

LED SLIM AREA LIGHTS
AR-MAL SERIES



280W Model

Fixture shown with Slipfitter Knuckle



Fixture shown with Straight Arm

60-140W Model



FEATURES:

- Replaces up to 750 PSMH equivalent
- Universal 120-277V dimming driver standard, 347-480V available
- Dusk-to-dawn and occupancy sensor compatible
- Greater than 100,000 hour L70 lifetime at TM21 standards at 25°C
- 5-year limited warranty

MOUNTING:

- 6" Extruded Straight Arm¹
- Trunnion Swivel
- 2-3/8" Slipfitter Knuckle

CONTROLS:

RPC Option: Allow the use of 3rd party distributed intelligence controllers designed to connect to the fixture via our NEMA standard C136.41 3-pin twist lock receptacle to provide dimming and On/Off control. Separate Photocontrol options are available, see page 4. **Receptacle does not come with photocell included. The photocell is sold separately.**

Photo/Motion Sensor: The FSP-211 uses passive infrared (PIR) sensing technology to react to changes in infrared energy (i.e. moving body heat) within the coverage area. This slim, low-profile sensor is designed for installation inside the bottom of a light fixture body and is ideal for outdoor environments. The sensor operates at 120V/230V-240V and single phase 277V. The motion sensor is fully adjustable with high and low dimmed light level options with optional dusk to dawn control. Sensor can be combined with various lenses to operate at mounting heights from 8' to 40'. Please refer to page 4 for the sensor's factory default settings. Factory settings can be adjusted via the FSIR-100, a wireless configuration tool. **Note that the sensor comes with photocell setting disabled and the FSIR-100 must be purchased if photocell functionality is desired.**

DIMENSIONS: Please see page 3 and 5 for dimension drawings.

PRODUCT DESCRIPTION:

Say goodbye to the clunky shoebox. The LED Slim Area Lights (AR-MAL) delivers class-leading efficacy in a lightweight design that can be effortlessly applied to new and retrofit outdoor projects. Offered in lumen packages ranging from 7,700lm to over 35,000lm, the AR-MAL Series achieves up to 129 lumens per watt while providing significant long-term energy and maintenance cost savings.

Please refer to the FSP-211 Supplementary Datasheet for more product information.

MODEL SELECTION		Typical order example: AR-MAL60UT550-BRA						
AR-MAL				-		BR		
FAMILY	NOMINAL WATTAGE	VOLTAGE	DISTRIBUTION	-	CCT	FINISH	MOUNTING	OPTIONS
AR-MAL= Medium Area Light	60= 60W, 150W PSMH equivalent 100= 100W, 250W PSMH equivalent 140= 140W, 400W PSMH equivalent 280= 280W, 750W PSMH equivalent	U= 120-277V H= 347-480V	T2= Type II T3= Type III T4= Type IV T5= Type V	-	40= 4000K 50= 5000K	BR= Bronze	A= Straight Arm ¹ K= 2-3/8" Slipfitter Knuckle T= Trunnion Swivel	(OMIT)= None MS= Daylight/Motion Sensor ³PC= NEMA 3-pin receptacle SS= 5kA Surge Suppressor ²

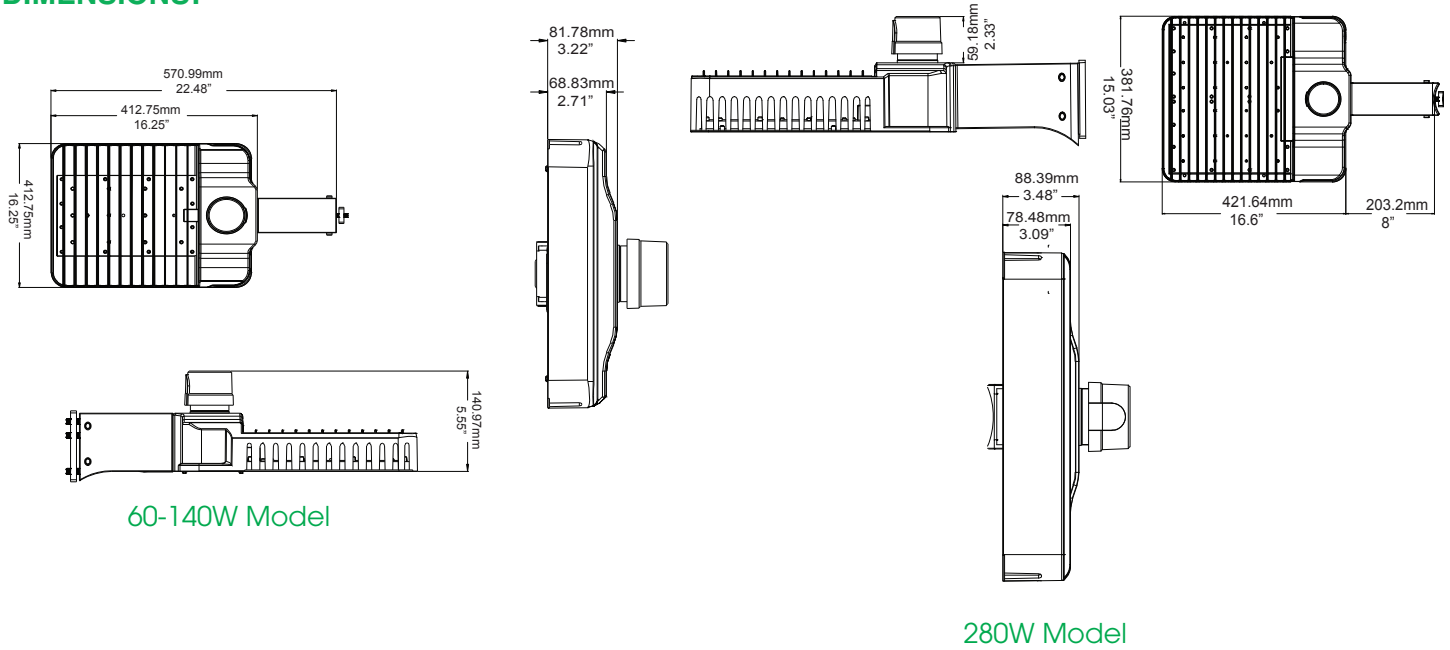
NOTES:

1. The straight arm mounting fits square poles. For compatibility with round poles, combine the straight arm mounting with a round pole adaptor. See adaptor selection table on next page.
2. Surge Suppressor only available with 120-277V models
3. **Receptacle does not come with photocell included. The photocell is sold separately. See page 4 for ordering options.**

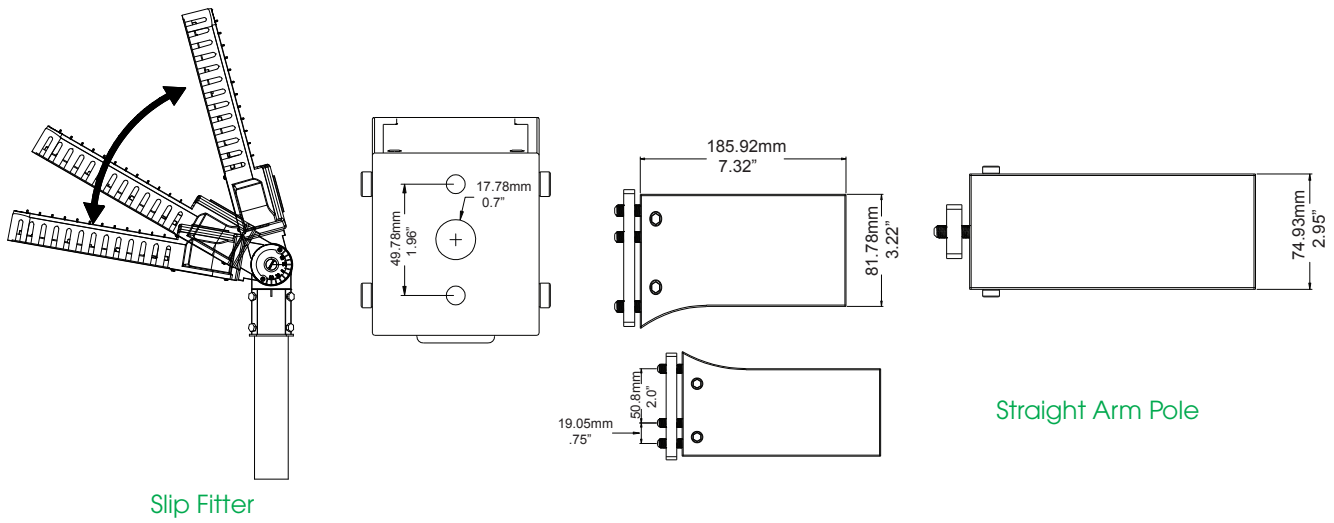
SPECIFICATIONS:

SPECIFICATIONS:				AR-MAL60	AR-MAL100	AR-MAL140	AR-MAL280
ITEM	SPECIFICATION			DETAILS			
GENERAL PERFORMANCE	Input Power (W)			60W	100W	140W	280W
	Type 3	4000K	Lumens	7,950	12,590	17,795	35,135
			BUG Rating	B2-U0-G2	B2-U0-G2	B3-U0-G3	B4-U0-G4
		5000K	Lumens	7,990	12,670	17,845	35,430
			BUG Rating	B2-U0-G2	B2-U0-G2	B3-U0-G3	B4-U0-G4
	Type 4	4000K	Lumens	7,725	12,760	17,400	32,900
			BUG Rating	B2-U0-G1	B3-U0-G2	B3-U0-G2	B4-U0-G3
		5000K	Lumens	7,700	12,775	17,475	34,090
			BUG Rating	B2-U0-G1	B3-U0-G2	B3-U0-G2	B4-U0-G3
	Type 5	4000K	Lumens	7,970	12,490	17,900	34,720
			BUG Rating	B3-U0-G1	B3-U0-G1	B4-U0-G1	B5-U0-G2
		5000K	Lumens	7,990	12,540	18,080	35,520
			BUG Rating	B3-U0-G1	B3-U0-G1	B4-U0-G1	B5-U0-G2
	Efficacy (lm/W)			118-133			
	CRI			≥75			
	Lumen Maintenance (L70, TM-21 @ 25°C)			≥100,000			
	Color Temperature			5000K standard; 4000K available			
Spacing Criteria			Available Upon Request				
Color Consistency			Proprietary Binning for Uniform Color				
ELECTRICAL	Power Factor (120V/277V)			>0.99/>0.89			
	Drive Current			150 mA			
	Input Voltage Range			120-277V; 347-480V			
PHYSICAL	Housing			Die-cast aluminium			
	Lens			Type II, Type III, Type IV, Type V - Frosted lens			
	Mounting			Slip Fitter, Straight Arm, Trunnion Mount options			
	Dimensions (Module)			22.48" L x 12.28" W x 3.22" H			24.6" L x 15.28" W 3.48" H
	Weight			16.1 lbs	16.3 lbs	17.0 lbs	24.8 lbs
	EPA (sq. ft)			0.43	0.43	0.43	0.49
	Operating Temperature			-40°F to 131°F (-40°C to 55°C)			
QUALIFICATIONS	Qualifications			DLC 4.2 Premium, cULus, T24 compliant, IP65			
	Material Usage			RoHS compliant; no mercury			
	Environment			Outdoor, Wet location			
	Warranty			5 years			

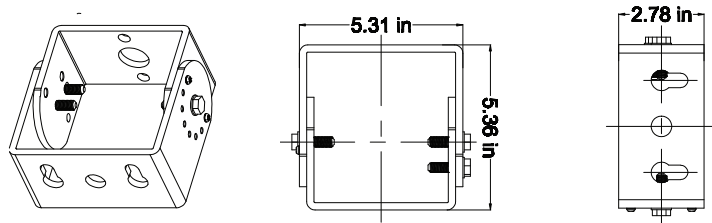
DIMENSIONS:



MOUNTING DIMENSIONS:



Trunion



ROUND POLE ADAPTORS⁴:

ORDER CODE	MODEL	DESCRIPTION
107846	AR-MAL-4RPA	4" Round Pole Adaptor for AR-MAL Series, to be used with straight arm
107847	AR-MAL-5RPA	5" Round Pole Adaptor for AR-MAL Series, to be used with straight arm

4. Round Pole Adaptors can only be used with Straight Arm Mounts

SENSOR DEFAULT SETTINGS:

FACTORY DEFAULTS	
High Mode	10V
Low Mode	1V
Time Delay	5 Min
Cut off	1 Hr
Sensitivity	Max

ACCESSORY ORDERING:

ITEM ACCESSORY	ITEM NAME	ITEM DESCRIPTION	ORDER CODE
Photocells	6390LBK	Twist-Lock Electronic Photocell 120/208/240/277V	72055
	6394LL	Twist-Lock Electronic Photocell 432-528VAC	1408292
Remote Control	FSIR-100	Remote Handheld Configuration Tool	102184
House Side Shields	AR-MAL-S-HS-B	House Side Shield for AR-MAL Series, Bronze Finish, Small Size compatible with 60W/100W/140W Models	1408947
	AR-MAL-L-HS-B	House Side Shield for AR-MAL Series, Bronze Finish, Small Size compatible with 280W Model	1408946

ORDERING:

ORDER CODE	MODEL	FINISH	VOLTAGE	DISTRIBUTION	NOMINAL WATTAGE	CCT
1409271	AR-MAL60UT3-40BRA	BRONZE	120-277	TYPE III	60	4000K
1409279	AR-MAL60UT3-40BRK	BRONZE	120-277	TYPE III	60	4000K
1409272	AR-MAL60UT3-50BRA	BRONZE	120-277	TYPE III	60	5000K
1409280	AR-MAL60UT3-50BRK	BRONZE	120-277	TYPE III	60	5000K
1409493	AR-MAL60UT4-40BRA	BRONZE	120-277	TYPE IV	60	4000K
1409494	AR-MAL60UT4-40BRK	BRONZE	120-277	TYPE IV	60	4000K
1409495	AR-MAL60UT4-50BRA	BRONZE	120-277	TYPE IV	60	5000K
1409496	AR-MAL60UT4-50BRK	BRONZE	120-277	TYPE IV	60	5000K
1409273	AR-MAL60UT5-40BRA	BRONZE	120-277	TYPEV	60	4000K
1409281	AR-MAL60UT5-40BRK	BRONZE	120-277	TYPEV	60	4000K
1409274	AR-MAL60UT5-50BRA	BRONZE	120-277	TYPEV	60	5000K
1409282	AR-MAL60UT5-50BRK	BRONZE	120-277	TYPEV	60	5000K
1409287	AR-MAL100UT3-40BRA	BRONZE	120-277	TYPE III	100	4000K
1409311	AR-MAL100UT3-40BRK	BRONZE	120-277	TYPE III	100	4000K
1409288	AR-MAL100UT3-50BRA	BRONZE	120-277	TYPE III	100	5000K
1409312	AR-MAL100UT3-50BRK	BRONZE	120-277	TYPE III	100	5000K
1409497	AR-MAL100UT4-40BRA	BRONZE	120-277	TYPE IV	100	4000K
1409498	AR-MAL100UT4-40BRK	BRONZE	120-277	TYPE IV	100	4000K
1409499	AR-MAL100UT4-50BRA	BRONZE	120-277	TYPE IV	100	5000K
1409500	AR-MAL100UT4-50BRK	BRONZE	120-277	TYPE IV	100	5000K
1409289	AR-MAL100UT5-40BRA	BRONZE	120-277	TYPEV	100	4000K
1409313	AR-MAL100UT5-40BRK	BRONZE	120-277	TYPEV	100	4000K
1409290	AR-MAL100UT5-50BRA	BRONZE	120-277	TYPEV	100	5000K
1409314	AR-MAL100UT5-50BRK	BRONZE	120-277	TYPEV	100	5000K
1409295	AR-MAL140UT3-40BRA	BRONZE	120-277	TYPE III	140	4000K
1409319	AR-MAL140UT3-40BRK	BRONZE	120-277	TYPE III	140	4000K
1409296	AR-MAL140UT3-50BRA	BRONZE	120-277	TYPE III	140	5000K
1409320	AR-MAL140UT3-50BRK	BRONZE	120-277	TYPE III	140	5000K
1409501	AR-MAL140UT4-40BRA	BRONZE	120-277	TYPE IV	140	4000K
1409502	AR-MAL140UT4-40BRK	BRONZE	120-277	TYPE IV	140	4000K
1409503	AR-MAL140UT4-50BRA	BRONZE	120-277	TYPE IV	140	5000K
1409504	AR-MAL140UT4-50BRK	BRONZE	120-277	TYPE IV	140	5000K
1409297	AR-MAL140UT5-40BRA	BRONZE	120-277	TYPEV	140	4000K
1409321	AR-MAL140UT5-40BRK	BRONZE	120-277	TYPEV	140	4000K
1409298	AR-MAL140UT5-50BRA	BRONZE	120-277	TYPEV	140	5000K
1409322	AR-MAL140UT5-50BRK	BRONZE	120-277	TYPEV	140	5000K
1409303	AR-MAL280UT3-40BRA	BRONZE	120-277	TYPE III	280	4000K
1409327	AR-MAL280UT3-40BRK	BRONZE	120-277	TYPE III	280	4000K
1409304	AR-MAL280UT3-50BRA	BRONZE	120-277	TYPE III	280	5000K
1409328	AR-MAL280UT3-50BRK	BRONZE	120-277	TYPE III	280	5000K
1409505	AR-MAL280UT4-40BRA	BRONZE	120-277	TYPE IV	280	4000K
1409506	AR-MAL280UT4-40BRK	BRONZE	120-277	TYPE IV	280	4000K
1409507	AR-MAL280UT4-50BRA	BRONZE	120-277	TYPE IV	280	5000K
1409508	AR-MAL280UT4-50BRK	BRONZE	120-277	TYPE IV	280	5000K
1409305	AR-MAL280UT5-40BRA	BRONZE	120-277	TYPEV	280	4000K
1409329	AR-MAL280UT5-40BRK	BRONZE	120-277	TYPEV	280	4000K
1409306	AR-MAL280UT5-50BRA	BRONZE	120-277	TYPEV	280	5000K
1409330	AR-MAL280UT5-50BRK	BRONZE	120-277	TYPEV	280	5000K

*Please contact your MaxLite representative to order products that don't have order codes listed here.

Phone: 1-800-555-5629 | Fax: 973-244-7333 | Web: www.maxlite.com | E-mail: info@maxlite.com

MAX16071

Revised: 12-14-17