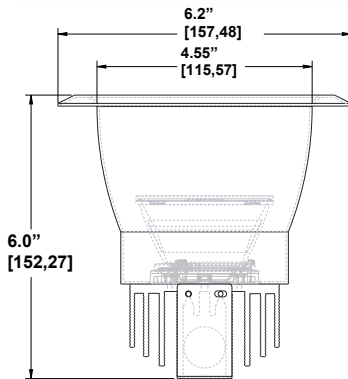


**LED 4" RECESSED ARCHITECTURAL SERIES**  
DLR4 SERIES



**FEATURES:**

- Universal Voltage 120-277V
- Mounts into existing recessed frame
- Optional retaining clips if existing frame does not have adequate friction springs to secure reflector
- min 80 CRI
- min 90% Power Factor
- A wide variety of CCTs available 3000K and 4000K come standard: 2700K, 3500K and 5000K by order
- Seven Years Limited Warranty
- Compatible with TRIAC (forward-phase or leading-edge) / ELV (reverse-phase or trailing-edge) 120V only and 0-10 V dimmers
- Flood beam standard. Spot beam by special order.
- L70 100khrs

**CONSTRUCTION:**

- Supplied with heavy gauge anodized aluminum reflector in a haze finish
- Reflectors have extended trims to conceal imperfections in drywall openings
- Extruded aluminum heatsinks for best thermal performance
- External driver for easy retrofit and maintenance
- Long lasting LED driver for maximum performance
- LED Driver Compliant with FCC CFR Title 47 Part 15 Class B (120 Vac)/Class A (277 Vac) and EN55015 (CISPR 15) at 220/230/240 Vac

**PHOTOMETRIC:** ALL .IES FILES AVAILABLE ONLINE. PLEASE SEE PAGE 4 FOR POLAR CANDELA LAYOUTS

**PRODUCT DESCRIPTION:**

The all improved Architectural Grade LED Downlight Retrofit Series is supplied with a quick connector and a conduit whip and fitter to make an easy connection to an existing recessed fixture frame junction box.

MODEL SELECTION (Full list of order codes on pg. 2)		Typical order example: DLR41530	
DLR	4		
FAMILY	SIZE	LUMEN PACKAGE	CCT
DLR= Downlight Retrofit	4= 4"	10= 10 15= 15 20= 20	30= 3000K 40= 4000K

**COMPATIBLE DIMMERS:**

	BRAND	MODEL	DIMMING	NOTE
Triac (120V)	Lutron	DCVL-153P*	3 to 100%	*Pop on is a situation that arises when the lights cannot be turned on immediately to their minimum level.
		DV-600P*	8 to 100%	
		TGCL-153P	7 to 100%	
		S-600P*	3 to 100%	
		LG-600P*	9 to 100%	
	Leviton	6631-2*	1 to 100%	
		6683-1W*	8 to 100%	
		6633-P*	2 to 100%	
	Cooper	DLC03P	3 to 100%	
		SLL03P	2 to 100%	
		DAL06P	2 to 100%	

	BRAND	MODEL	DIMMING
0-10V	Lutron DIVA	DVTV	10-100%
	Lutron NOVA	NVTV	
	Lutron NOVAT	NTFTV W/PP20	
	Leviton RENOIR II	AWRMG-7XX	
		AWSMG-7XX	
	Leviton	IP710-LFZ/DLX	

**SPECIFICATIONS:**

ITEM	SPECIFICATION	DLR41030		DLR41040		DLR41530		DLR41540		DLR42030		DLR42040	
		DETAILS		DETAILS		DETAILS		DETAILS					
<b>GENERAL PERFORMANCE</b>	Power Consumption (W)	11.6	11	20.4	20	29.7	28						
	Lumens Delivered (lm)	1,130	1,120	1,840	1,800	2,360	2,300						
	Efficacy (lm/W)	97	102	90	90	79	82						
	Color Temperature	3000, 4000 (Additional CCT available, contact MaxLite for info.)											
	L70 Lifetime (hours)	100,000											
	Color Consistency	Proprietary binning for uniform color											
	CRI	Minimum 80											
<b>ELECTRICAL</b>	Power Factor	> 90%											
	Input Voltage	120-277V											
	Compatible Dimmers	Refer to list of approved dimmers											
	Mounting	Mounts into existing recessed frame											
	Operating Temperature	-4° to 113°F											
	Humidity	20% - 85% RH, non-condensing											
<b>CERTIFICATION</b>	Certification	cULus, Energy Star, FCC											
	Material Usage	RoHS compliant; no mercury											
	Environment	Damp											
	Warranty	Seven Years Limited Warranty											

Preliminary Data until LM79 is available

**ORDERING\*:**

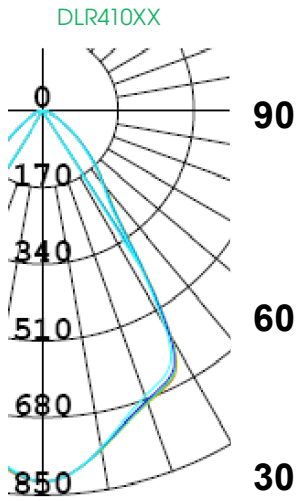
ORDER CODE	MODEL	DESCRIPTION	CCT
76410	DLR41030	4" Architectural Downlight, 1000 Lumens	3000K
75515	DLR41040	4" Architectural Downlight, 1000 Lumens	4000K
75530	DLR41530	4" Architectural Downlight, 1500 Lumens	3000K
75540	DLR41540	4" Architectural Downlight, 1500 Lumens	4000K
75555	DLR42030	4" Architectural Downlight, 2000 Lumens	3000K
75565	DLR42040	4" Architectural Downlight, 2000 Lumens	4000K

\*Please contact your MaxLite representative to order products that don't have order codes listed here.

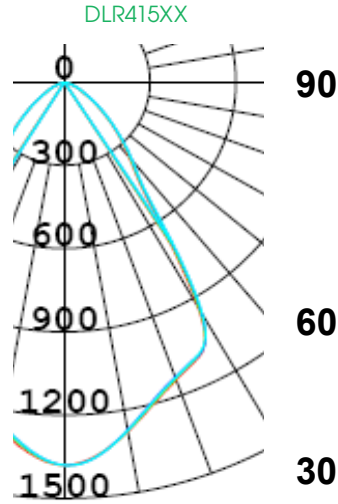
LUMEN MULTIPLIER	
2700K	1.000
3000K	1.047
3500K	1.073
4000K	1.097
5000K	1.118

BASELINE VALUES AND REPLACEMENTS		
DLR41027	975	26W CFL
DLR41527	1650	32W CFL
DLR42027	2200	(2) 26W CFL

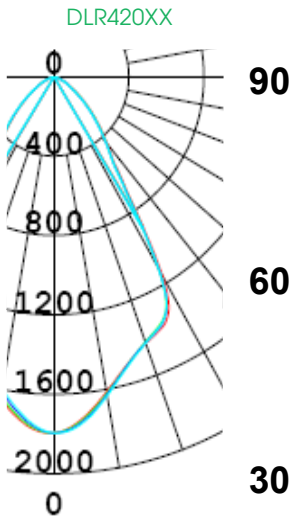
**PHOTOMETRIC DIAGRAM:**



DLR410XX	
ANGLE	MEAN CP
0	821
5	803
10	761
15	718
20	689
25	668
30	577
35	311
40	218
45	165
50	118
55	80
60	52
65	35
70	19
75	10
80	5
85	1
90	0



DLR415XX	
ANGLE	MEAN CP
0	1,380
5	1,343
10	1,269
15	1,193
20	1,132
25	1,086
30	922
35	492
40	346
45	259
50	184
55	124
60	77
65	51
70	24
75	10
80	4
85	0
90	0



DLR420XX	
ANGLE	MEAN CP
0	1,795
5	1,730
10	1,613
15	1,504
20	1,432
25	1,383
30	1,151
35	634
40	442
45	333
50	240
55	162
60	104
65	70
70	36
75	18
80	7
85	1
90	0