

ModMax High Output Flood
MM SERIES



630W FLOOD



PRODUCT DESCRIPTION:

ModMax is a highly flexible, modular flood and sports lighting solution designed to replace metal halide fixtures up to 1500W. ModMax is specifiable in two-row, 105W modules, in a six module configuration. Each row of modules is customizable with one of three available optical distributions: narrow, medium or wide. Double pivot heads allow each row, and the luminaire's carriage, to be independently aimed for precise lighting aim. ModMax is available in arch yoke and highbay mounting options.

FEATURES:

- Discrete modules allow for precision aiming
- Available with 3 possible beam distributions
- Double pivot aiming where each row of modules, and the luminaire's carriage can also be independently aimed
- CRI: ≥85
- Operating Temperature: -22°F to 122°F
- L70 lifetime >100,000 hours

CONSTRUCTION:

- Steel carriage for high bay and arch yoke mounts
- Independent aluminum heatsinking for each module
- Polyester TGIC powder coat finish

MOUNTING:

- Arch Yoke: suitable for surface mounting (Dimensions available on page 4)
- Pole Mount: 2-3/8" fixed sliptfitter suitable for pole mounting applications.

DIMENSIONS: See page 3 for dimensions

MODEL SELECTION		Typical order example: MM630UWW50FDG				
MM	630			50		DG
FAMILY	NOMINAL WATTAGE, EQUIVALENCY	VOLTAGE	DISTRIBUTION	CCT	MOUNTING BRACKET	FINISH
MM= ModMax	630 = 630W, 1500W MH equivalent	U= 120-277V H= 347-480V	WW= 57° Wide NN= 20° Narrow MM= 40° Medium	50= 5000K	F= Arch Yoke P= Pole Mount (2-3/8" Tennon)	DG= Dark Gray (Std)

SPECIFICATIONS:

MM630UXXXXXX

ITEM	SPECIFICATION	DETAILS
GENERAL PERFORMANCE	Input Power (W)	629
	Lumens Delivered, Narrow Distribution (lm)	61,800
	Lumens Delivered, Medium Distribution (lm)	61,140
	Lumens Delivered, Wide Distribution (lm)	62,260
ELECTRICAL	Efficacy (lm/W)	85-99
	Color Temperature	5000K
	CRI	≥85
PHYSICAL	Lumen Maintenance (L70, TM-21 @ 25°C)	100,000 hours
	Input Voltage	120-277V standard; 347-480V available
	THD	<12%
	Power Factor (277V)	≥0.9
	Weight (lbs)	48.5
	Effective Projected Area (High Bay)	3 ft ²
	Effective Projected Area	3.5 ft ²
	Housing	SMPS Cover, Carriage: Steel; Heatsinks: Aluminum
	Lens	Tempered Glass Lens
	Operating Temperature	-22°F to 122°F (-30°C to 50°C)
QUALIFICATION	Humidity	>90%, Non-condensing
	Finish	Dark Gray standard
	Qualifications	DLC 4.1 Standard, cULus, LM-79, LM-80, TM-21, IP66
	Environment	Outdoor wet location
	Warranty	5 years

ORDERING*:

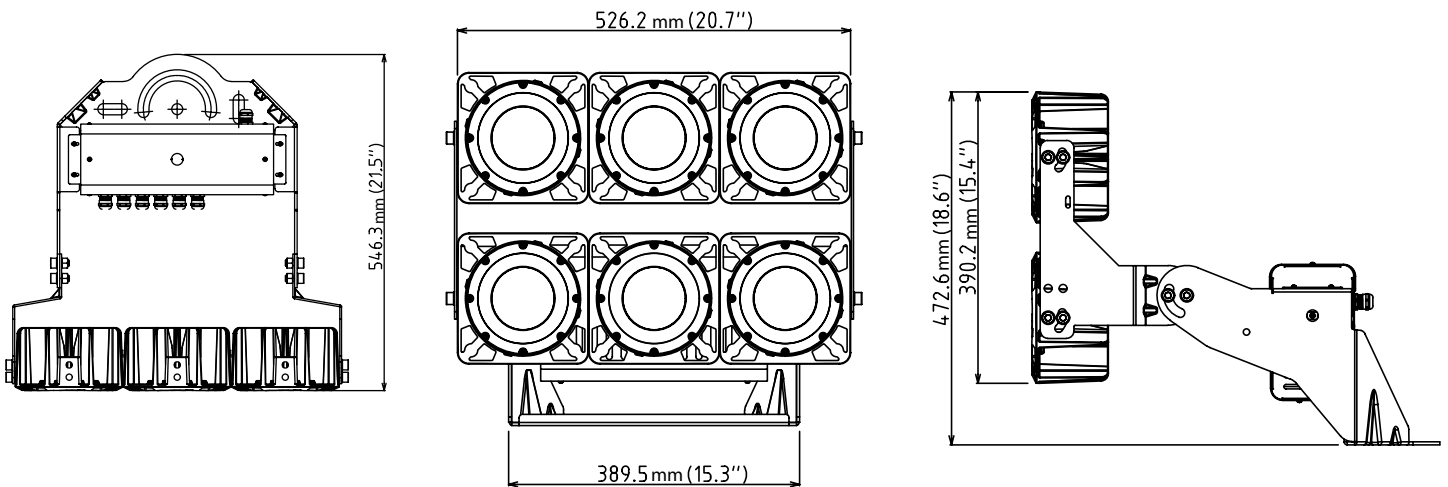
ORDER CODE	MODEL	MOUNTING	VOLTAGE	DISTRIBUTION	CCT	NOMINAL WATTAGE
101409	MM630UJWW50FDG	Arch Yoke, Flood	120-277V	Wide	5000K	630W

*Please contact your MaxLite representative to order products that don't have order codes listed here.

EPA SPECIFICATIONS:

MODMAX 630W FLOOD LIGHT	
90 deg.	EPA
	3.21
80 deg.	EPA
	3.03
70 deg.	EPA
	2.82
60 deg.	EPA
	2.58
50 deg.	EPA
	2.41
40 deg.	EPA
	2.17
30 deg.	EPA
	1.87
20 deg.	EPA
	1.85
10 deg.	EPA
	1.79

FLOOD DIMENSIONS:



630W FLOOD