

# MaxLite® StaxMax™ LED Flood Lights



**Input Rating**  
**120V-277V 50/60Hz**  
(347/480v optional)

**Wet Location Rated**  
**IP65**

**Operating temperature**  
**-22°F to 105°F**



---

## General Safety Information

### ▲ CAUTION

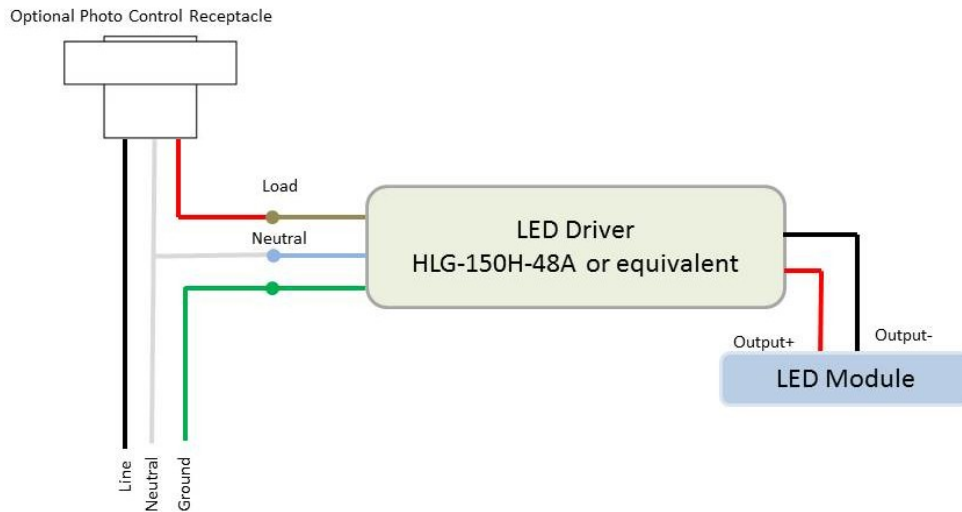
1. READ AND FOLLOW ALL SAFETY INSTRUCTIONS.
2. Review the diagrams thoroughly before beginning.
3. All electrical connections must be in accordance with local codes, ordinance, and the National Electric Code. If you are unfamiliar with methods of installing electrical wiring, secure the services of a qualified licensed electrician.
4. Before starting the installation, disconnect the power by turning off the circuit breaker or by removing the appropriate fuse at the fuse box. Turning the power off using the light switch is not sufficient to prevent electrical shock.
5. Equipment should be mounted in location and at heights where it will not readily be subject to tampering by unauthorized personnel.
7. Do not use this equipment for other than intended use.
8. All servicing should be performed by qualified personnel only.

### ▲ WARNING

1. WARNING - Risk of fire or electric shock. Install this flood only in the luminaires that has the construction features and dimensions shown in the photographs and/or drawings.
2. WARNING - Do not make or alter any open holes in an enclosure of wiring or electrical components during MaxLite® StaxMax™ LED Flood Lights installation
3. WARNING - Risk of fire or electric shock. MaxLite® StaxMax™ LED Flood Lights installation requires knowledge of the lighting luminaires electrical systems. If not qualified, do not attempt installation. Contact qualified electrician.

# MaxLite® StaxMax™ LED Flood Lights Driver Wiring Diagram

## Single Head:



### **▲WARNING**

1. All units must be individually connected to the AC supply (120-277 VAC):  
Black = Line  
White = Neutral  
Green = Ground
2. Line connection to be made to switch lead from source.

**Driver Replacements:** Contact your local MaxLite® representative or MaxLite® to receive replacements for drivers.

**Step 1:** Disconnect the power by turning off the circuit breaker or by removing the appropriate fuse at the fuse box.

*\*Turning the power off using the light switch is not sufficient to prevent electrical shock.*

**Step 2:** Disconnect the black LED Module connector to disconnect Module from driver.

**Step 3:** Remove four (4) screws and front plate from connector box to expose wire connections.

**Step 4:** Disconnect all wiring connections.

**Step 5:** Loosen up nylon liquid tight strain relief fitting to remove driver cord.

**Step 6:** Unscrew two (2) screws to remove driver cover.

**Step 7:** Remove four (4) screws to dismount driver from driver plate.

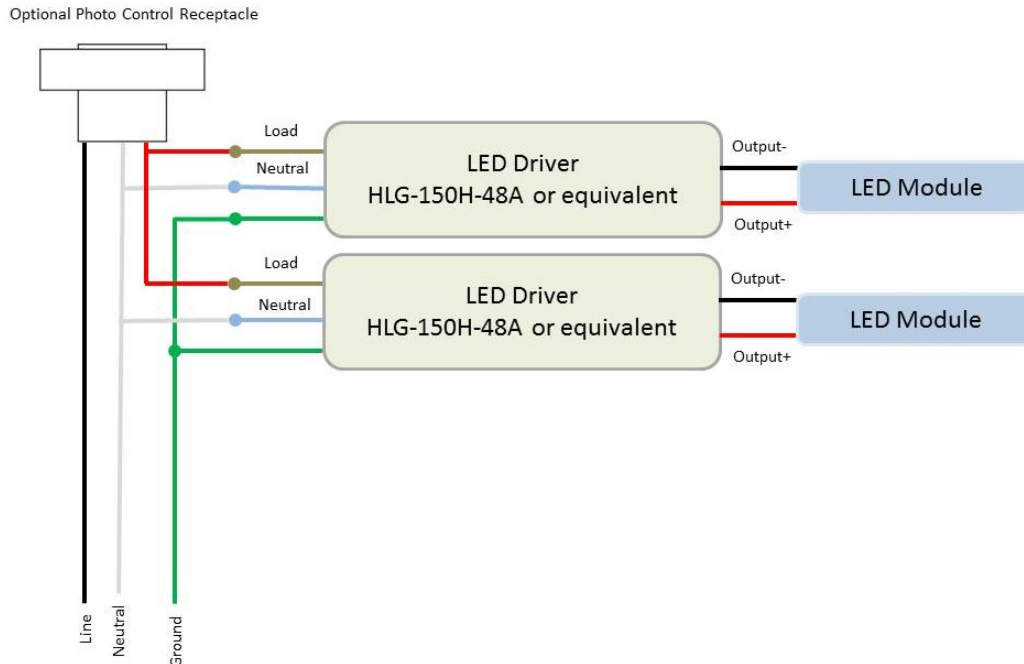
**Step 8:** Remove screw for strain relief clip attached to mounting bracket of driver plate.

**Step 9:** Replace with new driver.

**Step 10:** Reverse steps 9 to 3 to assemble fixture.

**Step 11:** Restore Power.

## Double Head:



### ▲WARNING

1. All units must be individually connected to the AC supply (120-277 VAC):  
Black = Line  
White = Neutral  
Green = Ground
2. Line connection to be made to switch lead from source.

**Driver Replacements:** Contact your local MaxLite® representative or MaxLite® to receive replacements for drivers.

**Step 1:** Disconnect the power by turning off the circuit breaker or by removing the appropriate fuse at the fuse box.

*\*Turning the power off using the light switch is not sufficient to prevent electrical shock.*

**Step 2:** Disconnect the black LED Module connector to disconnect Module from driver.

**Step 3:** Remove four (4) screws and front plate from connector box to expose wire connections.

**Step 4:** Disconnect all wiring connections.

**Step 5:** Loosen up nylon liquid tight strain relief fitting to remove driver cord.

**Step 6:** Unscrew two (2) screws to remove driver cover.

**Step 7:** Remove four (4) screws to dismount driver from driver plate.

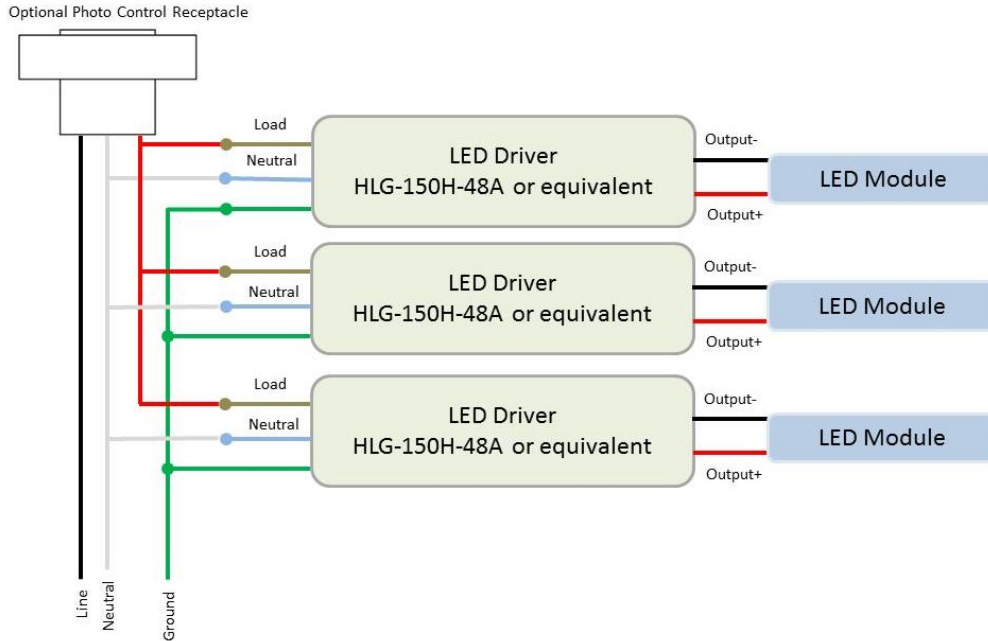
**Step 8:** Remove screw for strain relief clip attached to mounting bracket of driver plate.

**Step 9:** Replace with new driver.

**Step 10:** Reverse steps 9 to 3 to assemble fixture.

**Step 11:** Restore Power.

## Triple Head:



### ▲ WARNING

1. All units must be individually connected to the AC supply (120-277 VAC):  
Black = Line  
White = Neutral  
Green = Ground
2. Line connection to be made to switch lead from source.

**Driver Replacements:** Contact your local MaxLite® representative or MaxLite® to receive replacements for drivers.

**Step 1:** Disconnect the power by turning off the circuit breaker or by removing the appropriate fuse at the fuse box.

*\*Turning the power off using the light switch is not sufficient to prevent electrical shock.*

**Step 2:** Disconnect the black LED Module connector to disconnect Module from driver.

**Step 3:** Remove four (4) screws and front plate from connector box to expose wire connections.

**Step 4:** Disconnect all wiring connections.

**Step 5:** Loosen up nylon liquid tight strain relief fitting to remove driver cord.

**Step 6:** Unscrew two (2) screws to remove driver cover.

**Step 7:** Remove four (4) screws to dismount driver from driver plate.

**Step 8:** Remove screw for strain relief clip attached to mounting bracket of driver plate.

**Step 9:** Replace with new driver.

**Step 10:** Reverse steps 9 to 3 to assemble fixture.

**Step 11:** Restore Power.

## Leveling Instructions

### **For Module Leveling:**

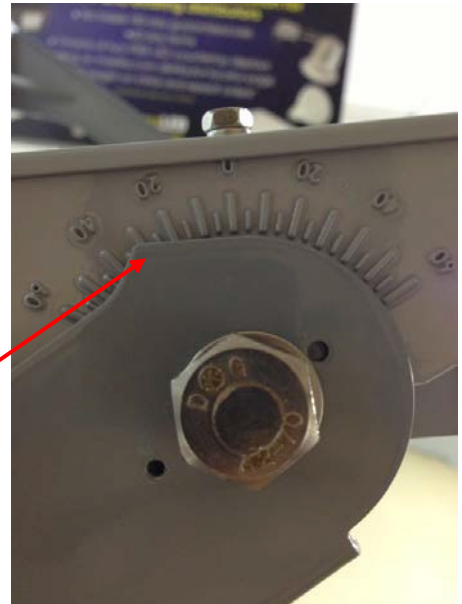
Use arrow tip located on mounting bracket as reference guide for leveling each LED module individually.

Angle adjustment indicators (side protractor) can be found on casting.

-60 DEG to 60 DEG options.

MAX TORQUE SETTING = 25 ft.lb

Arrow tip indicator



### **For Arm Leveling:**

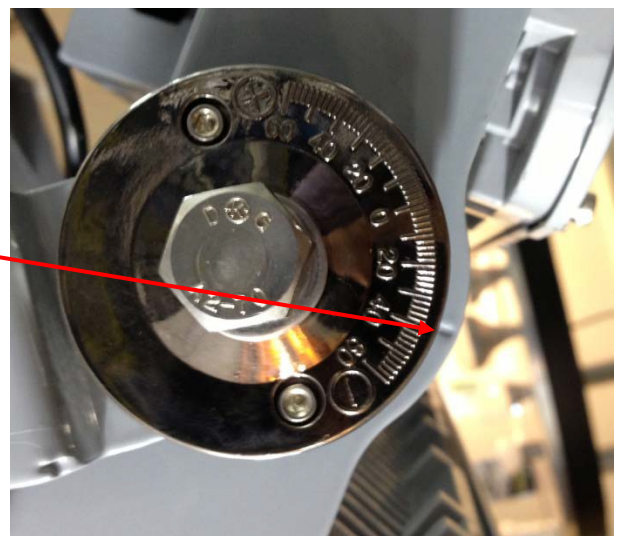
Use dimple located on end of arm as reference guide for leveling LED light fixture.

Angle adjustment indicators can be found on Adjustment Angle Dial for Arm.

-60 DEG to 60 DEG options.

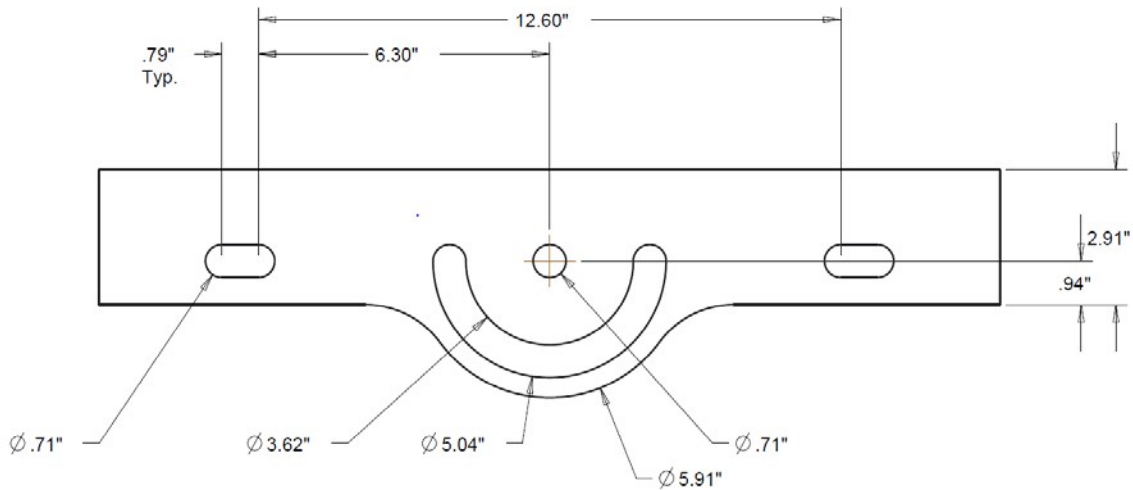
MAX TORQUE SETTING = 25 ft.lb

dimple indicator

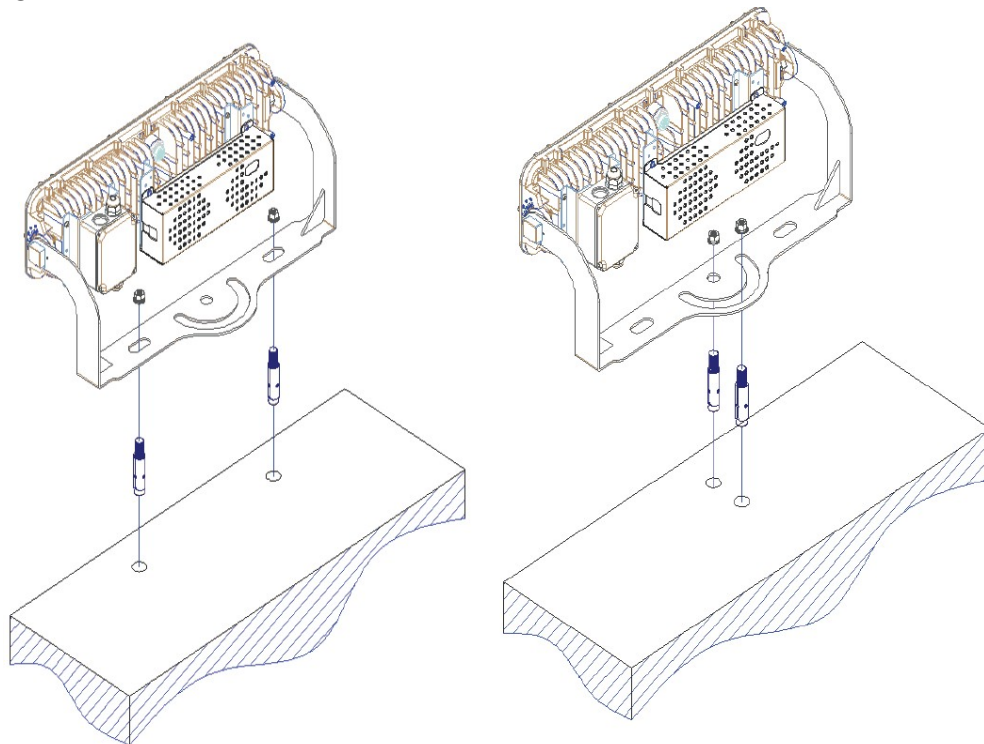


## Mounting Instructions

1. Drill holes for mounting using template below.



2. Use appropriate bolt size to mount either method. Secure and torque per selected bolt specifications.



3. Follow Connecting Power procedures after mounting (see page 4 to 6).
4. Restore power.

## **Warranty**

CUSTOMER'S SOLE AND EXCLUSIVE REMEDY WITH RESPECT TO ANY CLAIM OR DAMAGE ARISING OUT OF, OR IN CONNECTION WITH, THE SALE OF ANY PRODUCT, OR ANY BREACH BY MAXLITE OF ITS OBLIGATIONS WITH RESPECT THERETO, SHALL BE LIMITED TO REPLACEMENTS OF THE PRODUCTS OR REFUND OF THE PURCHASE PRICE PAID BY CUSTOMER TO MAXLITE FOR THE PRODUCTS, AT MAXLITE'S SOLE DISCRETION, PROVIDED, HOWEVER, MAXLITE SHALL HAVE NO LIABILITY WHATSOEVER TO CUSTOMER UNLESS (I) CUSTOMER HAS COMPLIED WITH THE REQUIREMENTS HEREUNDER FOR MAKING A CLAIM, (II) THE PRODUCTS ARE FOUND TO BE DEFECTIVE BY MAXLITE AND (III) CUSTOMER HAS PAID FOR THE PRODUCTS IN FULL WHEN DUE.

MAXLITE HEREBY EXPRESSLY DISCLAIMS ANY WARRANTY OF MERCHANTABILITY OR FITNESS FOR A PARTICULAR PURPOSE AND MAKES NO OTHER WARRANTIES TO CUSTOMER, EXPRESS OR IMPLIED, EXCEPT AS SPECIFICALLY PROVIDED FOR HEREIN.

UNDER NO CIRCUMSTANCES SHALL MAXLITE BE LIABLE TO CUSTOMER FOR ANY PUNITIVE OR EXEMPLARY DAMAGES OR ANY CONSEQUENTIAL, INCIDENTAL, INDIRECT, OR SPECIAL DAMAGES (INCLUDING, WITHOUT LIMITATION, DAMAGES FOR LOSS OF USE, PROFITS, REVENUE OR BUSINESS) ARISING FROM, OR IN ANY WAY RELATED TO, THE SALE, USE OF, OR INABILITY TO USE THE PRODUCTS, NOTWITHSTANDING ANY FAILURE OF ESSENTIAL PURPOSE OF ANY LIMITED REMEDY HEREIN. THIS EXCLUSION SHALL APPLY REGARDLESS OF WHETHER SUCH DAMAGES ARE SOUGHT BASED ON BREACH OF CONTRACT, BREACH OF WARRANTY, NEGLIGENCE, STRICT LIABILITY IN TORT, OR ANY OTHER LEGAL OR EQUITABLE THEORY.

MaxLite's obligation under this warranty shall be limited to, at its sole option, repairing or replacing defective products at its discretion. All repairs must be performed in MaxLite's Factory. MaxLite will ship repaired/replacement drivers/fixtures to the Buyer at MaxLite's expense.

This warranty is subject to the terms and conditions of sale applicable to the initial purchase of the product from MaxLite, which shall take precedent.

For questions about this warranty, please contact your local MaxLite Representative or MaxLite at 1-800-555-5629 or [info@maxlite.com](mailto:info@maxlite.com) or visit [www.maxlite.com](http://www.maxlite.com)

# MaxLite® StaxMax™ LED Flood Lights



## General Safety Information

- To reduce the risk of death, personal injury or property damage from fire, electric shock, falling parts, cuts/abrasions, and other hazards read all warnings and instructions included with and on the fixture box and all fixture labels.
- Before installing, servicing, or performing routine maintenance upon this equipment, follow these general precautions.
- Commercial installation, service and maintenance of luminaires should be performed by a qualified licensed electrician.
- For Residential installation: If you are unsure about the installation or maintenance of the luminaires, consult a qualified licensed electrician and check your local electrical code.
- **DO NOT INSTALL DAMAGED PRODUCT!**
- This fixture is intended to be connected to a properly installed and grounded UL listed junction box.



Picture is for illustration purposes only. Your model may vary.

### **WARNING:**

#### RISK OF ELECTRICAL SHOCK

- Turn off electrical power at fuse or circuit breaker box before wiring fixture to the power supply.
- Turn off the power when you perform any maintenance.
- Verify that supply voltage is correct by comparing it with the luminaire label information.
- Make all electrical and grounded connections in accordance with the National Electrical Code and any applicable local code requirements.
- All wiring connections should be capped with UL approved wire connectors.

### **CAUTION:**

#### RISK OF INJURY

- Wear gloves and safety glasses at all times when removing luminaire from carton, installing, servicing or performing maintenance.
- Avoid direct eye exposure to the light source while it is on.
- Account for small parts and destroy packing material, as these may be hazardous to children.

### **CAUTION:**

#### RISK OF FIRE

- Keep combustible and other materials that can burn away from luminaire and lamp/lens.
- MIN 90°C SUPPLY CONDUCTORS.

***Illustrations on the manual are for installation purposes only. It may not be identical to the fixture purchased.***

## Component Summary

Part	Illustration	Qty.	No.	Part	Illustration	Qty.	No.
StaxMAX		*1	1	Split Lock		6	5
HBMB		1	2	Flat Washer		*8	6
PTMB		1	3	Screw		*8	7
Nut		*8	4	Screw		6	8

\*Component quantity increases for each additional unit being



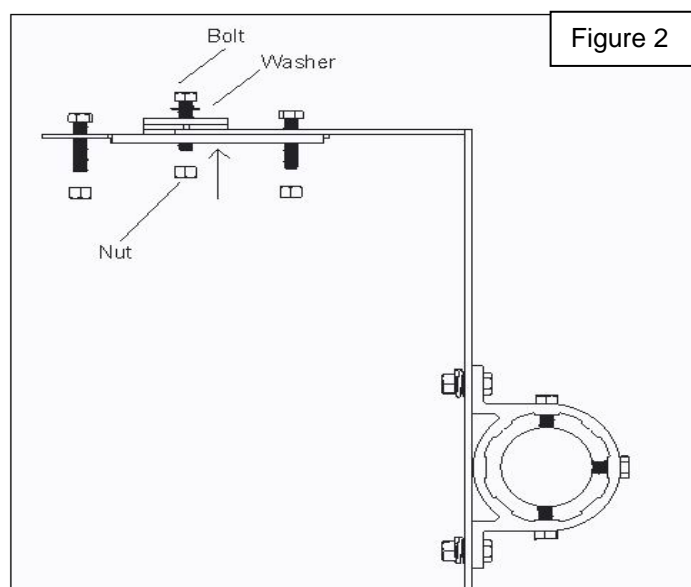
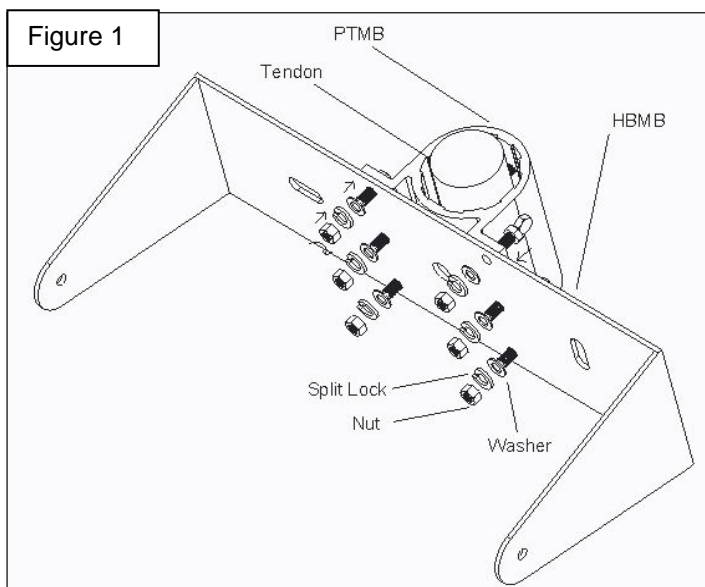
# MaxLite® StaxMax™ LED Flood Lights



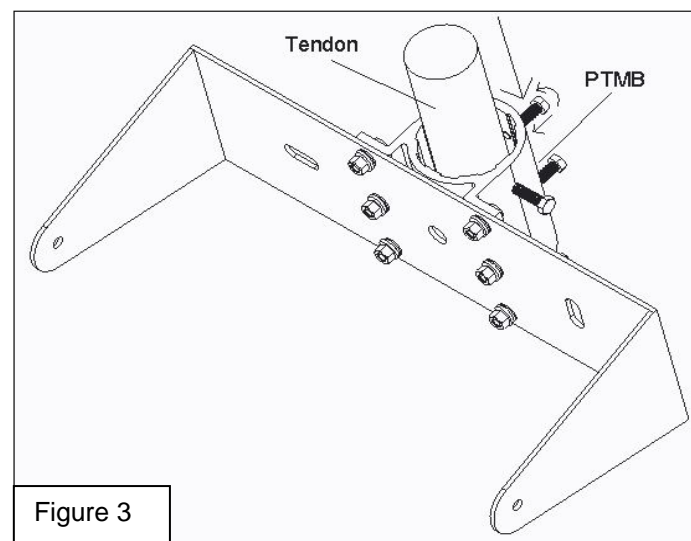
## Mounting Instructions

Before installation, ensure if power supply is disconnected. Cables must be connected in accordance to instruction and proper standing rules. Read through entire installation process before beginning.

1. Mounting of the pole tenon mounting bracket to the fixture mounting bracket requires the merging of components 2 and 3. As depicted in **Figure 1**, one unit of component 4, 5, 6, and 8 are fastened together in this order for all (6) mounting points.
2. The LED modules are then joined to the mounting bracket utilizing one unit of component 4, 6, and 7 at each end of the HBMB bracket (component 2). **See Figure 2**



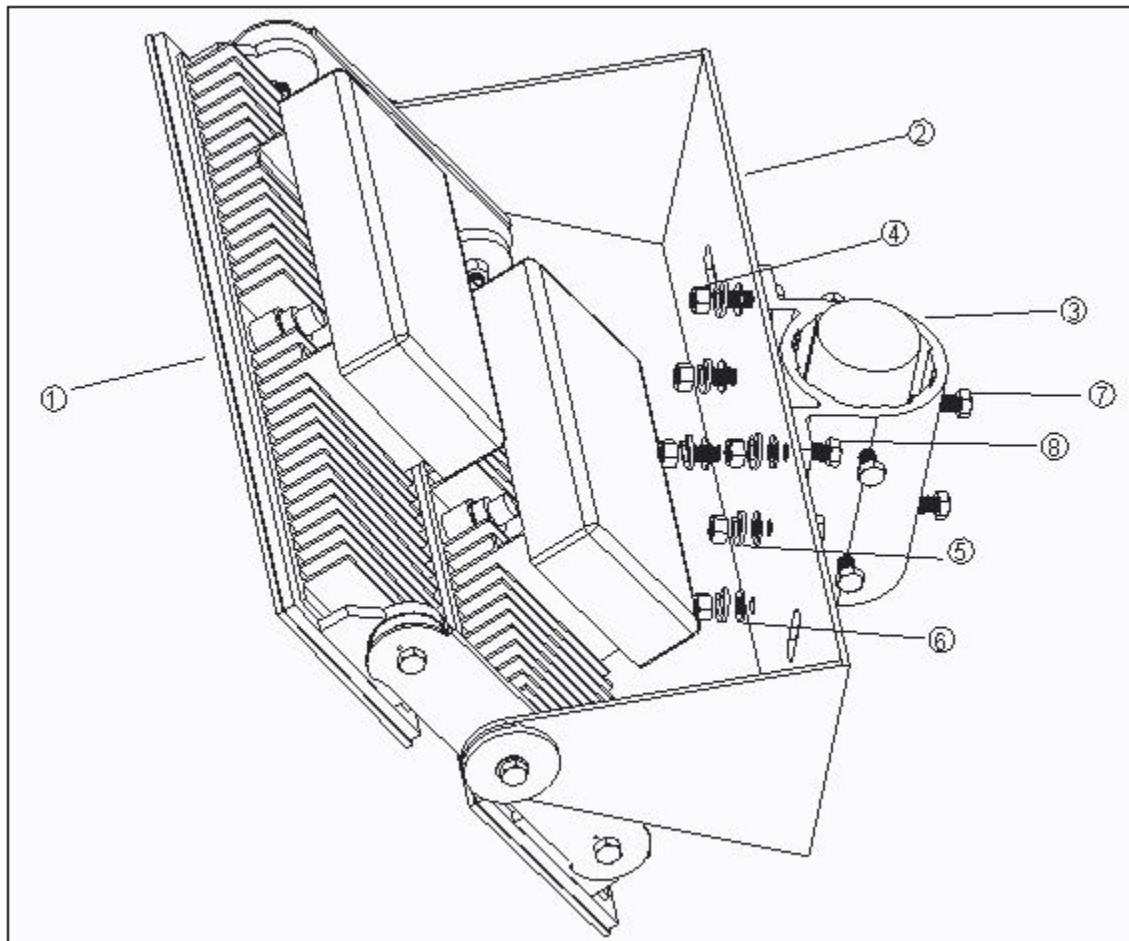
3. Use arrow tip located on mounting bracket as reference guide for leveling each LED module individually. Angle adjustment indicators (side protractor) can be found on casting. -60 Deg. to 60 Deg. options with a max torque setting of 25 ft. lb.
4. Level the LED fixture to desired angle. . -60 Deg. to 60 Deg. options with a max torque setting of 25 ft. lb.
5. Securing the bracket assembly to the desired mounting pole requires (7) set screws, component 7. **See Figure 3**
6. Supply AC power to the LED Flood Light.
7. Enjoy your new StaxMax LED High Output Flood Light.



# MaxLite® StaxMax™ LED Flood Lights



**Exploded View:**



## Warranty

CUSTOMER'S SOLE AND EXCLUSIVE REMEDY WITH RESPECT TO ANY CLAIM OR DAMAGE ARISING OUT OF, OR IN CONNECTION WITH, THE SALE OF ANY PRODUCT, OR ANY BREACH BY MAXLITE OF ITS OBLIGATIONS WITH RESPECT THERETO, SHALL BE LIMITED TO REPLACEMENTS OF THE PRODUCTS OR REFUND OF THE PURCHASE PRICE PAID BY CUSTOMER TO MAXLITE FOR THE PRODUCTS, AT MAXLITE'S SOLE DISCRETION, PROVIDED, HOWEVER, MAXLITE SHALL HAVE NO LIABILITY WHATSOEVER TO CUSTOMER UNLESS (I) CUSTOMER HAS COMPLIED WITH THE REQUIREMENTS HEREUNDER FOR MAKING A CLAIM, (II) THE PRODUCTS ARE FOUND TO BE DEFECTIVE BY MAXLITE AND (III) CUSTOMER HAS PAID FOR THE PRODUCTS IN FULL WHEN DUE. MAXLITE HEREBY EXPRESSLY DISCLAIMS ANY WARRANTY OF MERCHANTABILITY OR FITNESS FOR A PARTICULAR PURPOSE AND MAKES NO OTHER WARRANTIES TO CUSTOMER, EXPRESS OR IMPLIED, EXCEPT AS SPECIFICALLY PROVIDED FOR HEREIN. UNDER NO CIRCUMSTANCES SHALL MAXLITE BE LIABLE TO CUSTOMER FOR ANY PUNITIVE OR EXEMPLARY DAMAGES OR ANY CONSEQUENTIAL, INCIDENTAL, INDIRECT, OR SPECIAL DAMAGES (INCLUDING, WITHOUT LIMITATION, DAMAGES FOR LOSS OF USE, PROFITS, REVENUE OR BUSINESS) ARISING FROM, OR IN ANY WAY RELATED TO, THE SALE, USE OF, OR INABILITY TO USE THE PRODUCTS, NOTWITHSTANDING ANY FAILURE OF ESSENTIAL PURPOSE OF ANY LIMITED REMEDY HEREIN. THIS EXCLUSION SHALL APPLY REGARDLESS OF WHETHER SUCH DAMAGES ARE SOUGHT BASED ON BREACH OF CONTRACT, BREACH OF WARRANTY, NEGLIGENCE, STRICT LIABILITY IN TORT, OR ANY OTHER LEGAL OR EQUITABLE THEORY.

This warranty is subject to the terms and conditions of sale applicable to the initial purchase of the product from MaxLite, which shall take precedent. For questions about this warranty, please contact your local MaxLite Representative or MaxLite at 1-800-555-5629 or [info@maxlite.com](mailto:info@maxlite.com) or visit [www.maxlite.com](http://www.maxlite.com)