

## Operating Instructions

*Please read and save these instructions. Read through this owner's manual carefully before using product. Protect yourself and others by observing all safety information, warnings, and cautions. Failure to comply with instructions could result in personal injury and/or damage to product or property. Please retain instructions for future reference.*

\*Picture is for illustration purposes only.  
Your model may vary.

### Controls

With the standard integrated driver, the panels operate with a standard 0-10V wall control, MaxLite IR dimmer (not included) for wall control dimming.

Up to 20 panels can be linked to each master panel using 18/20 AWG for control wires.



### General Safety Information

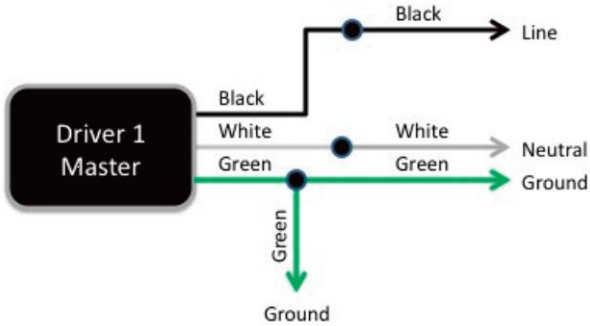
#### **CAUTION** READ AND FOLLOW ALL SAFETY INSTRUCTIONS.

1. Review the diagrams thoroughly before beginning.
2. Two people recommended for installation
3. All electrical connections must be in accordance with local codes, ordinance, and the National Electric Code. If you are unfamiliar with methods of installing electrical wiring, secure the services of a qualified licensed electrician.
4. Before starting the installation, disconnect the power by turning off the circuit breaker or by removing the appropriate fuse at the fuse box. Turning the power off using the light switch is not sufficient to prevent electrical shock.
5. Equipment should be mounted in locations and at heights where it will not readily be subject to tampering by unauthorized personnel.
6. Do not use this equipment for other than intended use.
7. All servicing should be performed by qualified personnel.

**WARNING** – Risk of fire or electric shock. Installation requires knowledge of the lighting luminaires electrical systems. If not qualified, do not attempt installation and contact a qualified electrician.

**WARNING** - Do not make or alter any open holes in an enclosure of wiring or electrical components during installation

## Wiring Diagram



### Connecting Driver to AC source supply:

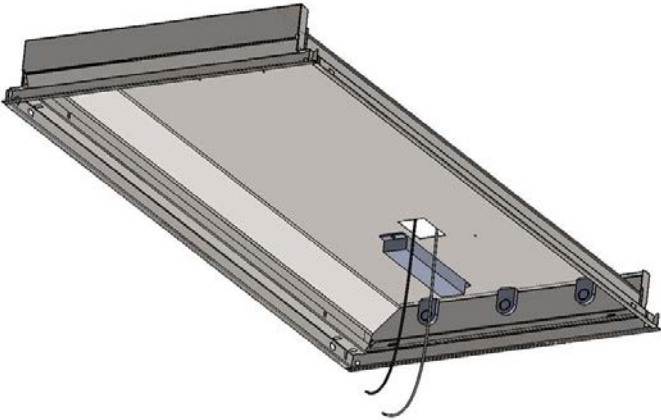
Operating temp: -30 F to 130F

#### **▲ WARNING**

1. All units must be individually connected to the AC supply (120-277 VAC):  
Black = Line  
White = Neutral  
Green = Ground
2. Line connection to be made to switch lead from source.

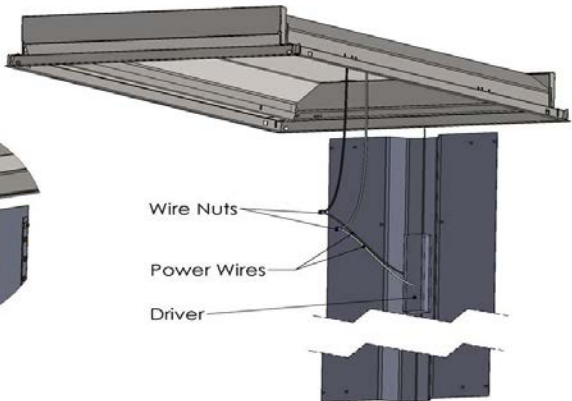
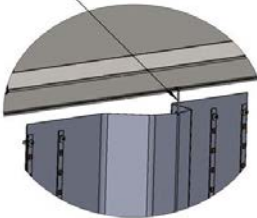
### Installation

1. Remove diffuser, fluorescent tubes and all other internal components. Disconnect fluorescent ballast from power wires.



2. Use safety "S" hook provided to hang Retrofit Kit to the edge of existing fixture. Once secure, attach existing power wires to Retrofit Kit power wires (Black to Black and White to White).

Use safety cable with clip to hang Retrofit kit on edge of fixture

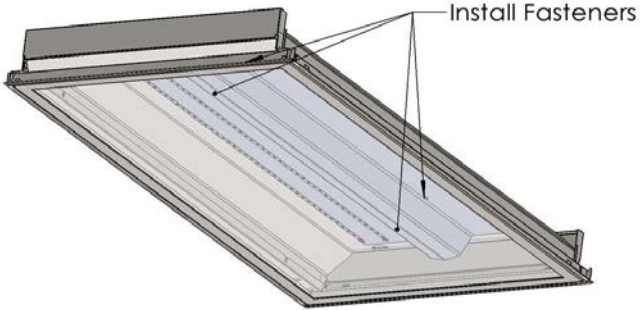


3. Install the fasteners or self-tapping screws provided with the kit to secure the Retrofit kit to the bottom of existing fixture. The self-tapping screws should have a sleeve



## LED Troffer Retrofit Kit

provided that helps retain them when put through the panel. They also hold the screw in place for one man operation of installing.



4. Reinstall fixture diffuser.

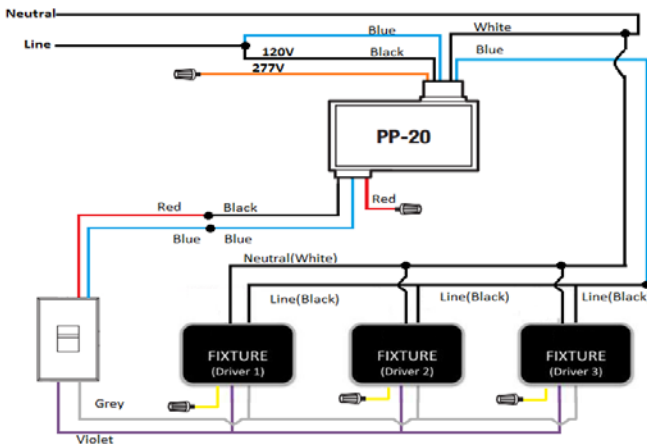




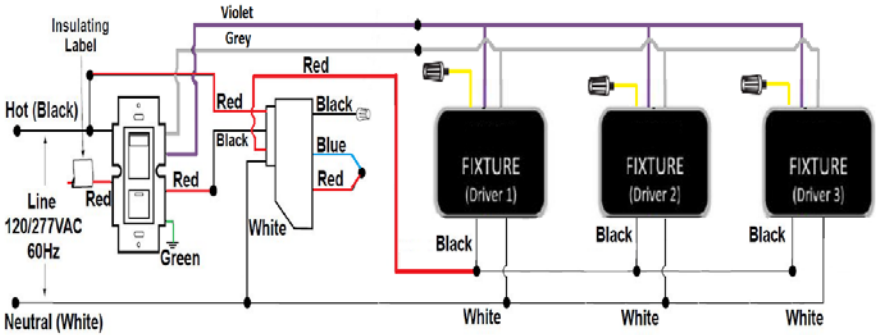
## Set-up for linking panels:

1. Follow connection power on page 5
  2. Select one of the panels to be the master panel.
  3. Connect dimmer/central system to this panel.
  4. Daisy chain remaining panels in zone by connecting violet/grey wires from panel to panel.
  5. Up to 20 panels can be linked together with 20' control wiring between each panel.
- \*Lutron PP-20 power pack relay not included.
6. Use 18/20 AWG for control wires.

## For Lutron NFTV 0-10 Dimmer



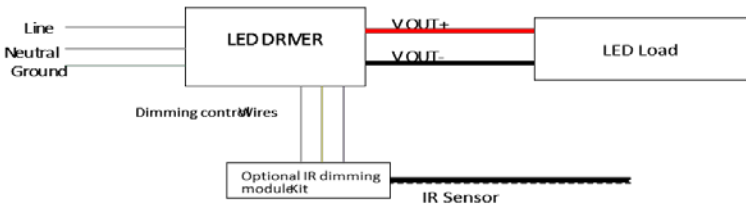
## For Leviton IP 710



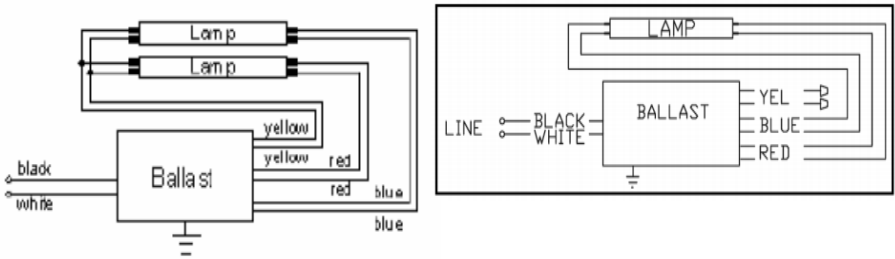
### Optional IR Dimming Module

*MaxLite IR Sold separately*

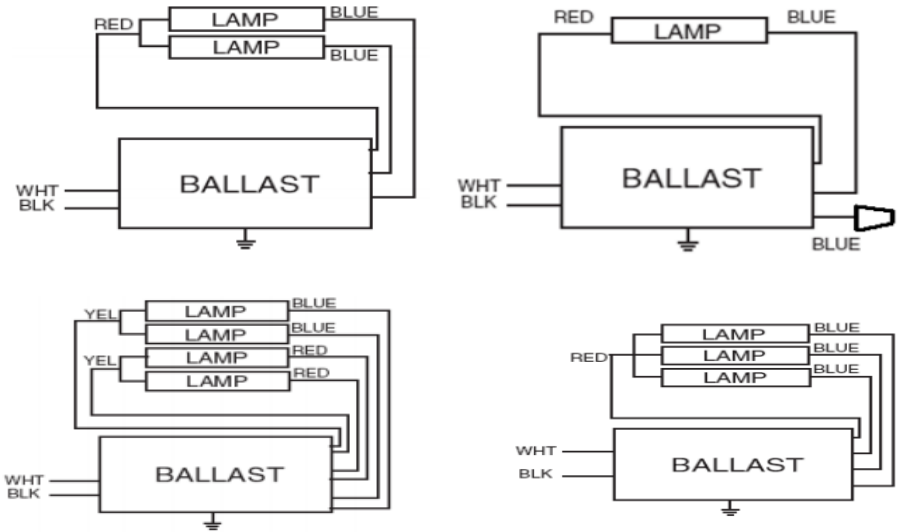
(consult IR installation sheet for mounting and additional wiring option)



**Fluorescent Wiring Diagram  
Rapid Start:**



**Instant Start:**







## LED Troffer Retrofit Kit

### **▲ CAUTION**

1. REMOVE WIRING, LAMPHOLDERS, BALLASTS, OR ANY OTHER ELECTRICAL COMPONENTS
2. MIN LAMP COMPARTMENT DIMENSIONS (SEE PG.1 FOR KIT DIMENSIONS).

### **▲ CAUTION**

INSTALLATION OF THIS RETROFIT ASSEMBLY REQUIRES A PERSON FAMILIAR THE CONSTRUCTION AND OPERATION OF FLUORESCENT LUMINAIRE ELECTRICAL SYSTEMS AND THE HAZARD INVOLVED

UNLESS OTHERWISE INDICATED, DO NOT MAKE OR ALTER ANY OPENINGS IN THE COMPARTMENT OF WIRING OR ELECTRICAL COMPONENTS DURING INSTALLATION OF THIS RETROFIT ASSEMBLY. PLUG ALL UNUSED OPENINGS IN THE COMPARTMENT OF WIRING OR ELECTRICAL COMPONENTS

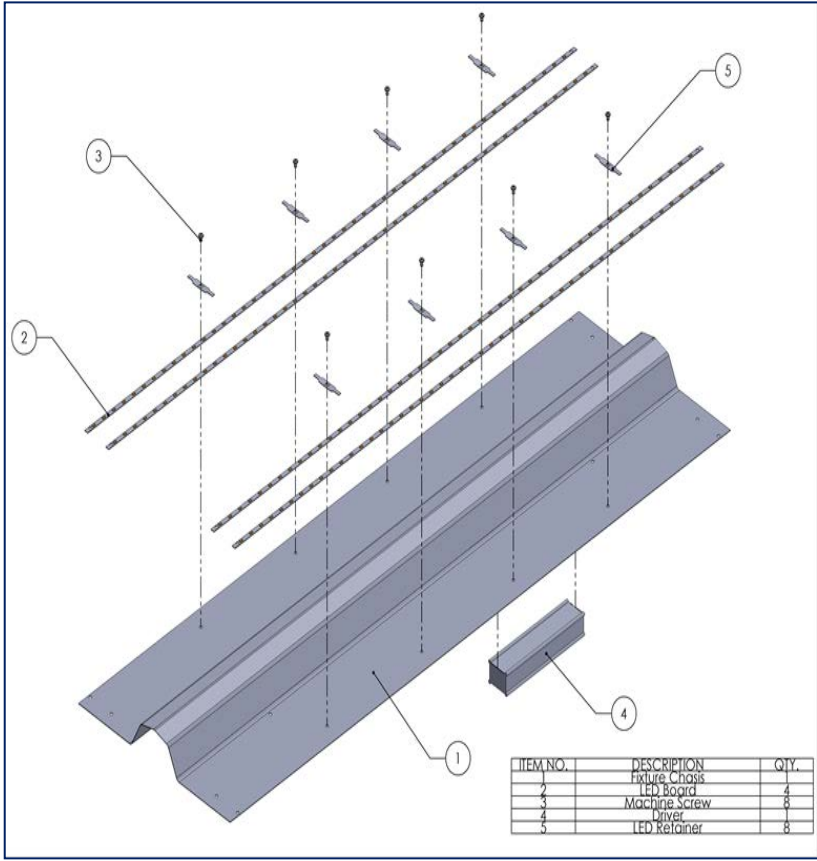
### **▲ WARNING**

TO PREVENT WIRING DAMAGE OR ABRASION, DO NOT EXPOSE WIRING TO EDGES OF SHEET METAL OR OTHER SHARP OBJECTS

DISCONNECT THE POWER BY TURNING OFF THE CIRCUIT BREAKER OR BY REMOVING THE APPROPRIATE FUSE AT THE FUSE BOX. TURNING THE POWER OFF USING THE LIGHT SWITCH IS NOT SUFFICIENT TO PREVENT ELECTRICAL SHOCK.

THE RETROFIT ASSEMBLY IS ACCEPTED AS A COMPONENT OF A FLUORESCENT LUMINAIRE WHERE THE SUITABILITY OF THE COMBINATION SHALL BE DETERMINED BY CSA OR AUTHORITIES HAVING JURISDICTION

## Exploded View



### Warranty

MaxLite warrants to its customers who purchase its commercial LED Fixtures that the products are free from defects in material and workmanship for a period of five years from the date of the first purchase from MaxLite. This warranty will be extended to the end-users of the products that purchase from customers who purchase the product from MaxLite for resale. This warranty will be subject to the following provisions.



## LED Troffer Retrofit Kit

This warranty is void if the product or the lighting system with which the product is operated is not installed, operated, or maintained in accordance with:

- The National Electric Code (NEC)
- The Standards for Safety of Underwriters Laboratories, Inc. (UL)
- The Standards of the American National Standards Institute (ANSI)
- The specific instructions supplied by MaxLite for the installation, operation, and maintenance of the product

This warranty is void if the product is operated outside of its normal operating conditions. The minimum starting temperature is -30 F \* and the maximum ambient temperature, 120 F. The product should only be used with compatible building control devices and dimmers when applicable. In order to make a claim under the warranty, customer must notify MaxLite in writing seeking return authorization and provide the defective products (or, if authorized by MaxLite, a sample of such defective products) to MaxLite.

CUSTOMER'S SOLE AND EXCLUSIVE REMEDY WITH RESPECT TO ANY CLAIM OR DAMAGE ARISING OUT OF, OR IN CONNECTION WITH, THE SALE OF ANY PRODUCT, OR ANY BREACH BY MAXLITE OF ITS OBLIGATIONS WITH RESPECT THERETO, SHALL BE LIMITED TO REPLACEMENTS OF THE PRODUCTS OR REFUND OF THE PURCHASE PRICE PAID BY CUSTOMER TO MAXLITE FOR THE PRODUCTS, AT MAXLITE'S SOLE DISCRETION, PROVIDED, HOWEVER, MAXLITE SHALL HAVE NO LIABILITY WHATSOEVER TO CUSTOMER UNLESS (I) CUSTOMER HAS COMPLIED WITH THE REQUIREMENTS HEREUNDER FOR MAKING A CLAIM, (II) THE PRODUCTS ARE FOUND TO BE DEFECTIVE BY MAXLITE AND (III) CUSTOMER HAS PAID FOR THE PRODUCTS IN FULL WHEN DUE.

MAXLITE HEREBY EXPRESSLY DISCLAIMS ANY WARRANTY OF MERCHANTABILITY OR FITNESS FOR A PARTICULAR PURPOSE AND MAKES NO OTHER WARRANTIES TO CUSTOMER, EXPRESS OR IMPLIED, EXCEPT AS SPECIFICALLY PROVIDED FOR HEREIN.

UNDER NO CIRCUMSTANCES SHALL MAXLITE BE LIABLE TO CUSTOMER FOR ANY PUNITIVE OR EXEMPLARY DAMAGES OR ANY CONSEQUENTIAL, INCIDENTAL, INDIRECT, OR SPECIAL DAMAGES (INCLUDING, WITHOUT LIMITATION, DAMAGES FOR LOSS OF USE, PROFITS, REVENUE OR BUSINESS) ARISING FROM, OR IN ANY WAY RELATED TO, THE SALE, USE OF, OR INABILITY TO USE THE PRODUCTS, NOTWITHSTANDING ANY FAILURE OF ESSENTIAL PURPOSE OF ANY LIMITED REMEDY HEREIN. THIS EXCLUSION SHALL APPLY REGARDLESS OF WHETHER SUCH DAMAGES ARE SOUGHT BASED ON BREACH OF CONTRACT, BREACH OF WARRANTY, NEGLIGENCE, STRICT LIABILITY IN TORT, OR ANY OTHER LEGAL OR EQUITABLE THEORY.

MaxLite's obligation under this warranty shall be limited to, at its sole option, repairing or replacing defective products at its discretion. All repairs must be performed in MaxLite's Factory. MaxLite will ship repaired/replacement drivers/fixtures to the Buyer at MaxLite's expense.

This warranty is subject to the terms and conditions of sale applicable to the initial purchase of the product from MaxLite, which shall take precedent.

For questions about this warranty, please contact your local MaxLite Representative or MaxLite at 1-800-555-5629 or [info@maxlite.com](mailto:info@maxlite.com) or visit [www.maxlite.com](http://www.maxlite.com)

© Copyright 2013. MaxLite, Inc. All Rights Reserved.

12 York Ave, West Caldwell, NJ 07006 Tel: 973-244-7300 Fax: 973-244-7333 Email: [info@maxlite.com](mailto:info@maxlite.com)