

PROJECT NAME: _____
 NOTES: _____

CAT. #: _____
 FIXTURE SCHEDULE: _____

PL - Triple, Type A / Type B



PL - Triple, Type A



PL - Triple, Type B

Product Description

MaxLite's Plug-In LED Lamps offer a versatile LED solution for replacing compact fluorescent plug-in lamps. Available in Type A (ballast-compatible) and Type B (ballast-bypass) models, they provide flexibility for any installation. With multiple base options (G24, GX24) and full CCT coverage (2700K-5000K), these lamps ensure a smooth transition to energy-efficient lighting. With high efficacy, a long lifespan, and both omnidirectional and directional options, these lamps maximize performance while minimizing maintenance and energy costs for commercial, residential, and retrofit applications.

Features

- **Broad Compatibility:** Replaces any fluorescent plug-in lamp, with multiple wattages and base types (G24 and GX24) to match existing fixtures.
- **Available in Type A and Type B Models:** Choose ballast-compatible (Type A) or ballast-bypass (Type B) for maximum installation flexibility.
- **Complete CCT coverage:** Available in 2700K, 3000K, 3500K, 4000K, and 5000K fixed options, with CCT selectable models for added flexibility.
- **High Efficiency & Longevity:** Delivers up to 147 lm/W with a 50,000-hour lifespan, reducing energy and maintenance costs.
- **Flexible Light Distribution:** Omnidirectional models provide wide, even illumination, while directional models focus light where it's needed most.
- **Lamp base can rotate 150 degrees** for model numbers: 14.5PLTH/DFD/G24Q830; 14.5PLTH/DFD/G24Q835; 14.5PLTH/DFD/G24Q840; 14.5PLTH/DFD/G24Q850 17PLTV/DFD/G24Q830; 17PLTV/DFD/G24Q835; 17PLTV/DFD/G24Q840; 17PLTV/DFD/G24Q850; 14.5PLTH/G24D830; 14.5PLTH/G24D835; 14.5PLTH/G24D840; 14.5PLTH/G24D850
- **Additional models and types are available.** Contact Maxlite or visit Maxlite.com

Model Selection

PL - Triple, Type A



14.5PLTH/DFD/G24Q8xx



17PLTV/DFD/G24Q8xx

WATTAGE	FAMILY	INSTALL POSITION	OPERATION	DIMMABILITY	BASE	CRI AND CCT
14.5= 14.5W 17.5= 17.5W	PLT= PL Triple	H= Horizontal V= Vertical	/DF= Type A	D= Dimmable	/G24Q= G24Q/GX24Q base, 4 Pin	830= 830 = 80 CRI, 3000K 835= 835 = 80 CRI, 3500K 840= 840 = 80 CRI, 4000K 850= 850 = 80 CRI, 5000K <hr/> 830= 830 = 80 CRI, 3000K 835= 835 = 80 CRI, 3500K 840= 840 = 80 CRI, 4000K 850= 850 = 80 CRI, 5000K

PL - Triple, Type A / Type B

Model Selection – continued

PL - Triple, Type B



14.5PLTH/G24D8xx



17PLTV/G24D8xx



15PLTO/GX24D8CS



17PLTO/GX24D8CS

WATTAGE	FAMILY	INSTALL POSITION	OPERATION	DIMMABILITY	BASE	CRI AND CCT
14.5= 14.5W	PLT= PL Triple	H= Horizontal	BLANK= Type B	BLANK= None	/G24D= G24D base, 2 Pin; GX24 base, 4 Pin	830= 830 = 80 CRI, 3000K 835= 835 = 80 CRI, 3500K 840= 840 = 80 CRI, 4000K 850= 850 = 80 CRI, 5000K
17= 16.5W		V= Vertical				830= 830 = 80 CRI, 3000K 835= 835 = 80 CRI, 3500K 840= 840 = 80 CRI, 4000K 850= 850 = 80 CRI, 5000K
15= 15W 17= 17W		O= Omnidirectional			/GX24D= GX24D base, 2 Pin; GX24Q base, 4 Pin	8CS= 80 CRI, 4 CCT 2700K/3000K/3500K/4000K

Note - Default Setting for CS models is 4000K

Stocked Items | DLC 5.1 Listing

PL - Triple, Type A

ORDER CODE	MODEL NUMBER	DLC PRODUCT ID#	DLC CLASSIFICATION	DLC PRIMARY USE DESIGNATION
112231	14.5PLTH/DFD/G24Q830	S-F2HYZ1	Standard	Replacement Lamps (Plug and Play) (UL Type A)
112232	14.5PLTH/DFD/G24Q835	S-152T0H		
112233	14.5PLTH/DFD/G24Q840	S-V4DV87		
112234	14.5PLTH/DFD/G24Q850	S-1PK9S5		
112235	17PLTV/DFD/G24Q830	S-G4MY04		
112236	17PLTV/DFD/G24Q835	S-6X4M4G		
112237	17PLTV/DFD/G24Q840	S-CN3H40		
112238	17PLTV/DFD/G24Q850	S-KY34MY		

Stocked Items | (non DLC listed)

PL - Triple, Type B

ORDER CODE	MODEL NUMBER
112221	15PLTO/GX24D8CS
112222	17PLTO/GX24D8CS
112223	14.5PLTH/G24D830
112224	14.5PLTH/G24D835
112225	14.5PLTH/G24D840

PL - Triple, Type B

ORDER CODE	MODEL NUMBER
112226	14.5PLTH/G24D850
112227	17PLTV/G24D830
112228	17PLTV/G24D835
112229	17PLTV/G24D840
112230	17PLTV/G24D850

FCC Statement

NOTE: This equipment has been tested and found to comply with the limits for a Class B digital device, pursuant to Part 15 of the FCC Rules. These limits are designed to provide reasonable protection against harmful interference in a residential installation. This equipment generates, uses, and can radiate radio frequency energy and, if not installed and used in accordance with the instructions, may cause harmful interference to radio communications. However, there is no guarantee that interference will not occur in a particular installation.

If this equipment does cause harmful interference to radio or television reception which can be determined by turning the equipment off and on, the user is encouraged to try to correct the interference by one or more of the following measures:

- Reorient or relocate the receiving antenna.
- Increase the separation between the equipment and receiver.
- Connect the equipment to an outlet on a circuit different from that to which the receiver is connected.
- Consult the dealer or an experienced radio/TV technician for help

PL - Triple, Type A / Type B

PL - Triple, Type A

Specifications	14.5PLTH/DFD/G24Q8xx	17PLTV/DFD/G24Q8xx
Family	PL Double	
Installation Position	Horizontal	Vertical
Operation	Type A	
Base	G24Q base, 4 Pin; GX24Q base, 4 Pin	
Equivalent Wattage	42W Fluorescent	42W Fluorescent
Input Wattage (W)	14.5W	17W
Lumens delivered (lm)	1950 lm at Fixed CCT 3000K 1950 lm at Fixed CCT 3500K 2050 lm at Fixed CCT 4000K 2050 lm at Fixed CCT 5000K	2050 lm at Fixed CCT 3000K 2050 lm at Fixed CCT 3500K 2150 lm at Fixed CCT 4000K 2150 lm at Fixed CCT 5000K
Nominal Efficacy (lm/W)	130 lm/W at Fixed CCT 3000K 130 lm/W at Fixed CCT 3500K 137 lm/W at Fixed CCT 4000K 137 lm/W at Fixed CCT 5000K	121 lm/W at Fixed CCT 3000K 121 lm/W at Fixed CCT 3500K 126 lm/W at Fixed CCT 4000K 126 lm/W at Fixed CCT 5000K
Color Temperature (K)	Fixed CCT 3000K/3500K/4000K/5000K	
CRI	≥ 80	
Calculated L70 Lumen Maintenance	≥ 50,000 hours	
Dimming Technology	Dimmable based on ballast	
Input Voltage	Ballast Dependant	
Power Factor	Ballast Dependant	
Diffuser	Polycarbonate	
Operating Temperature	-4°F to 113°F (-20°C to 45°C)	
Certifications	cULus Listed, RoHS Complaint, NSF/ ANSI 2 - Food Equipment	cULus Listed, FCC, RoHS Complaint, NSF/ ANSI 2 - Food Equipment
Qualifications	DLC Standard	
Environment	Damp Locations	Damp Locations, Enclosed Rating
Warranty	5 Years warranty. Check maxlite.com/warranties for details	
Case Quantity	24 pcs	

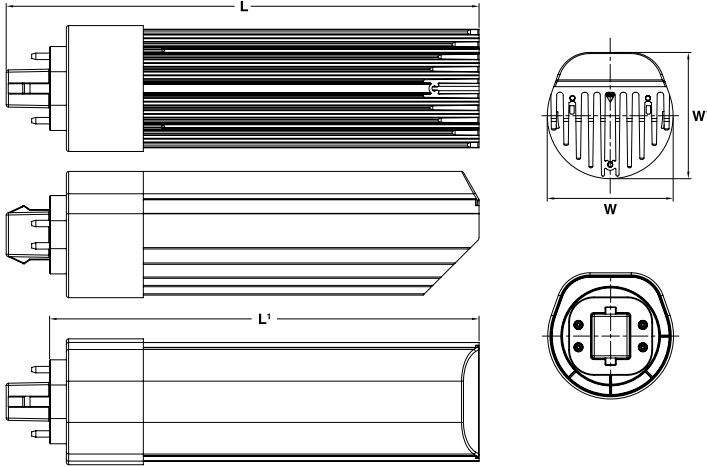
PL - Triple, Type A / Type B

PL - Triple, Type B

Specifications	14.5PLTH/G24D8xx	17PLTV/G24D8xx	15PLTO/GX24D8xx	17PLTO/GX24D8xx
Family	PL Triple			
Installation Position	Horizontal	Vertical	Omnidirectional	
Operation	Type B			
Base	G24D base, 2 Pin; GX24 base, 4 Pin		GX24D base, 2 Pin; GX24Q base, 4 Pin	
Equivalent Wattage	42W Fluorescent	42W Fluorescent	32W Fluorescent	42W Fluorescent
Input Wattage (W)	15.5W	16.5W	15W	17W
Lumens delivered (lm)	1900 lm at Fixed CCT 3000K 1900 lm at Fixed CCT 3500K 2000 lm at Fixed CCT 4000K 2000 lm at Fixed CCT 5000K	1900 lm at Fixed CCT 3000K 1900 lm at Fixed CCT 3500K 2000 lm at Fixed CCT 4000K 2000 lm at Fixed CCT 5000K	1900 to 2200 lm at 4 CCT Selectable 2700K, 3000K, 3500K, 4000K	2200 to 2500 lm at 4 CCT Selectable 2700K, 3000K, 3500K, 4000K
Nominal Efficacy (lm/W)	123 lm/W at Fixed CCT 3000K 123 lm/W at Fixed CCT 3500K 129 lm/W at Fixed CCT 4000K 129 lm/W at Fixed CCT 5000K	123 lm/W at Fixed CCT 3000K 123 lm/W at Fixed CCT 3500K 129 lm/W at Fixed CCT 4000K 129 lm/W at Fixed CCT 5000K	127 to 146 lm at 4 CCT Selectable 2700K, 3000K, 3500K, 4000K	126 to 147 lm at 4 CCT Selectable 2700K, 3000K, 3500K, 4000K
Color Temperature (K)	Fixed CCT 3000K/3500K/4000K/5000K		4 CCT Selectable 2700K, 3000K, 3500K, 4000K . Default Setting for CS models is 4000K	
CRI	≥ 80			
Calculated L70 Lumen Maintenance	≥ 50,000 hours			
Dimming Technology	Non-Dimmable			
Input Voltage	120-277V AC, 60 Hz		120-277V AC, 50/60 Hz	
Power Factor	0.9			
Diffuser	Polycarbonate			
Surge Protection	Type B surges are 500V			
Operating Temperature	-4°F to 113°F (-20°C to 45°C)		-4°F to 95°F (-20°C to 35°C)	
Certifications	cULus classified, cRUus components, FCC, RoHS Complaint, NSF/ ANSI 2 - Food Equipment			
Environment	Damp Locations			
Warranty	5 Years warranty. Check maxlite.com/warranties for details			
Case Quantity	24 pcs			

PL - Triple, Type A / Type B

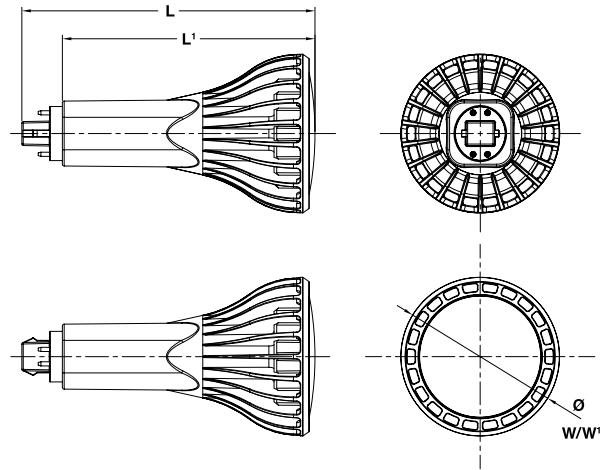
DIMENSIONS



PL - Triple, Type A

Overall Length L	Length w/o Base L'	Width W	Width W'
---------------------	--------------------------	------------	-------------

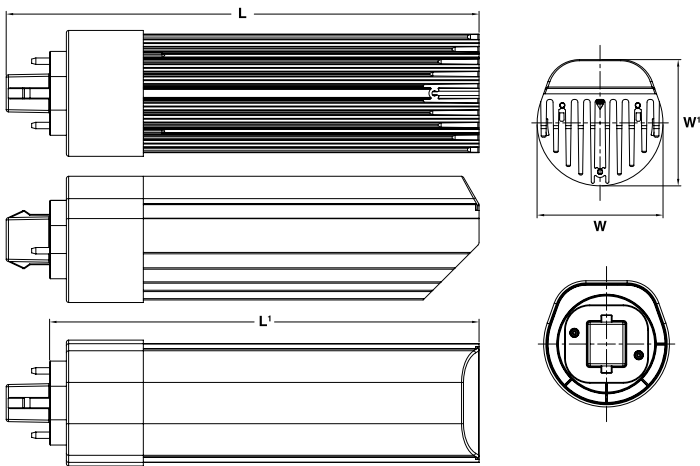
14.5PLTH/DFD/G24Q8xx	6.65"	6.04"	1.77"	1.78"
----------------------	-------	-------	-------	-------



PL - Triple, Type A

Overall Length L	Length w/o Base L'	Width W	Width W'
---------------------	--------------------------	------------	-------------

17PLTV/DFD/G24Q8xx	6.4"	5.51"	3.46"	3.46"
--------------------	------	-------	-------	-------



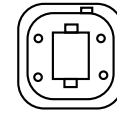
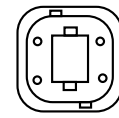
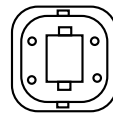
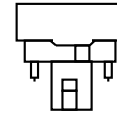
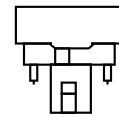
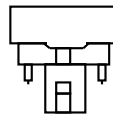
PL - Triple, Type B

Overall Length L	Length w/o Base L'	Width W	Width W'
---------------------	--------------------------	------------	-------------

14.5PLTH/G24D8xx	6.65"	6.04"	1.77"	1.78"
------------------	-------	-------	-------	-------

Lamp Bases

Our G24q base lamps will fit into the following sockets:



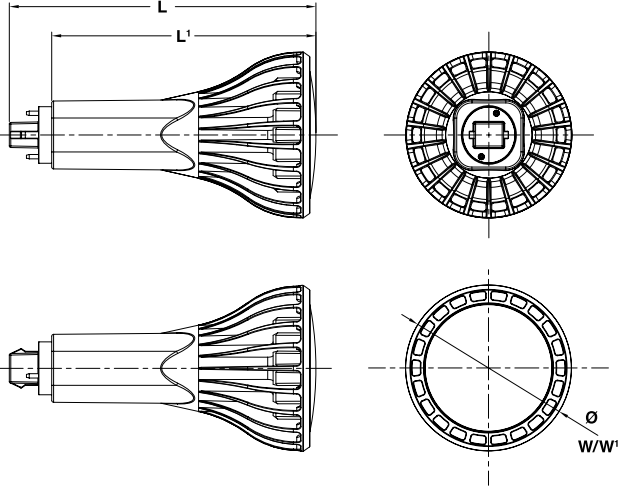
G24q-1

G24q-2

G24q-3

PL - Triple, Type A / Type B

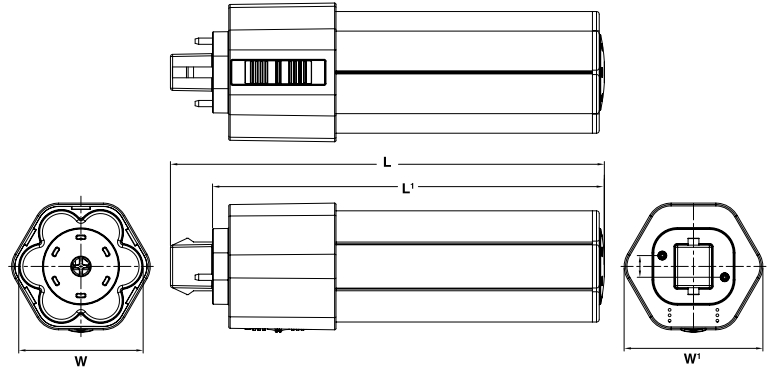
DIMENSIONS



PL - Triple, Type B

Overall Length L	Length w/o Base L'	Width W	Width W'
------------------	--------------------	---------	----------

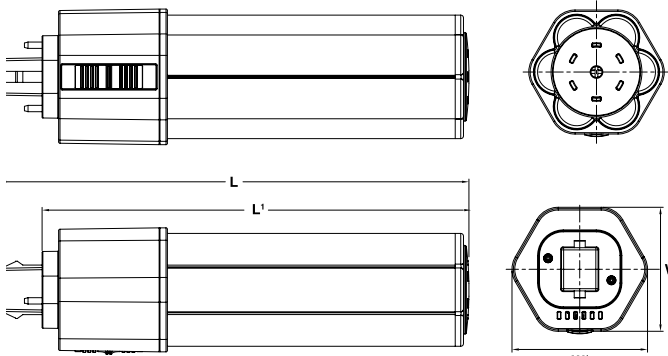
17PLTV/G24D8xx	6.4"	5.51"	3.46"	3.46"
----------------	------	-------	-------	-------



PL - Triple, Type B

Overall Length L	Length w/o Base L'	Width W	Width W'
------------------	--------------------	---------	----------

15PLTO/GX24D8xx	6.32"	5.71"	1.77"	2.01"
-----------------	-------	-------	-------	-------



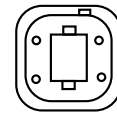
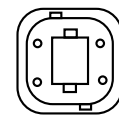
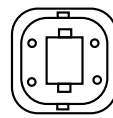
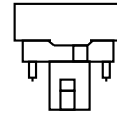
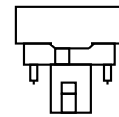
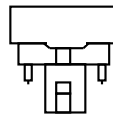
PL - Triple, Type B

Overall Length L	Length w/o Base L'	Width W	Width W'
------------------	--------------------	---------	----------

17PLTO/GX24D8xx	6.69"	6.1"	1.77"	2.01"
-----------------	-------	------	-------	-------

Lamp Bases

Our G24q base lamps will fit into the following sockets:



G24q-1

G24q-2

G24q-3



PL - Triple, Type A / Type B

Ballast Compatibility

PL - Triple, Type A (Model Number: 14.5PLTH/DFD/G24Q8xx)

BRAND	MODEL NUMBER	COMPATIBILITY STATUS				BALLAST TYPE
		BALLAST WORKS ON 120-277V				
		1 LAMP	2 LAMPS	3 LAMPS	4 LAMPS	
Universal	C242UNVME	OK	OK	N/A	N/A	PS
Universal	C2642UNVBE	OK	OK	N/A	N/A	PS
GE	GEC242-MVPS-3W	OK	OK	N/A	N/A	PS
GE	GEC242-MVPS-SE	OK	OK	N/A	N/A	PS
Hatch	HC242PS/UV/D	OK	OK	N/A	N/A	PS
Philips - Advance	ICF-2S42-M2-LD	OK	N/A	N/A	N/A	PS
Philips - Advance	REZ-1T42-M2-LD	N/A	OK	N/A	N/A	PS
Philips - Advance	VEZ-1T42-M2-BS	OK	OK	N/A	N/A	PS
Philips - Advance	IZT-2S26-M5-BS	N/A	OK	N/A	N/A	PS
Philips - Advance	IZT-2S26-M5-LD	OK	OK	N/A	N/A	PS
Philips - Advance	IZT-2T42-M5-BS	OK	OK	N/A	N/A	PS
Philips - Advance	IZT-2T42-M5-LD	OK	OK	N/A	N/A	PS
Fulham	RHA-UNV-242-C	OK	OK	N/A	N/A	PS
Sylvania	QTP 2x26/32/42CF/UNV DM	OK 277V only	OK 277V only	N/A	N/A	PS
Sylvania	2X26CF/UNV DIM DM	OK 277V only	OK 277V only	N/A	N/A	PS

Emergency Ballast Compatibility

BRAND	MODEL NUMBER	COMPATIBILITY STATUS
Bodine	B30ST	Compatible
Bodine	LP600	Compatible
Iota	I-320	Compatible

BRAND	MODEL NUMBER	COMPATIBILITY STATUS
Lithonia	PS1400QD	Compatible
Fulham	FH5-DUAL-1400L	Compatible

LEGEND

Status: **OK** – Compatible **NO** – Not Compatible **N/A** – Not Required
 Ballast Type: **PS** – Programmed Start **IS** – Instant Start

PL - Triple, Type A (Model Number: 17PLTV/DFD/G24Q8xx)

BRAND	MODEL NUMBER	COMPATIBILITY STATUS				BALLAST TYPE
		BALLAST WORKS ON 120-277V				
		1 LAMP	2 LAMPS	3 LAMPS	4 LAMPS	
Universal	C242UNVME	OK 120Vonly	N/A	N/A	N/A	PS
Universal	C2642UNVBE	OK	N/A	N/A	N/A	PS
GE	GEC242-MVPS-3W	OK	N/A	N/A	N/A	PS
GE	GEC242-MVPS-SE	OK	N/A	N/A	N/A	PS
GE	GEC26-MVPS-3W	OK	N/A	N/A	N/A	PS
Hatch	HC242PS/UV/D	OK	N/A	N/A	N/A	PS
Philips - Advance	ICF-2S42-M2-LD	OK	N/A	N/A	N/A	PS
Philips - Advance	REZ-1T42-M2-LD	OK 120Vonly	N/A	N/A	N/A	PS
Philips - Advance	VEZ-1T42-M2-BS	OK 277Vonly	N/A	N/A	N/A	PS
Philips - Advance	IZT-2S26-M5-BS	OK	N/A	N/A	N/A	PS
Philips - Advance	IZT-2T42-M5-BS	OK	N/A	N/A	N/A	PS
Fulham	RHA-UNV-242-C	OK	N/A	N/A	N/A	PS
Sylvania	QTP 2x26/32/42CF/UNV DM	NO	N/A	N/A	N/A	PS
Sylvania	2X26CF/UNV DIM DM	OK 277V only	N/A	N/A	N/A	PS

Emergency Ballast Compatibility

BRAND	MODEL NUMBER	COMPATIBILITY STATUS
Bodine	B30ST	Compatible
Bodine	LP600	Compatible
Iota	I-320	Compatible

BRAND	MODEL NUMBER	COMPATIBILITY STATUS
Lithonia	PS1400QD	Compatible
Fulham	FH5-DUAL-1400L	Compatible

PL - Triple, Type A / Type B

Dimming Compatibility

PL - Triple, Type A (Model Number: 14.5PLTH/DFD/G24Q8xx)

BRAND	SERIES	MODEL	LOAD	PHILIPS				SYLVANIA
				ZT-2S26-M5-BS	IZT-2S26-M5-LD	IZT-2T42-M5-BS	IZT-2T42-M5-LD	2X26CF/UNV DIM DM
Lutron	Diva	Diva	960W	Compatible*	Compatible	Compatible	Compatible	Compatible
Lutron	Diva	Diva	1000W	Compatible*	Compatible	Compatible	Compatible	Compatible
Lutron	Nova	Nova	960W	Compatible*	Compatible	Compatible	Compatible	Compatible
Lutron	Nova	Nova	2000W	Compatible*	Compatible	Compatible	Compatible	Compatible
Leviton	Illumatech	Illumatech	1200W	Compatible*	Compatible*	Compatible*	Compatible*	Compatible*

*Minimum 2 Lamps

PL - Triple, Type A (Model Number: 17PLTV/DFD/G24Q8xx)

BRAND	SERIES	MODEL	LOAD	PHILIPS				SYLVANIA
				ZT-2S26-M5-BS	IZT-2S26-M5-LD	IZT-2T42-M5-BS	IZT-2T42-M5-LD	2X26CF/UNV DIM DM
Lutron	Diva	Diva	960W	Compatible*	Compatible	Compatible	Compatible	Compatible
Lutron	Diva	Diva	1000W	Compatible*	Compatible	Compatible	Compatible	Compatible
Lutron	Nova	Nova	960W	Compatible*	Compatible	Compatible	Compatible	Compatible
Lutron	Nova	Nova	2000W	Compatible*	Compatible	Compatible	Compatible	Compatible
Leviton	Illumatech	Illumatech	1200W	Compatible*	Compatible*	Compatible*	Compatible*	Compatible*

*Minimum 2 Lamps