

PROJECT NAME: _____ CAT. #: _____
 NOTES: _____ FIXTURE SCHEDULE: _____

LED MR16 Lamps

GU10 JA8 Series

Product Description:

Providing years of high-quality light at a fraction of the energy consumed by halogen lamps, MaxLite's LED MR16 Lamps are ideal for directional lighting in retail, hospitality and residential spaces.

Features:

- Construction: Aluminum Heatsink and Polycarbonate diffuser
- Available in two beam angles : 25° and 35°
- Suitable for damp locations
- Suitable for use in totally enclosed luminaires
- Dimmable down to 10%
- UV and IR free

Applications:

- Home
- Office
- Retail
- Hospitality
- Accent/display lighting
- Track lighting



Ordering Information

FAMILY	BASE	DIMMABILITY	CRI AND COLOR TEMP	BEAM	COMPLIANCE
4.5MR= 4.5W LED MR16 6.5MR= 6.5W LED MR16	G= GU10 base	D= Dimmable	927= 90CRI 2700K 930= 90CRI 3000K	NF= Narrow Flood (25°) FL= Flood (35°)	/JA8/G2= JA8-2019-E, Gen 2

Stocked Items

MODEL NUMBER	ORDER CODE	ENERGY STAR #
4.5MRGD927FL/JA8/G2	106150	2378348
4.5MRGD927NF/JA8/G2	106148	2378350
4.5MRGD930FL/JA8/G2	106151	2378349
4.5MRGD930NF/JA8/G2	106149	2378351
6.5MRGD927FL/JA8/G2	106154	2378359
6.5MRGD927NF/JA8/G2	106152	2378354
6.5MRGD930FL/JA8/G2	106155	2378352
6.5MRGD930NF/JA8/G2	106153	2378353



5-year standard warranty (further details available at www.maxlite.com/warranties)

Product may be eligible for a warranty extension to 10 years, for an additional fee. Contact MaxLite for details.

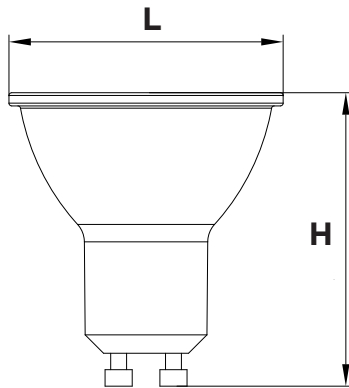
LED MR16 Lamps

GU10 JA8 Series

Specifications

	4.5MRGD9xxNF/JA8/G2	4.5MRGD9xxFL/JA8/G2	6.5MRGD9xxNF/JA8/G2	6.5MRGD9xxFL/JA8/G2
Base Type	GU10			
Nominal Input Power	4.5W		6.5W	
Equivalency	35W Halogen		50W Halogen	
Lumens Delivered	350 lm		500 lm	
Efficacy	78 lm/W		77 lm/W	
CRI	≥90			
Color Temperature/CCT	2700K, 3000K			
Nominal Beam Angle	25°	35°	25°	35°
CBCP	596 cd	371 cd	955 cd	595 cd
Construction	Aluminum Heatsink and Polycarbonate diffuser			
Input Wattage	120V 60Hz			
PowerFactor	≥0.90			
Operating Temperature	-4°F to 113°F (-20°C to 45°C)			
Dimmable	Yes, Triac 10-100%			
Lumen Maintenance/L70	≥25,000Hrs			
Certifications	cULus listed, Energy Star certified, FCC, Supports Compliance of CEC Title 20 2016, Supports Compliance of JA8-2016-E			
Environment	Suitable for damp locations. Suitable for use in totally enclosed luminaires.			
Warranty	5 years			

Dimensions



Dimming Compatibility - 4.5W MR16 GU10 base, 6.5W MR16 GU10 base

MANUFACTURER	MODELS
Lutron	Diva DVCL-153P VA, Maestro MACL-153M v2, CASETA P-PKG1W-WH/PD-6WCL, Skylark C-L SCL-153P, Maestro MAELV-600, DV-600P-AL, Skylark C-L s-600p, Rotary D-600P-WH
Leviton	SureSlide 6613, SureSlide 6672, Trimatron 6681

WATTAGE	WIDTH / W (INCHES)	HEIGHT / H (INCHES)
4.5W	1.97	2.13
6.5W		