

PROJECT NAME: \_\_\_\_\_ CAT. #: \_\_\_\_\_  
 NOTES: \_\_\_\_\_ FIXTURE SCHEDULE: \_\_\_\_\_

## LED MR16 Lamps

GU10 JA8 Series

### Product Description:

Providing years of high-quality light at a fraction of the energy consumed by halogen lamps, MaxLite's LED MR16 Lamps are ideal for directional lighting in retail, hospitality and residential spaces.

### Features:

- Construction: Aluminum Heatsink and Polycarbonate diffuser
- Available in two beam angles : 25° and 35°
- Suitable for damp locations
- Suitable for use in totally enclosed luminaires
- Dimmable down to 10%
- UV and IR free

### Applications:

- Home
- Office
- Retail
- Hospitality
- Accent/display lighting
- Track lighting



## Ordering Information

| FAMILY  | BASE                | DIMMABILITY        | CRI AND COLOR TEMP                                 | BEAM  | COMPLIANCE                        |
|---|---------------------|--------------------|--|---|-----------------------------------|
| <b>4.5MR=</b> 4.5W LED MR16<br><b>6.5MR=</b> 6.5W LED MR16<br><b>7.5MR=</b> 7.5W LED MR16 | <b>G=</b> GU10 base | <b>D=</b> Dimmable | <b>927=</b> 90CRI 2700K<br><b>930=</b> 90CRI 3000K | <b>NF=</b> Narrow Flood (25°)<br><b>FL=</b> Flood (35°) | <b>/JA8/G2=</b> JA8-2019-E, Gen 2 |

## Stocked Items

| MODEL NUMBER        | ORDER CODE | ENERGY STAR # |
|---------------------|------------|---------------|
| 4.5MRGD927FL/JA8/G2 | 106150     | 2378348       |
| 4.5MRGD927NF/JA8/G2 | 106148     | 2378350       |
| 4.5MRGD930FL/JA8/G2 | 106151     | 2378349       |
| 4.5MRGD930NF/JA8/G2 | 106149     | 2378351       |
| 6.5MRGD927FL/JA8/G2 | 106154     | 2378359       |
| 6.5MRGD927NF/JA8/G2 | 106152     | 2378354       |
| 6.5MRGD930FL/JA8/G2 | 106155     | 2378352       |
| 6.5MRGD930NF/JA8/G2 | 106153     | 2378353       |
| 7.5MRGD927FL/JA8/G2 | 106158     | 2378355       |
| 7.5MRGD927NF/JA8/G2 | 106156     | 2378357       |
| 7.5MRGD930FL/JA8/G2 | 106159     | 2378358       |
| 7.5MRGD930NF/JA8/G2 | 106157     | 2378356       |



**5-year standard warranty** (further details available at [www.maxlite.com/warranties](http://www.maxlite.com/warranties))

Product may be eligible for a warranty extension to 10 years, for an additional fee. Contact MaxLite for details.

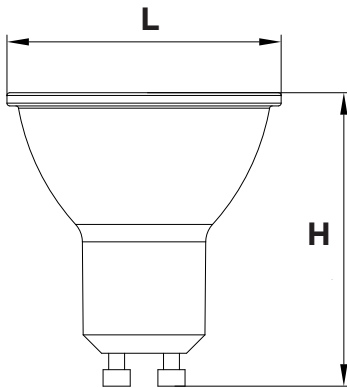
# LED MR16 Lamps

# GU10 JA8 Series

## Specifications

| Specifications        | 4.5MRGD9xxNF/JA8/G2   | 4.5MRGD9xxFL/JA8/G2 | 6.5MRGD9xxNF/JA8/G2 | 6.5MRGD9xxFL/JA8/G2 | 7.5MRGD9xxNF/JA8/G2 | 7.5MRGD9xxFL/JA8/G2 |
|-----------------------|---|---------------------|---------------------|---------------------|---------------------|---------------------|
| Base Type             | GU10  |                     |                     |                     |                     |                     |
| Nominal Input Power   | 4.5W  |                     | 6.5W                |                     | 7.5W                |                     |
| Equivalency           | 35W Halogen   |                     | 50W Halogen         |                     | 75W Halogen         |                     |
| Lumens Delivered      | 350 lm  |                     | 500 lm              |                     | 570 lm              |                     |
| Efficacy              | 78 lm/W   |                     | 77 lm/W             |                     | 76 lm/W             |                     |
| CRI                   | ≥90   |                     |                     |                     |                     |                     |
| Color Temperature/CCT | 2700K, 3000K  |                     |                     |                     |                     |                     |
| Nominal Beam Angle    | 25°   | 35°                 | 25°                 | 35°                 | 25°                 | 35°                 |
| CBCP                  | 596 cd  | 371 cd              | 955 cd              | 595 cd              | 1975 cd             | 1231 cd             |
| Construction          | Aluminum Heatsink and Polycarbonate diffuser  |                     |                     |                     |                     |                     |
| Input Wattage         | 120V 60Hz   |                     |                     |                     |                     |                     |
| PowerFactor           | ≥0.90   |                     |                     |                     |                     |                     |
| Operating Temperature | -4°F to 113°F (-20°C to 45°C)   |                     |                     |                     |                     |                     |
| Dimmable              | Yes, Triac 10-100%  |                     |                     |                     |                     |                     |
| Lumen Maintenance/L70 | ≥25,000Hrs  |                     |                     |                     |                     |                     |
| Certifications        | cULus listed, Energy Star certified, FCC, Supports Compliance of CEC Title 20 2016, Supports Compliance of JA8-2016-E |                     |                     |                     |                     |                     |
| Environment           | Suitable for damp locations. Suitable for use in totally enclosed luminaires.   |                     |                     |                     |                     |                     |
| Warranty              | 5 years   |                     |                     |                     |                     |                     |

## Dimensions



## Dimming Compatibility - 4.5W MR16 GU10 base, 6.5W MR16 GU10 base, 7.5W MR16 GU10 base

| MANUFACTURER | MODELS  |
|--------------|---|
| Lutron       | Diva DVCL-153P VA, Maestro MACL-153M v2, CASETA P-PKG1W-WH/PD-6WCL, Skylark C-L SCL-153P, Maestro MAELV-600, DV-600P-AL, Skylark C-L s-600p, Rotary D-600P-WH |
| Leviton      | SureSlide 6613, SureSlide 6672, Trimatron 6681  |

| WATTAGE | WIDTH/ W (INCHES) | HEIGHT / H (INCHES) |
|---------|-------------------|---------------------|
| 4.5W    | 1.97              | 2.13                |
| 6.5W    |                   |                     |
| 7.5W    |                   |                     |