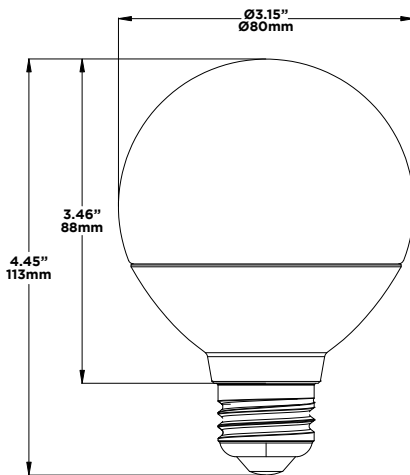


LED G25 GLOBE
G25 G2 SERIES



PRODUCT DESCRIPTION:

MaxLite LED G25 retrofit lamp is ideal for providing high-quality lighting for globe, vanity, and decorative fixtures throughout homes and hospitality applications. It consumes only 6 watts and replaces a 40-watt incandescent lamp, resulting in up to 85 percent savings in energy. This lamp has an average rated life of 25,000 hours and it is dimmable down to 10%.

FEATURES:

- Watts: 6
- Lumens: 450
- 25,000 hour life (L70)
- CRI: 82
- ENERGY STAR certified
- Five year standard warranty
- Dimmable down to 10 percent
- Suitable for damp locations
- Not for use in enclosed luminaires

APPLICATION:

- Vanity Strips
- Pendant Lighting
- Decorative

WARRANTY:

5-year standard warranty
(further details available at www.maxlite.com/warranties)
Product may be eligible for a warranty extension to 10 years, for an additional fee. Contact MaxLite for details.

MODEL SELECTION		Typical order example: 6G25DLED27/G2	
6	G25	DLED	
WATTAGE	FAMILY	DIMMABILITY	CCT & QUANTITY PACK
6= 6W	G25= LED Globe 25	DLED= Dimmable	27/G2= 2700K, 1 Pack 27/G2/3P= 2700K, 3 Pack 27/G2/BP= 2700K, Bulk Pack

COMPATIBLE DIMMERS:

MAKE	DIMMER MODEL	MAKE	DIMMER MODEL
Lutron	CTCL-153P	Leviton	IPL06
Lutron	DVCL-153P	Leviton	IP110
Lutron	LGCL-153P	Leviton	6631-LW
Lutron	S-600	Leviton	6683-IW

NOTES:

1. Bulk pack comes in 24pcs

SPECIFICATIONS:

6G25DLED27/G2

ITEM	SPECIFICATION	DETAILS
GENERAL PERFORMANCE	Power Consumption	6W
	Delivered Lumens	450
	Efficacy (lm/W)	75
	Dimmable	Yes
	CRI	80
	Color Temperature (CCT)	2700K
	Lumen Maintenance (L70)	25,000 Hours
ELECTRICAL	Input Voltage	120V
PHYSICAL	Base Type	E26
	Operating Temperature	-4°F to 104°F
CERTIFICATION	Certification	cULs, FCC, LM-79
	Environment	Damp locations
	Warranty	5 Year standard warranty

ORDERING:

ORDER CODE	MODEL	WATTS	EQUIVALENCY	LUMENS	LAMP LIFE (HRS.)	DIMENSIONS (H" x W")	CCT
107505	6G25DLED27/G2	6	40W	450	25,000	4.45" x 3.15"	2700K
107506	6G25DLED27/G2/3P (3 PACK)	6	40W	450	25,000	4.45" x 3.15"	2700K
107588	6G25DLED27/G2/BP (Bulk Pack - 24pcs)	6	40W	450	25,000	4.45" x 3.15"	2700K