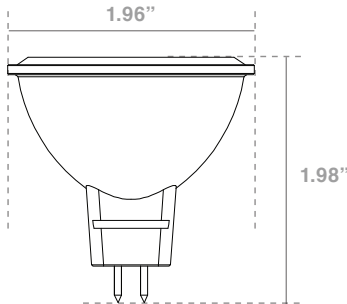


LED MR16 LAMPS
GU5.3 T20 SERIES



6W GU5.3



FEATURES:

- Wattage: 6W, replaces 35W Inc.
- Lumens: 500lm
- Input Voltage: 12V
- Base: GU5.3
- UV and IR free
- Color Rendering Index (CRI): ≥84
- Power Factor: 0.90
- Dimmable: Yes
- Beam Angle: 40°
- Supports Compliance of CEC Title 20 2016
- Suitable for use in damp locations
- Five year limited warranty
- 25,000 hour life at L70 standards

APPLICATIONS:

- Home
- Office
- Retail
- Hospitality
- Accent/display lighting
- Track lighting

WARRANTY:

5-year standard warranty
(further details available at www.maxlite.com/warranties)
Product may be eligible for a warranty extension to 10 years, for an additional fee. Contact MaxLite for details.

MODEL SELECTION (Full list of order codes on pg. 2)

Typical order example: 6MR16D27FL

| 6MR16 | | D | | FL |
|-----------------|---------------|-----------------|------------------------|---------------|
| FAMILY | BASE | DIMMABILITY | CCT | BEAM |
| 6MR16= 6W, MR16 | (OMIT)= GU5.3 | D= Dimmable LED | 27= 2700K 30= 3000K | FL= 40° Flood |

SPECIFICATIONS:

| ITEM | SPECIFICATION | DETAILS |
|----------------------------|--|----------------|
| GENERAL PERFORMANCE | Power Consumption | 6W |
| | Lumens Delivered | 500 |
| | Efficacy | 83 lm/W |
| | CRI | ≥84 |
| | Beam Angle | 40° |
| | Color Temperature (CCT) | 2700K, 3000K |
| | Lumen Maintenance (L70) | 25,000 Hours |
| ELECTRICAL | Power Factor | 0.90 |
| | Input Voltage | 12V |
| PHYSICAL | Base Type | GU5.3 |
| | Operating Temperature | -4°F - 104°F |
| CERTIFICATION | Suitable for totally enclosed luminaires | No |
| | Certification | cULus |
| | Environment | Dry & Damp |
| | Warranty | 5 Year Limited |

ORDERING:

| ORDER CODE | MODEL | WATTS | EQUIVALENCY | LUMENS | CBCP (cd) | CRI | CCT | BASE | BEAM ANGLE | CASE QTY |
|------------|------------|-------|-------------|--------|-----------|-----|-------|-------|------------|----------|
| 14099575 | 6MR16D27FL | 6 | 35W | 500 | 964 | 84 | 2700K | GU5.3 | 40° | 100pcs |
| 14099576 | 6MR16D30FL | | | | 1059 | | 3000K | | | |

COMPATIBLE DIMMER LIST

| DIMMERS | | TRANSFORMERS | | |
|---------|--------------|--------------|-------|--------------------------|
| BRAND | MODEL NUMBER | C60 | C-150 | WACLIGHTING EN-1275-R-AR |
| LUTRON | NTLV-600 | GOOD | BAD | GOOD |
| | DVELV-300P | BAD | BAD | GOOD |
| | AYLV-600P | GOOD | GOOD | GOOD |
| | DVLV-600P | GOOD | GOOD | GOOD |
| | MRF2-3LD | GOOD | GOOD | GOOD |
| LEGRAND | DLV703P | GOOD | GOOD | GOOD |