

PATHMAX™ LED BOLLARDS
CLASSIC SERIES DOME TOP



Shown with louvers



Shown with cone reflector



Shown with glare shield



PRODUCT DESCRIPTION:

The round Classic LED Bollard is an economical and energy efficient choice for lighting walkways, plazas and other pedestrian areas in commercial and residential applications.

FEATURES:

- 120-277V with dimming capability
- Dimming driver standard
- CRI ≥80
- 10 year warranty
- Up to 50,000 hour L70 lifetime, TM-21 standards @ 25°C

CONSTRUCTION:

- Extruded Aluminum housing
- Clear Polycarbonate lens
- An optional GFCI can be installed and centered 12" from the top of the shaft

ENVIRONMENT:

- CSA Group for wet locations
- IP65 rated Optical system

INSTALLATION:

- Flush Mounting Base with Vandal Resistant Screws
- Installation Kit with 8" Anchor Bolts Included

WARRANTY:

10-year standard warranty with labor allowance* (further details available at www.maxlite.com/warranties)
*Warranty Limitations: Product must be rated for the application per the Product Data Sheet (PDS); operated ≤16 hrs; in ambient of -29°F to 104°F.

*Up to \$25/unit; labor allowances of up to \$500/unit available for purchase – contact MaxLite representative for details.

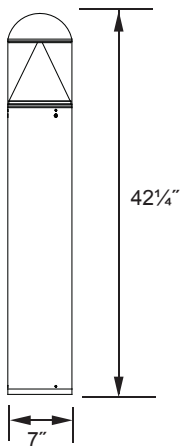
MODEL SELECTION			Typical order example: BL-CLR2D18U-40B								
BL	-		RD		U	-		B			
FAMILY	-	SUB FAMILY	SHAPE	WATTAGE	VOLTAGE	-	LED MODULE	FINISH	DISTRIBUTION	HEIGHT	OPTIONS
BL= Bollards	-	CL2= Classic Series, DLC Premium Listed	RD= Round	18= 18W	U= 120-277V	-	30= 3000K, 80 CRI 40= 4000K, 80 CRI 50= 5000K, 80 CRI	B= Bronze <i>Contact MaxLite for additional finishes</i>	(Blank)= Wide Beam	(Blank)= 42"	(Blank)= None
		CL= Classic Series, BAA compliant		17= 17W					(Blank)= Wide Beam	(Blank)= 42" 36= 36" 30= 30" <i>Contact MaxLite for custom lengths</i>	GF= GFCI Outlet, 15A, 120V GS= 180o
									T3= Type 3, Cone Reflector		
									LR= Louver		

SPECIFICATIONS:

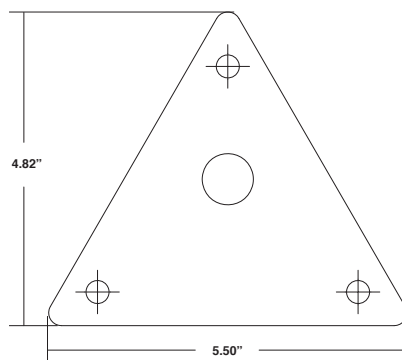
ITEM	SPECIFICATION	DETAILS		
		BL-CL2RD18U-XXX	BL-CLRD17U-XXXT3	BL-CLRD17U-XXXBLR
GENERAL PERFORMANCE	Input Power (W)	18	17	17
	Lumens Delivered (lm)	2200	918-1,081	675-763
	Efficacy (lm/W)	118	up to 64	up to 45
	CRI	84	80	
	Lumen Maintenance (L70, TM-21 @ 25°C)	>50,000 hours		
	Surge Protection	10kV	2kV	
	BUG	B1-U3-G1	B0-U2-G1 / B0-U3-G1 (5000K only)	B1-U2-G1
ELECTRICAL	Input Voltage	120-277V		
	Power Factor	≥90%		
PHYSICAL	Housing	Aluminum		
	Mounting	Flush mounting base; anchor bolts for mounting included		
CERTIFICATION	Certification	cULus, IP65,	cCSAus, IP65, BAA compliant	
	Environment	Outdoor, wet location		
	Warranty	10 year warranty*		
	Operating Temperature	-40°F - 104°F (-40°C - 40°C)		
QUALIFICATION	DesignLights Consortium	DLC Premium	N/A	

Lighting layouts and spacing criteria available upon request.

DIMENSIONAL DRAWING:



BL-CL2 MOUNTING BASE:



BL-CL MOUNTING BASE:

