

PROJECT NAME: \_\_\_\_\_ CAT. #: \_\_\_\_\_  
 NOTES: \_\_\_\_\_ FIXTURE SCHEDULE: \_\_\_\_\_

# PathMAX™ Bollards



Shown with dome top



Shown with flat top

### Product Description:

The Round Classic LED Bollard is an economical and energy efficient choice for lighting walkways, plazas and other pedestrian areas in commercial and residential applications. Constructed of durable aluminum for maximum weatherability, the bollard features a specialized cone reflector that projects light down and outward for ample illumination that enhances pedestrian safety and security.

### Features:

- 8" outside diameter
- 36" height standard
- Sealed fixture is dirt and bug free
- CRI: ≥80
- 5 year warranty

### Construction:

- Extruded aluminum Housing
- Powder coated to be rust and corrosion proof
- Internal Aluminum cone reflector
- Clear polycarbonate lens
- 4kV Surge Standard

### Installation:

- Mounting base is included standard with versatile mounting holes. See mounting base details on page 2.

## Ordering Information

BL	-	CL		38	U	-	40		36	
FAMILY	-	SUB FAMILY	SHAPE	WATTAGE	VOLTAGE	-	COLOR TEMPERATURE	FINISH	DISTRIBUTION	HEIGHT
BL= Bollards	-	CL= Classic Series	RD= Round, Dome Top RF= Round, Flat Top	38= 38W	U= 120-277V	-	40= 4000K, CRI 80 <sup>+</sup>	B= Bronze L= Black S= Silver W= White	(Blank)= Type V	36= 36"



**5-year standard warranty with labor allowance\*** (further details available at [www.maxlite.com/warranties](http://www.maxlite.com/warranties))  
 Product may be eligible for a warranty extension to 10 years, for an additional fee. Contact MaxLite for details.

# PathMAX™ Bollards

## Specifications

	DOME TOP	FLAT TOP
Power Consumption (W)	38W	
Lumens Delivered (lm)	3,610	
Efficacy (lm/W)	95	
CRI	≥95	
CCT (K)	4000K	
Spacing Criteria	Available upon request	
BUG Rating	B2-U3-G1	
L70 Lifetime (hrs)	≥50,000 Hrs	
Operating Temperature	-40°F - 122°F (-40°C - 50°C)	
Certification	cULus, Wet Location, IP65	
Warranty	5 year warranty	

Lighting layouts and spacing criteria available upon request.

## Layouts:

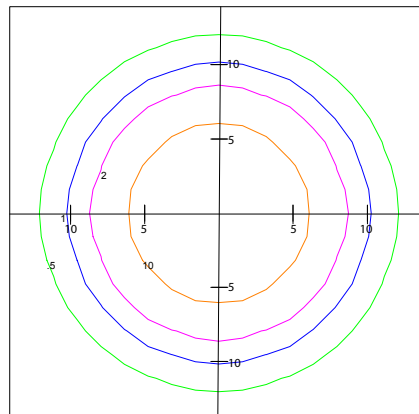
Each gridline represents one mounting height.

For mounting heights other than noted multiply FC by the below factor.

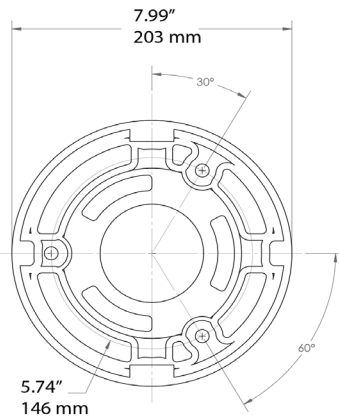
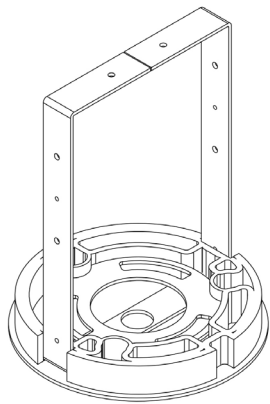
$$\text{Factor} = \frac{(\text{Chart's Mtg Height})^2}{(\text{Actual Mtg Height})^2}$$

### LEGEND

- 0.5 fc
- 1 fc
- 2 fc
- 10 fc

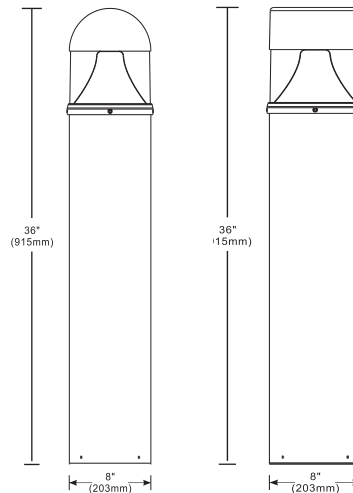


## Mounting Base:



Round

## Dimensional Drawing:



Square