

PROJECT NAME: _____ CAT. #: _____
 NOTES: _____ FIXTURE SCHEDULE: _____

Lamp Ready Highbay - T8 LED BLHT Series



Product Description

The MaxLite T8 LED Lamp Ready linear Highbay provides distributors, contractors, and buyers with a ETL listed fixtures designed specifically for LED T8 lamps. These Linear Highbay are constructed of the same durable materials as our Commercial Industrial grade fluorescent and LED PCB versions. These fixtures support competitive light output when used with MaxLite brand T8 LED Single/Double ended lamps. These fixtures are verified for use in Highbay, Lowbay, assembly, warehouse, and other general lighting applications

Caution: This product only works with Type B T8 lamps with single ended functionality under 22 watts and must be purchased separately from Maxlite.

Maxlite offers a variety of Type B lamps with single ended functionality, including Single ended, Dual mode (Single/Double ended) and hybrid which includes single ended capability. Check Maxlite's latest lamp offerings at maxlite.com for ordering information.

Features

- Designed for LED Single/Double Ended lamps - Lamps supplied separately
- Designed for LED Single/Double Ended lamps - Lamps supplied separately
- Maximum Photometric Efficiency with directional lamps
- V-Hooks std. with fixture, Cable kit mounting accessory available.
- Knockouts on each end for motion sensor mounting

Controls - Occupancy sensor

- 100% Digital PIR (Passive Infrared) Detection - on/off function
- Can adjust sensitivity of PIR Detector (30% to 100%)
- Excellent Radio Frequency Immunity
- Up to 30 ft mounting height
- 15-20 ft (4.57-6.10 m), 360° Radial Coverage Pattern,
- Covers up to 450 sq.ft
- Self-Contained Relay
- No Power Pack Needed
- Interchangeable Hot & Load Wires
- Impossible to Wire Backwards
- Adjustable Time Delay from 15 seconds to 30 minutes
- No Field Calibration or Sensitivity Adjustments Required
- No required Ground

Construction

- 22 Gauge Galvanized Steel, white post painted baked on enamel.
- High Polish Reflector - 86% enhanced
- Damp rated housings
- Supplied with ONLY non-shunted sockets and single ended wiring configurations. For questions, contact MaxLite.
- Fits current MaxLite Linear HB door, wire guard, and lens accessories

Warranty

- 5 years. Check maxlite.com/warranties for details.

Ordering Information

ORDER CODE	ITEM NUMBER	DESCRIPTION	DIMENSIONS LxWxH (inches)	NUMBER OF LAMPS
75428	BLHT4XT8USE4810	HIGHBAY, LINEAR, LAMP READY 4XT8 LED, 120-277V, SINGLE/DOUBLE ENDED	48"x10"x3"	4/22W Max
75429	BLHT6XT8USE4815	HIGHBAY LINEAR, LAMP READY 6XT8 LED, 120-277V, SINGLE/DOUBLE ENDED	48"x15"x3"	6/22W Max
75430	BLHT8XT8USE4820	HIGHBAY LINEAR LAMP READY 8XT8 LED, 120-277V, SINGLE/DOUBLE ENDED	48"x20"x3"	8/22W Max

NOTE: For ordering Occupancy sensor, add "MSO" suffix to model number

Lamp Ready Highbay - T8 LED

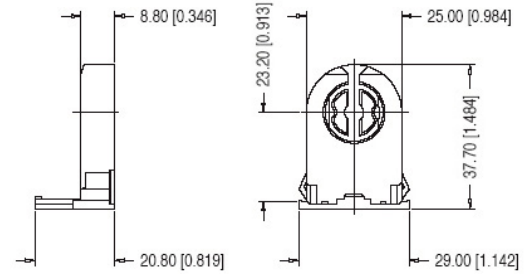
BLHT Series

T8 Accessories

ORDER CODE	ITEM NUMBER	DESCRIPTION
70224	SKFHBLC120	120V 10' CORD WITH PLUG
70225	SKFHBLC277	277V 10' CORD WITH PLUG
71119	MLCHKSQ	6 LAMP T8 & T5 STEP DOWN TRANSFORMER (347-200V & 480-277V)
73978	G13LPNS	LINEAR HIGHBAY CABLE HANGING KIT G13 LOW PROFILE NON-SHUNTED LAMP HOLDER



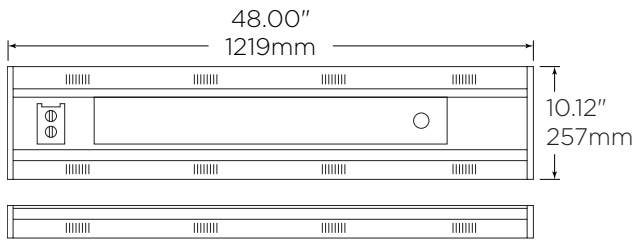
G13LPNS



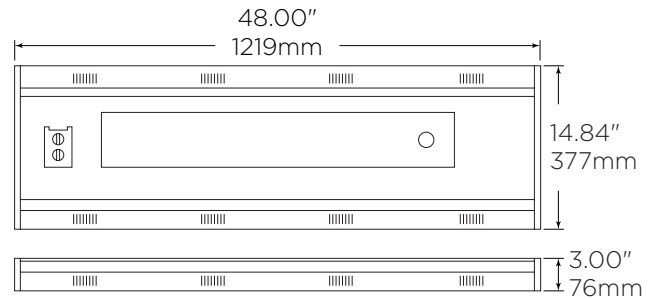
Note: Accessories are special order only. Wire Guards are available upon request

Dimensions

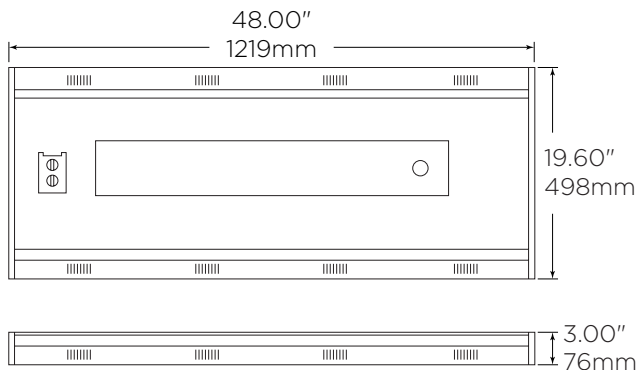
BLHT4XT8USE4810



BLHT6XT8USE4815



BLHT8XT8USE4820



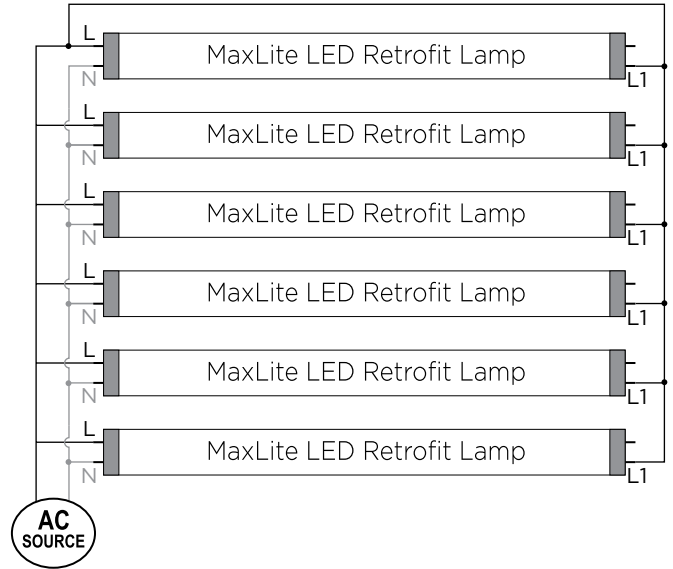
Lamp Ready Highbay - T8 LED BLHT Series

Wiring Diagrams

4-Lamp Configuration



6-Lamp Configuration



8-Lamp Configuration

