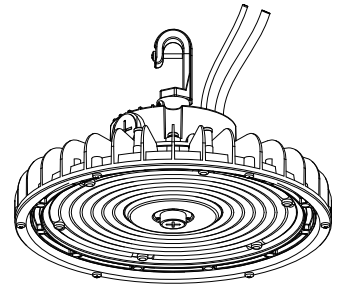


# MaxLite® BayMax Pendant High Bay - Economical



## General Safety Information

- To reduce the risk of death, personal injury or property damage from fire, electric shock, falling parts, cuts/abrasions, and other hazards read all warnings and instructions included with and on the fixture box and all fixture labels.
- Before installing, servicing, or performing routine maintenance upon this equipment, follow these general precautions.
- Commercial installation, service and maintenance of luminaires should be performed by a qualified licensed electrician.
- **DO NOT INSTALL DAMAGED PRODUCT!**
- This fixture is intended to be connected to a properly installed and grounded UL listed junction box.



All pictures and drawings are for illustration purposes only. Your model may vary.

### WARNING:

#### RISK OF ELECTRICAL SHOCK

- Turn off electrical power at fuse or circuit breaker box before wiring fixture to the power supply.
- Turn off the power when you perform any maintenance.
- Verify that supply voltage is correct by comparing it with the luminaire label information.
- Make all electrical and grounded connections in accordance with the National Electrical Code and any applicable local code requirements.
- All wiring connections should be capped with UL approved wire connectors.

### CAUTION:

#### RISK OF INJURY

- Wear gloves and safety glasses at all times when removing luminaire from carton, installing, servicing or performing maintenance.
- Avoid direct eye exposure to the light source while it is on.
- Account for small parts and destroy packing material, as these may be hazardous to children.

### CAUTION:

- This product can only be dimmed with standard 0-10V low voltage dimming systems.

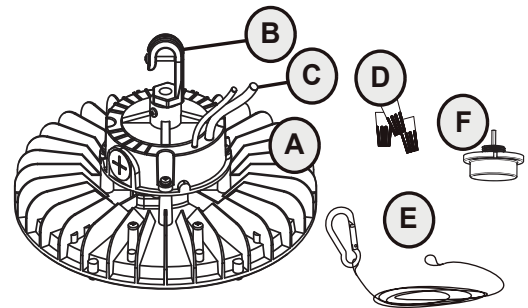
### CAUTION:

#### RISK OF FIRE

- Keep combustible and other materials that can burn away from luminaire and lamp/lens.

## BPHE3 Series

### Included Components:



Part	Item Name	Qty.
A	Fixture	1
B	Mounting hook (pre-installed)	1
C	Input power connection cord	1
D	Wire nuts	3
E	Safety Cable	1
F	Motion Sensor (Optional Purchase)	1



# MaxLite® BayMax Pendant High Bay - Economical

**NOTICE:**

This device complies with Part 15 of the FCC Rules. Operation is subject to the following two conditions: (1) This device may not cause harmful interference, and (2) this device must accept any interference received, including interference that may cause undesired operation.

This equipment has been tested and found to comply with the limits for a Class B digital device, pursuant to part 15 of the FCC Rules. These limits are designed to provide reasonable protection against harmful interference in a residential installation. This equipment generates, uses and can radiate radio frequency energy and, if not installed and used in accordance with the instructions, may cause harmful interference to radio or television reception, which can be determined by turning the equipment the equipment off and on. The user is encouraged to try to correct the interference by one or more of the following measures:

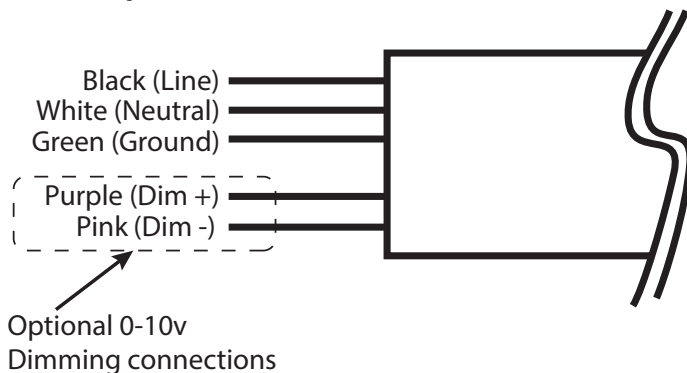
- Reorient or relocate the receiving antenna.
  - Increase the separation between the equipment and the receiver.
  - Connect the equipment into an outlet on a circuit different from that to which the receiver is connected.
  - Consult the dealer or an experienced radio/TV technician for help.
- This Class B digital apparatus complies with Canadian ICES-003.

## Wiring Instructions

**CAUTION:** Turn off electrical power at fuse or circuit breaker box before wiring fixture to the power supply.

**NOTE:** All pictures and drawings are for illustration purposes only. Your model may vary.

### Input connections

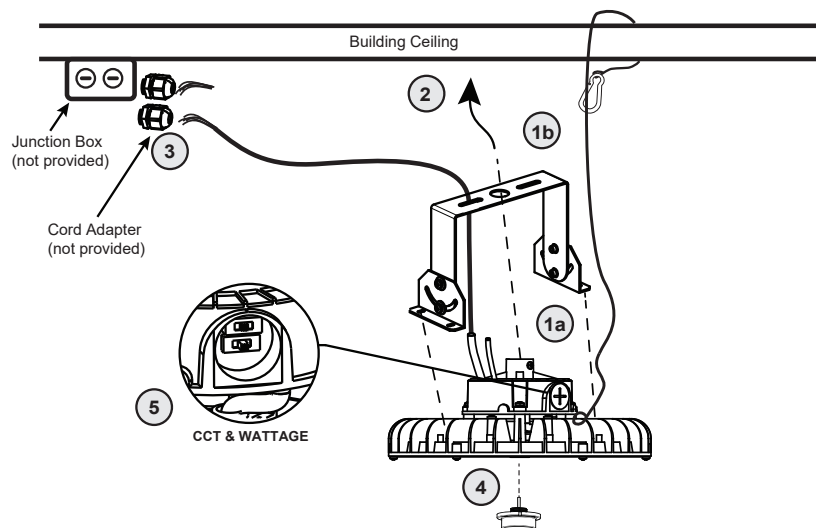


## CCT And Wattage Switch Instructions:

1. Turn off the power supply before adjusting the power and color temperature.
2. Locate the CCT and Wattage Switch at the back of the fixture. Guide the button on the labelled switch without removing the silicone cover to set the CCT and wattage according to requirements.

**NOTE:** Default CCT is 5000K. For wattage select models the default wattage is the lowest setting.

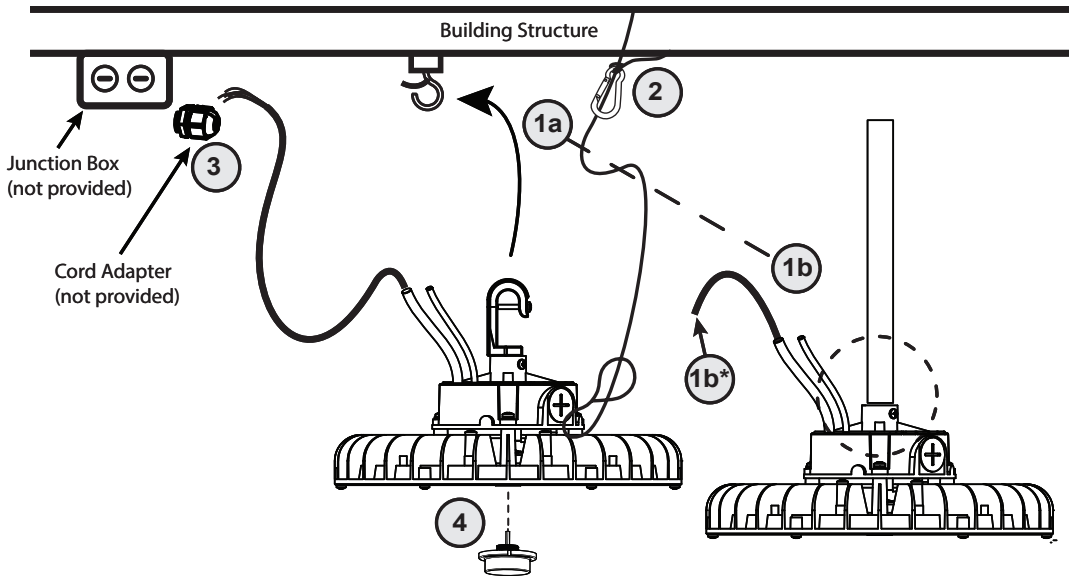
**NOTE:** These instructions only apply to the models with CCT and/or Wattage select capability. High Voltage models are neither CCT or wattage selectable.



MaxLite® BayMax Pendant High Bay - Economical



Mounting Instructions

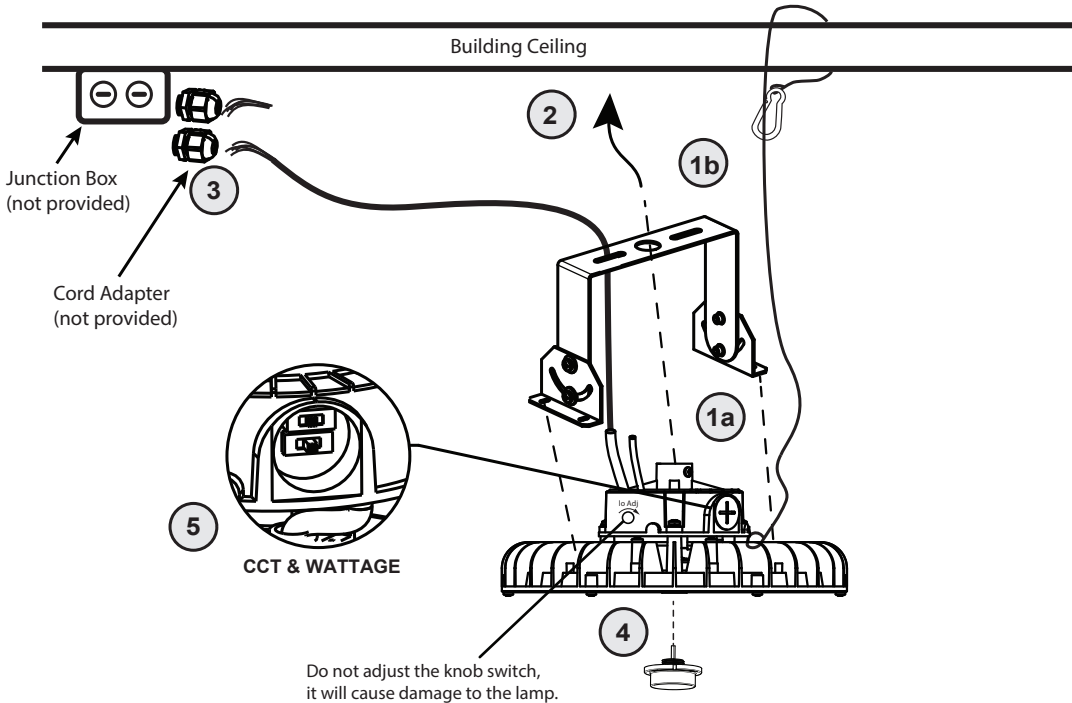


- 1a. **Hook/Chain mount:** Use the hook to mount directly to the building, or use a chain to drop-mount the fixture.
- 1b. **Pendant Mount:** Twist out the pre-installed hook to access the 1/2" NPS threads and install pendant tubing directly or by using an adapter. Note that threaded port does not gain access to wiring compartment, so the supply cord will still be used to connect to power source.
- 1b\*. **NOTE:** Pendant mount method still requires power to be provided by the supply cord external to the pendant tube, pendant attachment point does NOT provide access into wiring compartment.
- 2. Attach one end of the safety cable hook to fixture body and loop the safety cable around a structural member of the building (providing a secondary support for the mounted fixture.)
- 3. Route the input cord into building junction box using appropriate adapters as required (not provided). Connect input wires as indicated in the following wiring diagram.
- 4. The optional motion sensor is a twist and lock sensor that is quick and easy to secure. (Two optional motion sensors are available for this product the same is both.)

MaxLite® BayMax Pendant High Bay - Economical



U-Bracket Mounting Instructions



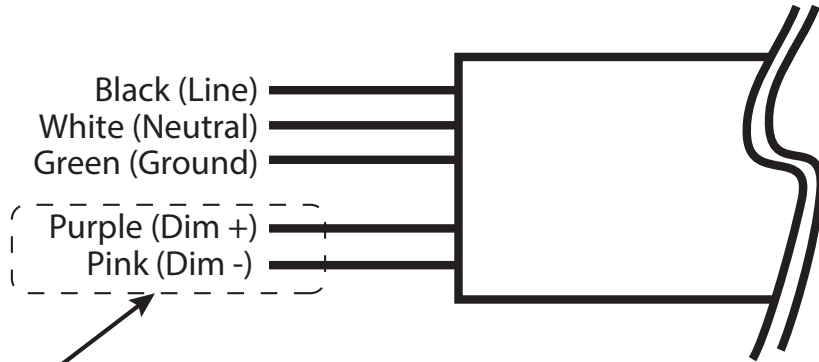
- 1a. **U-Bracket:** Connect fixture heads to the swivel U-Bracket, screw bracket to fixture, secure hook and pass chain through the U-Bracket. Route input cable through U-bracket.
- 1b. **Hook connector:** Use the hook to connect directly to the bracket for surface mounting. For added security, attach the safety cable to fixture.
2. Once the hook is connected to linkable bracket, lift off ground and mount onto the preferred surface with screws (provided) by manufacture for wall and ceiling mounting options.
3. Route the input cord into building junction box using the appropriate adapters as required (not provided). Connect input wires as indicated in the wiring diagram.
4. The optional motion sensor is a twist and lock sensor that is quick and easy to secure. (Two optional motion sensors are available for this product the same is both.)
5. Please turn off the power supply before adjusting the wattage and color temperature (5) otherwise it will cause damage to the fixture. (Unscrew the plug for adjustment and then screw it back in.)



# MaxLite® BayMax Pendant High Bay - Economical

## Wiring Diagram

### Input connections



Optional 0-10v  
Dimming connections

## Care and Maintenance

Clean with a mild, non-abrasive glass cleaner and soft cloth. Do NOT use solvents or cleaners containing abrasive agents. When cleaning the fixture, make sure the power is turned off, and any liquid spray should be applied to the cleaning cloth and not sprayed directly onto the fixture itself.

## Troubleshooting

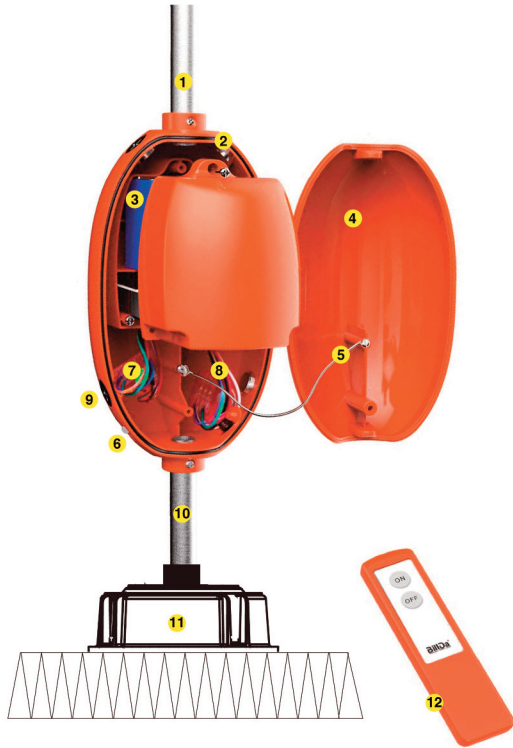
PROBLEM	POSSIBLE SOLUTION	CORRECTIVE ACTION
Fixture does not light.	<ol style="list-style-type: none"> <li>1. Power is off.</li> <li>2. Incorrect wire connection.</li> <li>3. Defective wall switch.</li> </ol>	<ol style="list-style-type: none"> <li>1. Check circuit breaker or wall switch.</li> <li>2. Check wire splices.</li> <li>3. Replace switch.</li> </ol>
Circuit breaker trips when light is turned on.	Crossed wires or power wire is grounded out.	Verify wires are correctly connected.

# MaxLite® BayMax Pendant High Bay - Economical

## Battery Backup Accessory Installation Instructions (Sold Separately)

### Battery Backup (EBUUP17515E0200A)

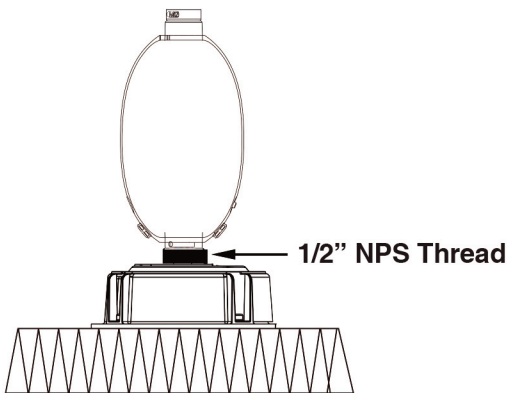
1. Locate the critical components of the Emergency LED driver as shown. (Remote control sold separately) (Fig. 1)



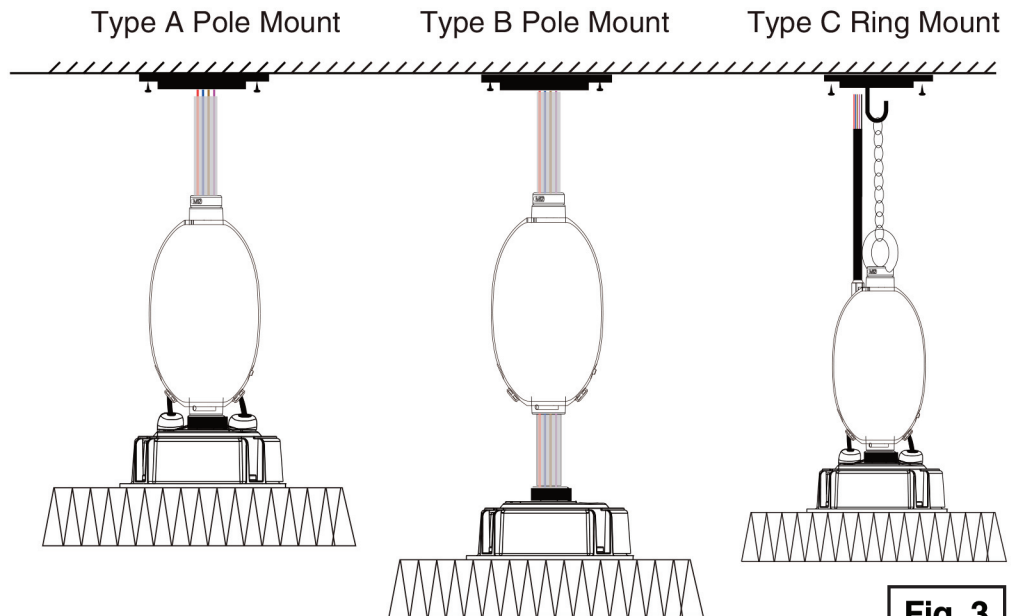
- 1 Pipe (sold separately)
- 2 Water Proof Rubber Ring
- 3 Battery
- 4 Cover
- 5 Safety Cable
- 6 Test Switch Indicator light
- 7 Junction Box
- 8 Junction Box
- 9 Outlet
- 10 Connecting Rod (sold separately)
- 11 UFO LED High bay
- 12 Remote Control

**Fig. 1**

2. Unscrew the hook from the fixture and use the standard 1/2" NPS connector to connect the emergency driver to the fixture (Fig. 2). See different mounting solutions. (Fig. 3)



**Fig. 2**



**Fig. 3**

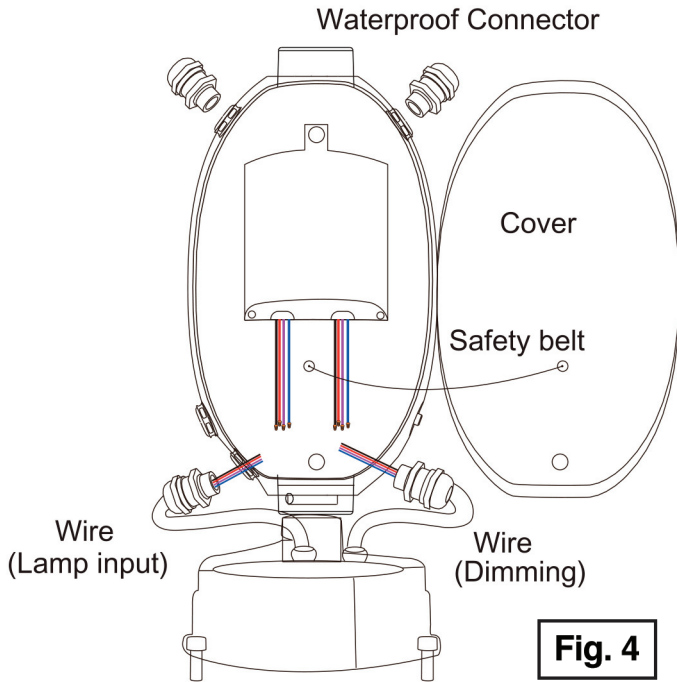
MaxLite® BayMax Pendant High Bay - Economical



**Battery Backup Accessory Installation Instructions (Sold Separately)**

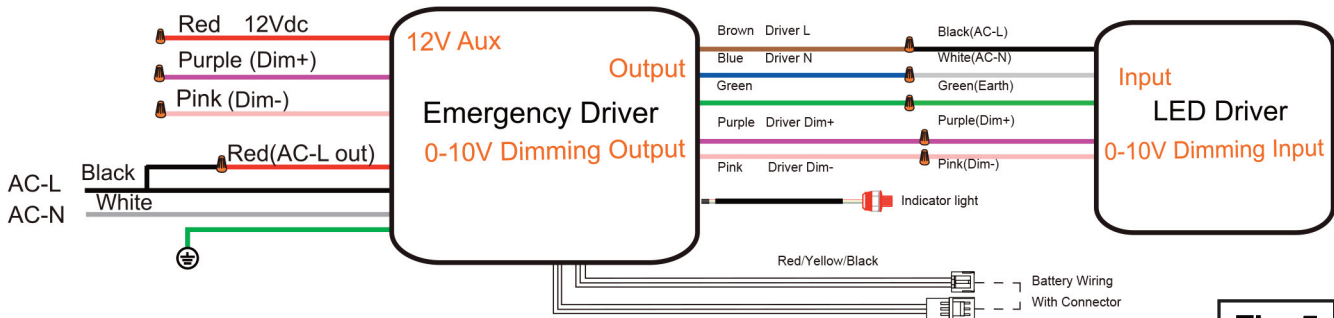
**Battery Backup (EBUUP17515E0200A)**

3. Pull all wires through the waterproof connectors into the Cavity of emergency driver. (Fig. 4)



**Fig. 4**

4. Make the wiring connections with the luminaire using the following wiring diagram (Fig. 5)



**Fig. 5**

**NOTE:** Wiring diagram for applications without wall switch, dimmer, and sensor.

5. Use the IP rated stress relief connectors (included with the Emergency driver) to ensure that the connections are secure.

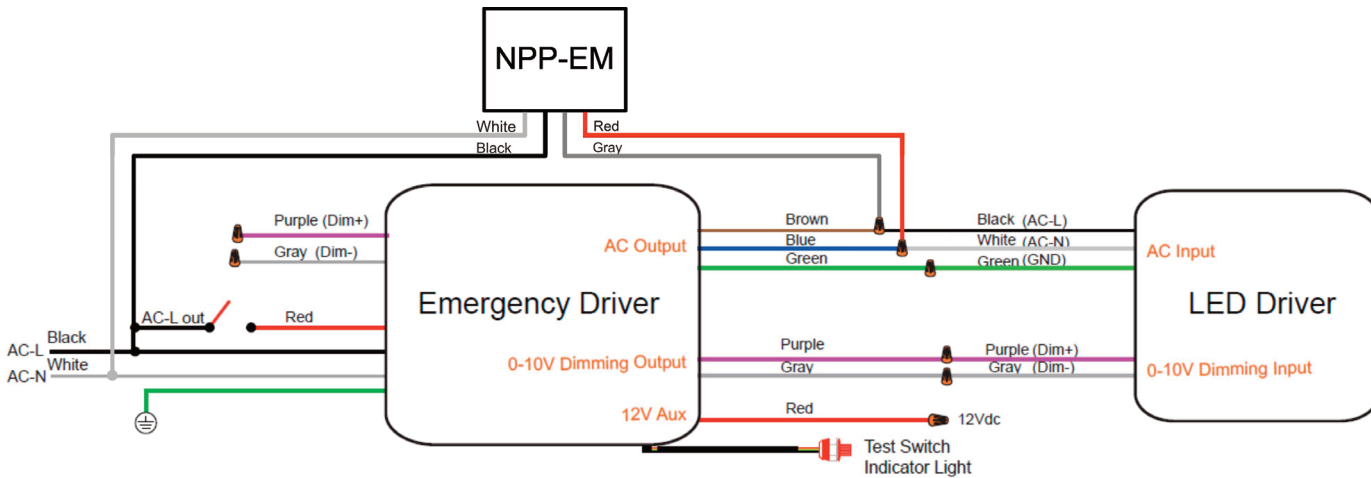


# MaxLite® BayMax Pendant High Bay - Economical

## NPP-EM Accessory Installation Instructions (Sold Separately)

For 120-277V Models, Emergency BBU and c-Max Basic controls nodes (CNA-RDMSW) are not compatible. If controls are needed when using Emergency BBU, need to purchase NPP-EM and c-Max Network nodes (NNA-RDW / NNA-RDMSW) separately

1. Connect the NPP-EM to BPHE fixture following the wiring diagram
2. Install and secure NPP-EM to top knockout on Emergency BBU (EPUUP17515E0200A)
3. Install NNA-RDW or NNA-RDMSW (sold separately) to the Highbay
4. Refer to the c-Max guide for detailed instructions for commissioning



**Fig. 6**



## MaxLite® BayMax Pendant High Bay - Economical



### Warranty Information

MaxLite Inc. warrants its products for a minimum period of **FIVE (5)** years from the date of original purchase from MaxLite or its authorized distributor/dealer (the "Warranty Period"), as follows: If a Product fails to operate during the Warranty Period as a result of defects in materials or workmanship, MaxLite will, at its option, repair it, replace it with the same or like Product.

Please refer to Maxlite's website (at <http://maxlite.com/resources/warranties>) for the complete terms and conditions of our warranty.

#### Limitation of Liability

THE FOREGOING WARRANTY IS EXCLUSIVE, AND IS THE SOLE REMEDY FOR ANY AND ALL CLAIMS, WHETHER IN CONTRACT, IN TORT OR OTHERWISE ARISING FROM THE FAILURE OF PRODUCT AND IS IN LIEU OF ALL OTHER WARRANTIES, EXPRESS OR IMPLIED, INCLUDING ALL WARRANTIES OF MERCHANTABILITY OR FITNESS FOR A PARTICULAR PURPOSE, WHICH WARRANTIES ARE HEREBY EXPRESSLY DISCLAIMED TO THE EXTENT PERMITTED BY LAW AND, IN ANY EVENT, SHALL BE LIMITED TO THE WARRANTY PERIOD SPECIFIED ABOVE. THE LIABILITY OF MAXLITE SHALL BE LIMITED TO THE TERMS OF THE EXPRESS WARRANTY SET FORTH HEREIN. IN NO EVENT WILL MAXLITE BE LIABLE FOR ANY SPECIAL, INCIDENTAL OR CONSEQUENTIAL DAMAGES INCLUDING, WITHOUT LIMITATION, DAMAGES RESULTING FROM LOSS OF USE, PROFITS, BUSINESS OR GOODWILL, LABOR COSTS, REMOVAL OR INSTALLATION COSTS, DECREASE IN THE LIGHT OUTPUT OF THE LAMP, AND/OR DETERIORATION IN THE LAMP'S PERFORMANCE, WHETHER OR NOT MAXLITE HAS BEEN ADVISED OF THE POSSIBILITY THEREOF. UNDER NO CIRCUMSTANCES SHALL MAXLITE'S ENTIRE LIABILITY FOR A DEFECTIVE PRODUCT EXCEED THE PURCHASE PRICE OF THAT PRODUCT. WARRANTY SERVICES PROVIDED UNDER THESE TERMS AND CONDITIONS DO NOT ENSURE THE UNINTERRUPTED OPERATION OF PRODUCTS; MAXLITE SHALL NOT BE LIABLE FOR DAMAGES CAUSED BY ANY DELAYS INVOLVING WARRANTY SERVICE.

This Limited Warranty gives you specific legal rights and you may also have other rights that may vary from state to state. Because some states or jurisdictions do not allow the exclusion or limitation of liability for consequential or incidental damages, this limitation may not apply to you.