

ENCLOSED LED A19 FILAMENT LAMPS CLEAR/FROSTED JA8 GLASS SERIES



Frosted Glass



Clear Glass

PRODUCT DESCRIPTION:

MaxLite's energy-efficient dimmable LED filament lamps are energy saving decorative lamps designed to reproduce the elegant ambient effect of incandescent lamps for hospitality, restaurant, residential and retail applications.



FEATURES:

- Wattage: 8.5W (replaces 60W Incandescent lamp)
- CRI: 91
- Beam Angle: 360°
- Instant on
- Dimmable down to 10%
- Suitable for damp locations
- Suitable for enclosed luminaires

APPLICATIONS:

- Table lamps
- Lanterns
- Pendants
- Decorative lighting fixtures

WARRANTY:

3-year standard warranty (further details available at www.maxlite.com/warranties)

ORDER STRUCTURE

FAMILY	DIMMABLE	CRI & COLOR TEMPERATURE
EF8.5A19 = Enclosed Rated 8.5W A19, clear glass EFF8.5A19 = Enclosed Rated 8.5W A19, frosted glass	D = Dimmable	927/JA8 = 91 CRI, 2700K 930/JA8 = 91 CRI, 3000K

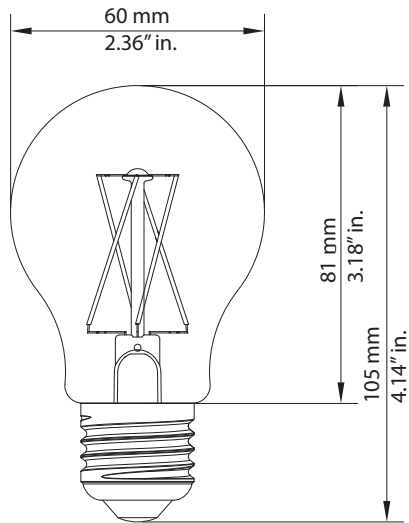
STOCKED ITEMS

ORDER CODE	MODEL NUMBER	ENERGY STAR ID #
102275	EF8.5A19D927/JA8	2339513
102999	EF8.5A19D930/JA8	N/A
101150	EFF8.5A19D927/JA8	2339511
102434	EFF8.5A19D930/JA8	2339512

SPECIFICATIONS

		EF8.5A19D9xx/JA8	EFF8.5A19D9xx/JA8
ITEM	SPECIFICATION	DETAILS	
GENERAL PERFORMANCE	Power Consumption (W)	8.5W	
	Lumens Delivered (lm)	800 lm	
	Efficacy (lm/W)	94 lm/W	
	CRI	91	
	Color Temperature (K)	2700K, 3000K	
	L70 Lumen Maintenance* (hours)	15,000 Hrs.	
ELECTRICAL	Power Factor	≥0.90	
	Input Voltage	120V	
PHYSICAL	Operating Temperature	-4°F - 104°F	
	Glass	Clear	Frosted
	Tc Point	≤95°	
CERTIFICATIONS	Certifications	ENERGY STAR, cULus Listed, CEC Listed, Supports Compliance of JA8-2016-E, Title 20	
	Material Usage	RoHS compliant; no mercury	
	Environment	Indoor - Dry/Damp	
	Warranty	3 years warranty	

DIMENSIONS



DIMENSIONS			
PRODUCT	L	W	H
EF8.5A19D927/JA8	4.14"	2.36"	3.18"
EF8.5A19D930/JA8			
EFF8.5A19D927/JA8	4.01"	2.36"	3.18"
EFF8.5A19D930/JA8			

ENCLOSED LED A19 FILAMENT LAMPS
CLEAR/FROSTED JA8 GLASS SERIES

COMPATIBLE DIMMERS:

MANUFACTURE	DIMMERS PART #	# OF LAMPS WITH DIMMER					
		1	2	3	4	5	6
COOPER	CD703-PW	GOOD	GOOD	GOOD	GOOD	GOOD	GOOD
	SELV-300P	GOOD	GOOD	GOOD	GOOD	GOOD	GOOD
LEGRAND	DVELV-300P	GOOD	GOOD	GOOD	GOOD	GOOD	GOOD
	NELV-450	GOOD	GOOD	GOOD	GOOD	GOOD	GOOD
	H703PTCCCV6	GOOD	GOOD	GOOD	GOOD	GOOD	GOOD
	9530WS	GOOD	GOOD	GOOD	GOOD	GOOD	GOOD
	DLC03P	GOOD	GOOD	GOOD	GOOD	GOOD	GOOD
	6631	GOOD	GOOD	GOOD	GOOD	GOOD	GOOD
	GTJ-150	GOOD	GOOD	GOOD	GOOD	GOOD	GOOD
LEVITON	DVCL-153P	FLICKER	GOOD	GOOD	GOOD	GOOD	GOOD
	LGCL-153PL	GOOD	GOOD	GOOD	GOOD	GOOD	GOOD
	6613-P	GOOD	GOOD	GOOD	GOOD	GOOD	GOOD
	6674	GOOD	GOOD	GOOD	GOOD	GOOD	GOOD
	6672	GOOD	GOOD	GOOD	GOOD	GOOD	GOOD
	HCL453PTCCCV6	GOOD	GOOD	GOOD	GOOD	GOOD	GOOD
	DVLV-600	GOOD	GOOD	GOOD	GOOD	GOOD	GOOD
	6674	GOOD	GOOD	GOOD	GOOD	GOOD	GOOD
	DLV703-PLA	GOOD	GOOD	GOOD	GOOD	GOOD	GOOD
D703-PTC	FLICKER	GOOD	GOOD	GOOD	GOOD	GOOD	
LUTRON	CDLV703-PW	FLICKER	FLICKER	FLICKER	GOOD	GOOD	GOOD
	DVCL-153PL	GOOD	GOOD	GOOD	GOOD	GOOD	GOOD
	TGCL153	GOOD	GOOD	GOOD	GOOD	GOOD	GOOD
	TG-600PHLH	GOOD	GOOD	GOOD	GOOD	GOOD	GOOD
	MACL-153	GOOD	GOOD	GOOD	GOOD	GOOD	GOOD
	GL-600H	GOOD	GOOD	GOOD	GOOD	GOOD	GOOD
	DV-600P	GOOD	GOOD	GOOD	GOOD	GOOD	GOOD
	TT-300	GOOD	GOOD	GOOD	GOOD	GOOD	GOOD
	TTCL-100H	GOOD	GOOD	GOOD	GOOD	GOOD	GOOD
	DV-603PG	GOOD	GOOD	GOOD	GOOD	GOOD	GOOD
	LGCL-153PL	GOOD	GOOD	GOOD	GOOD	GOOD	GOOD
	D-603PH	GOOD	GOOD	GOOD	GOOD	GOOD	GOOD
	CN-600	GOOD	GOOD	GOOD	GOOD	GOOD	GOOD
	AY-600P	GOOD	GOOD	GOOD	GOOD	GOOD	GOOD
	IPI06	FLICKER	GOOD	GOOD	GOOD	GOOD	GOOD
	6684	GOOD	GOOD	GOOD	GOOD	GOOD	GOOD
	6683	GOOD	GOOD	GOOD	GOOD	GOOD	GOOD
	6633-P	GOOD	GOOD	GOOD	GOOD	GOOD	GOOD
SCL153P	GOOD	GOOD	GOOD	GOOD	GOOD	GOOD	