

## CLEAR AND FROSTED LED FILAMENT LAMPS



Clear Glass



Frosted Glass

### PRODUCT DESCRIPTION:

MaxLite's new energy-efficient dimmable clear and frosted LED filament lamps are energy saving decorative lamps designed to reproduce the elegant ambient effect of incandescent lamps for hospitality, restaurant, residential and retail applications.



### FEATURES:

- L70: 15,000Hrs
- Dimmable to 10%
- Available in 2700K (Clear), 3000K (Frosted)
- T20 and JA8 Listed

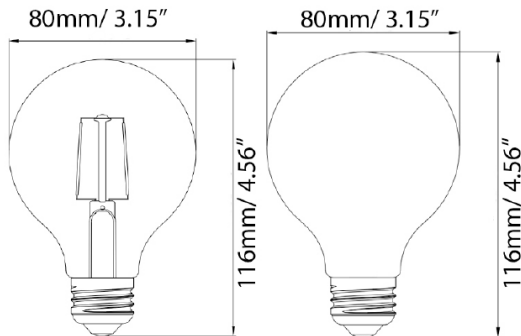
### WARRANTY:

3-year standard warranty  
(further details available at [www.maxlite.com/warranties](http://www.maxlite.com/warranties))

### ORDER STRUCTURE

FAMILY	WATTAGE (NOMINAL)	LAMP TYPE	DIMMABLE	CRI & COLOR TEMPERATURE
<b>EF</b> = Enclosed Filament (Clear)	<b>8.5</b> = 8.5W	<b>G</b> = G25 Globe	<b>D</b> = Dimmable	<b>927/JA8</b> = 90 CRI, 2700K, JA8 Compliant
<b>EFF</b> = Enclosed Frosted Filament				<b>930/JA8</b> = 90 CRI, 3000K, JA8 Compliant

### DIMENSIONS



DIMENSIONS		
MOL	D	H
4.56	3.15	3.15"
4.56	3.15	3.15"

SPECIFICATIONS		EF8.5G25D927/JA8	EFF8.5G25D930/JA8
ITEM	SPECIFICATION	DETAILS	
GENERAL PERFORMANCE	Power Consumption (W)	8.5W	
	Lumens Delivered (lm)	800 lm	
	Efficacy (lm/W)	94 lm/W	
	CRI	≥90	
	Color Temperature (K)	2700K	3000K
ELECTRICAL	Power Factor	≥ 0.7	
	Input Voltage	120V, 60Hz	
	Replacement	60W	
PHYSICAL	Base Type	E26	
	Operating Temperature	-4°F - 104°F	
QUALIFICATION	Certification/Standard	ENERGY STAR, JA8-2019-E Listed, T20 Listed	
	Environment	Wet location	
	Warranty	3 year warranty	

**NOTE:** This equipment has been tested and found to comply with the limits for a Class B digital device, pursuant to Part 15 of the FCC Rules. These limits are designed to provide reasonable protection against harmful interference in a residential installation. This equipment generates, uses and can radiate radio frequency energy and, if not installed and used in accordance with the instructions, may cause harmful interference to radio communications. However, there is no guarantee that interference will not occur in a particular installation.

If this equipment does cause harmful interference to radio or television reception, which can be determined by turning the equipment off and on, the user is encouraged to try to correct the interference by one or more of the following measures:

- Reorient or relocate the receiving antenna.
- Increase the separation between the equipment and receiver.
- Connect the equipment into an outlet on a circuit different from that to which the receiver is connected.
- Consult the dealer or an experienced radio/TV technician for help.

**COMPATIBLE DIMMERS:**

MANUFACTURE	DIMMERS PART #	# OF LAMPS WITH DIMMER					
		1	2	3	4	5	6
COOPER	DLC03P	GOOD	GOOD	GOOD	F	GOOD	GOOD
	9530WS	F	F	F	F	F	F
LEGRAND	CD703-PW	GOOD	GOOD	GOOD	GOOD	GOOD	GOOD
	H703PTCCCV6	F	GOOD	GOOD	GOOD	GOOD	GOOD
	D703-PTC	GOOD	F	GOOD	F	GOOD	F
	DCL453-PTC	F	GOOD	GOOD	GOOD	GOOD	GOOD
	DLV703-PLA	GOOD	GOOD	GOOD	GOOD	F	GOOD
	DCL453-PTC	F	GOOD	GOOD	GOOD	GOOD	GOOD
LEVITON	LGCL-153PLH	GOOD	GOOD	GOOD	GOOD	GOOD	GOOD
	6613-P	F	F	F	F	F	F
	6674	GOOD	GOOD	GOOD	GOOD	GOOD	GOOD
	6672	GOOD	GOOD	GOOD	GOOD	F	F
	6683	GOOD	GOOD	GOOD	GOOD	GOOD	F
	6684	GOOD	GOOD	GOOD	GOOD	GOOD	GOOD
	6633-PLW	GOOD	GOOD	GOOD	GOOD	GOOD	F
	SCL153P	F	F	GOOD	GOOD	GOOD	F
LUTRON	SELV-300P	F	GOOD	GOOD	F	F	F
	DVELV-300P	F	GOOD	F	F	F	F
	NELV-450	F	GOOD	F	F	F	F
	GTJ-150	GOOD	F	F	F	F	F
	DVCL-153P	F	F	GOOD	F	GOOD	F
	TGCL153PH	F	F	GOOD	GOOD	GOOD	GOOD
	TG-600PH	GOOD	F	GOOD	F	F	F
	AYCL-153P	F	F	F	F	F	F
	MACL-153M	GOOD	GOOD	GOOD	GOOD	GOOD	GOOD
	GL-600H-DK	GOOD	GOOD	GOOD	GOOD	GOOD	GOOD
	DV-600P	F	F	F	F	F	F
	TT-300	F	F	F	F	F	F
	TTCL-100H	GOOD	GOOD	GOOD	GOOD	GOOD	F
	DV-603PGH	GOOD	F	F	F	F	F
	LGCL-153PLH	GOOD	GOOD	F	F	F	F
	D-603PH	GOOD	GOOD	GOOD	GOOD	F	GOOD
CN-600P	GOOD	GOOD	GOOD	GOOD	GOOD	GOOD	
AY-600P	F	F	GOOD	F	F	F	

F = Flicker