

MaxLite® Emergency Security Light



General Safety Information

- To reduce the risk of death, personal injury or property damage from fire, electric shock, falling parts, cuts/abrasions, and other hazards read all warnings and instructions included with and on the fixture box and all fixture labels.
- Before installing, servicing, or performing routine maintenance upon this equipment, follow these general precautions.
- Commercial installation, service and maintenance of luminaires should be performed by a qualified licensed electrician.
- For Residential installation: If you are unsure about the installation or maintenance of the luminaires, consult a qualified licensed electrician and check your local electrical code.
- **DO NOT INSTALL DAMAGED PRODUCT!**
- This fixture is intended to be connected to a properly installed and grounded UL listed junction box.



Picture is for illustration purposes only. Your model may vary.

WARNING:

RISK OF ELECTRICAL SHOCK

- Turn off electrical power at fuse or circuit breaker box before wiring fixture to the power supply.
- Turn off the power when you perform any maintenance.
- Verify that supply voltage is correct by comparing it with the luminaire label information.
- Make all electrical and grounded connections in accordance with the National Electrical Code and any applicable local code requirements.
- All wiring connections should be capped with UL approved wire connectors.

CAUTION:

RISK OF INJURY

- Wear gloves and safety glasses at all times when removing luminaire from carton, installing, servicing or performing maintenance.
- Avoid direct eye exposure to the light source while it is on.
- Account for small parts and destroy packing material, as these may be hazardous to children.
- Do not use outdoors.
- Do not mount near gas or electric heaters.
- Use caution when handling batteries. Avoid possible shorting.
- Equipment should be mounted in locations at heights (MAX: 8ft) where it will not be subject to tampering by unauthorized personnel.
- The use of accessories not recommended by the manufacturer may cause unsafe conditions.
- Do not use this equipment for anything other than its intended use.
- Consult local building code for approved wiring and installation.
- Servicing this equipment should be performed by qualified personnel.

CAUTION:

RISK OF FIRE

- Keep combustible and other materials that can burn away from luminaire and lamp/lens
- **MIN 75°C SUPPLY CONDUCTORS.**

Models:

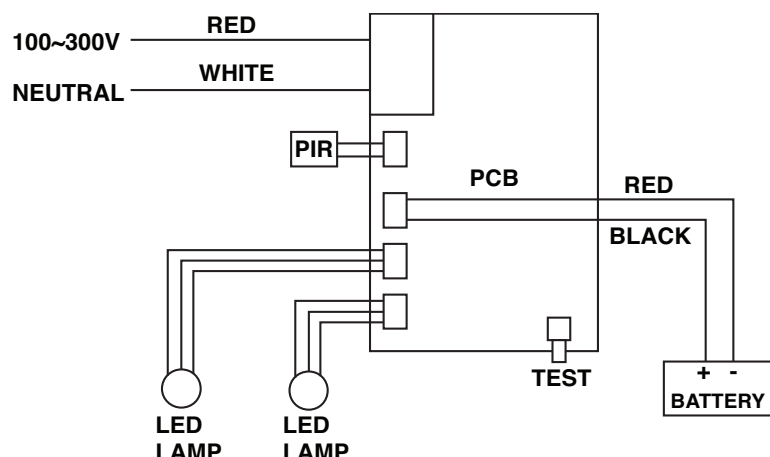
EML-MS Series



MaxLite® Emergency Security Light

General Wiring Diagram

Important: The battery in this unit may not be fully charged. After electricity is connected to unit, let battery charge up for at least 24 hours. Then the normal operation of this unit should take effect. To check, press the "TEST" button and the lights on the unit should turn ON.



Installation Instructions

Note: The maximum mounting height is 10ft. These units have to be in a J-box that is at least 2.5" deep.

1. Disassemble the back cover by loosening the screw on the back of the fixture (See Fig. 1).
2. Connect the battery male and female connectors (see Fig. 2).
3. Remove the paper from the adhesive side of the foam gasket. Place it on the wall side of the back cover (see Fig. 3).
4. Secure the back cover to the J-box with screws (see Fig. 4).
5. Connect the AC input wires from the fixture to the AC supply wire according to the wiring diagram.
6. Reattach the fixture to the back cover by tightening the screw on the back of the fixture.
7. Turn on the AC power and press the "TEST" button to check the light.



Fig. 1

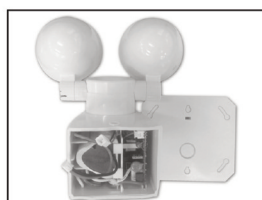


Fig. 2

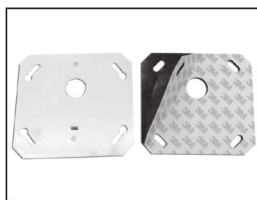


Fig. 3

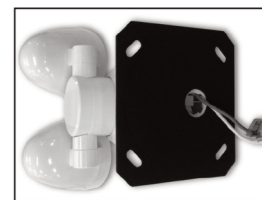


Fig. 4

Operation

1. During an electrical power failure, the lights on the unit will automatically come ON for a minimum of 90 minutes if the battery is fully charged.
2. To test the unit, let it charge with AC power supply for a minimum of 24 hours after its first installation and then depress the "TEST" switch, the emergency lights will illuminate. When the switch is released, the lights will turn off.
3. Additional operation:
 - a. The light will not turn on if the ambient illumination is sufficiently bright.
 - b. The light will turn on automatically whenever motion is detected within 16 feet, in dark and it will go off after 15 minutes if motion is no longer detected.
 - c. If the lens become dirty, clean it by wiping with rubbing alcohol. Do not scratch the lens.

MaxLite® Emergency Security Light



Warranty Information

MaxLite Inc. warrants its products for a minimum period of **FIVE (5)** years from the date of original purchase from MaxLite or its authorized distributor/dealer (the "Warranty Period"), as follows: If a Product fails to operate during the Warranty Period as a result of defects in materials or workmanship, MaxLite will, at its option, repair it, replace it with the same or like Product.

Please refer to Maxlite's website (at <http://maxlite.com/resources/warranties>) for the complete terms and conditions of our warranty.

Limitation of Liability

THE FOREGOING WARRANTY IS EXCLUSIVE, AND IS THE SOLE REMEDY FOR ANY AND ALL CLAIMS, WHETHER IN CONTRACT, IN TORT OR OTHERWISE ARISING FROM THE FAILURE OF PRODUCT AND IS IN LIEU OF ALL OTHER WARRANTIES, EXPRESS OR IMPLIED, INCLUDING ALL WARRANTIES OF MERCHANTABILITY OR FITNESS FOR A PARTICULAR PURPOSE, WHICH WARRANTIES ARE HEREBY EXPRESSLY DISCLAIMED TO THE EXTENT PERMITTED BY LAW AND, IN ANY EVENT, SHALL BE LIMITED TO THE WARRANTY PERIOD SPECIFIED ABOVE. THE LIABILITY OF MAXLITE SHALL BE LIMITED TO THE TERMS OF THE EXPRESS WARRANTY SET FORTH HEREIN. IN NO EVENT WILL MAXLITE BE LIABLE FOR ANY SPECIAL, INCIDENTAL OR CONSEQUENTIAL DAMAGES INCLUDING, WITHOUT LIMITATION, DAMAGES RESULTING FROM LOSS OF USE, PROFITS, BUSINESS OR GOODWILL, LABOR COSTS, REMOVAL OR INSTALLATION COSTS, DECREASE IN THE LIGHT OUTPUT OF THE LAMP, AND/OR DETERIORATION IN THE LAMP'S PERFORMANCE, WHETHER OR NOT MAXLITE HAS BEEN ADVISED OF THE POSSIBILITY THEREOF. UNDER NO CIRCUMSTANCES SHALL MAXLITE'S ENTIRE LIABILITY FOR A DEFECTIVE PRODUCT EXCEED THE PURCHASE PRICE OF THAT PRODUCT. WARRANTY SERVICES PROVIDED UNDER THESE TERMS AND CONDITIONS DO NOT ENSURE THE UNINTERRUPTED OPERATION OF PRODUCTS; MAXLITE SHALL NOT BE LIABLE FOR DAMAGES CAUSED BY ANY DELAYS INVOLVING WARRANTY SERVICE.

This Limited Warranty gives you specific legal rights and you may also have other rights that may vary from state to state. Because some states or jurisdictions do not allow the exclusion or limitation of liability for consequential or incidental damages, this limitation may not apply to you.