

PROJECT NAME: _____ CAT. #: _____
 NOTES: _____ FIXTURE SCHEDULE: _____

Exit Lights

Features:

- High impact UV stabilized flame rated thermoplastic housing UL94 V-0
- 120V or 277V AC input, EXT Series covers 100-300V
- Nickel Cadmium (NiCad) battery meets UL 90 minute emergency lighting requirement
- Test switch and AC-On indicator included
- Wall or ceiling mount capabilities, canopy included
- Single or double face with removable chevrons
- Combo heads adjustable
- Self Diagnostic option available
- Operating temperatures 20°C-30°C
 - EXT-RW, EX-RGW, EXC-RGW & EXC-RGWRC (10°-40°C)
 - EXC-RSQWRC (20°-30°C)
- White finish standard, Black available as special order
- AC versions available as special order

Certifications:

- UL924 Listed for Damp Locations (DL),
 WL suffix = listed for Wet Locations

Warranty:

5-year standard warranty* (further details available at www.maxlite.com/warranties)
 *Product may be eligible for a warranty extension to 10 years, for an additional fee.
 Contact MaxLite for details.



EX-RW



EXC-GW

Ordering Information:

| IMAGE | ORDER CODE | MODEL NUMBER | DESCRIPTION | PERFORMANCE |
|-------|------------|--------------|--|---|
| | 14101486 | EX-RW | EXIT, THERMOPLASTIC, RED LETTERS, BATTERY BACKUP | 1.78/1.88W (120/277V) draw |
| | 103369 | EX-RWRC | EXIT, THERMOPLASTIC, RED LETTERS, REMOTE HEAD CAPABLE*, BATTERY BACKUP | 3.6/4.14W (120/277V) draw, up to 2 additional remote heads |
| | 112660 | EX-RGW | EXIT, THERMOPLASTIC, DOUBLE FACE, RED & GREEN LETTERS, WHITE, BATTERY BACKUP | 3.4/3.5W (120/277V) draw |
| | 105541 | EXT-RW | THIN EXIT, THERMOPLASTIC, RED LETTERS, BATTERY BACKUP | 1.43/1.51W (120/277V) draw |
| | 110736 | EXT-RWAC | THIN EXIT, THERMOPLASTIC, RED LETTERS, WHITE, AC ONLY | 1.1/1.2W (120/277V) draw |
| | 14101487 | EX-GW | EXIT, THERMOPLASTIC, GREEN LETTERS, BATTERY BACKUP | 2.46W (120/277V) draw |
| | 103368 | EX-GWRC | EXIT, THERMOPLASTIC, GREEN LETTERS, REMOTE HEAD CAPABLE*, BATTERY BACKUP | 3.28/3.81W (120/277V) draw, up to 2 additional remote heads |
| | 112661 | EXC-RGW | EXIT EMERGENCY COMBO, THERMOPLASTIC, DOUBLE FACE, RED & GREEN LETTERS, WHITE, BATTERY BACKUP | 57 lumens per head, 3.9/4.2W (120/277V) draw |
| | 105542 | EXT-GW | THIN EXIT, THERMOPLASTIC, GREEN LETTERS, BATTERY BACKUP | 1.43/1.51W (120/277V) draw |

*Please see Remote Head Compatibility Chart

Exit Lights

Ordering Information:

| IMAGE | ORDER CODE | MODEL NUMBER | DESCRIPTION | PERFORMANCE |
|-------|------------|--------------|--|---|
| | 14101488 | EXC-RW | EXIT & EMERGENCY COMBO, THERMOPLASTIC, RED LETTERS, BATTERY BACKUP | 63 lumens per head, 5/4.8W draw (120/277V) |
| | 103370 | EXC-RWRC | EXIT & EMERGENCY COMBO, THERMOPLASTIC, RED LETTERS, REMOTE HEAD CAPABLE*, BATTERY BACKUP | 63 lumens per head, 5/4.8W draw (120/277V), up to 2 additional remote heads |
| | 105543 | EXTC-RW | THIN EXIT & EMERGENCY COMBO, THERMOPLASTIC, RED LETTERS, BATTERY BACKUP | 62 lumens per head, 1.66/1.85W (120/277V) draw |
| | 108282 | EXC-RSQWRC | EXIT EMERGENCY COMBO, THERMOPLASTIC, RED LETTERS, SQUARE HEADS, WHITE, REMOTE HEAD CAPABLE, BATTERY BACKUP | 41 lumens per head, 3.6W draw (120/277V) |
| | 14101489 | EXC-GW | EXIT & EMERGENCY COMBO, THERMOPLASTIC, GREEN LETTERS, BATTERY BACKUP | 63 lumens per head, 3.9W draw (120/277V) |
| | 103371 | EXC-GWRC | EXIT & EMERGENCY COMBO, THERMOPLASTIC, GREEN LETTERS, REMOTE HEAD CAPABLE*, BATTERY BACKUP | 63 lumens per head, 3.9W draw (120/277V), up to 2 additional remote heads |
| | 105544 | EXTC-GW | THIN EXIT & EMERGENCY COMBO, THERMOPLASTIC, GREEN LETTERS, BATTERY BACKUP | 62 lumens per head, 1.66/1.85W (120/277V) draw |
| | 112888 | EXC-RGWRC | EXIT EMERGENCY COMBO, THERMOPLASTIC, DOUBLE FACE, RED & GREEN LETTERS, WHITE, BATTERY BACKUP, REMOTE CAPABLE | 57 lumens per head, 4.4/4.8W (120/277V) draw |

*Please see Remote Head Compatibility Chart

Special Order Quick Ship Items:











| IMAGE | ORDER CODE | MODEL NUMBER | DESCRIPTION | PERFORMANCE |
|-------|------------|--------------|---|--|
| | 105935 | EX-RWSD | EXIT, THERMOPLASTIC, RED LETTERS, SELF DIAGNOSTIC, BATTERY BACKUP | 264 lumens per head, 1.78/1.88W (120/277V) draw |
| | 106238 | EX-RW2WL | EXIT, THERMOPLASTIC, RED LETTERS DOUBLE SIDED, WET-LOCATION, BATTERY BACKUP | 1.78/1.88W (120/277V) draw, WL housing 12 5/8" x 8 1/8" x 2 1/2" |
| | 109740 | EX-RW-WL | EXIT, THERMOPLASTIC, RED LETTERS DOUBLE SIDED, WET-LOCATION, BATTERY BACKUP | 1.78/1.88W (120/277V) draw, WL housing 12 5/8" x 8 1/8" x 2 1/2" |

Accessories:

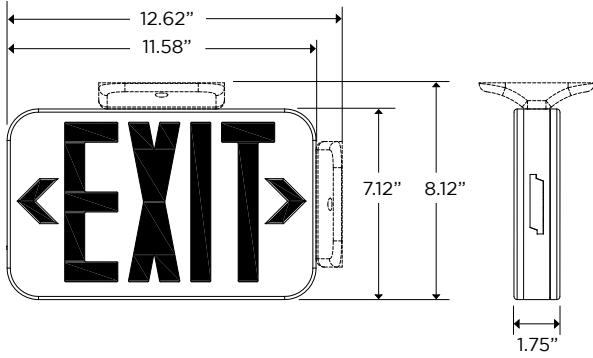
| IMAGE | ORDER CODE | MODEL NUMBER | DESCRIPTION | PERFORMANCE |
|-------|------------|--------------|---------------------------|---|
| | 105538 | EM-WG | EMERGENCY/EXIT WIRE GUARD | 16"x14"x17", hardware for internal mounting included, (2) required for combos (EXC) |

Exit Lights

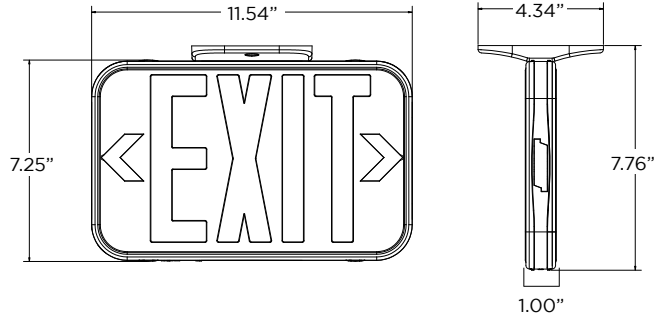
Remote Head Compatibility:

| REMOTE HEADS | EXIT LIGHTS # OF REMOTE HEADS SUPPORTED | | | | | |
|---|--|---|---|---|---|---|
| |  EX-GWRC |  EXC-GWRC |  EX-RGWRC |  EX-RWRC |  EXC-RWRC |  EXC-RSQWRC |
|  ERI-SW | 2 | 2 | 2 | 2 | 2 | 2 |
|  ERI-2HW | 1 | 1 | 1 | 1 | 1 | 1 |
|  ERO-SW | 2 | 2 | 2 | 2 | 2 | 2 |
|  ERO-2HW | 1 | 1 | 1 | 1 | 1 | 1 |

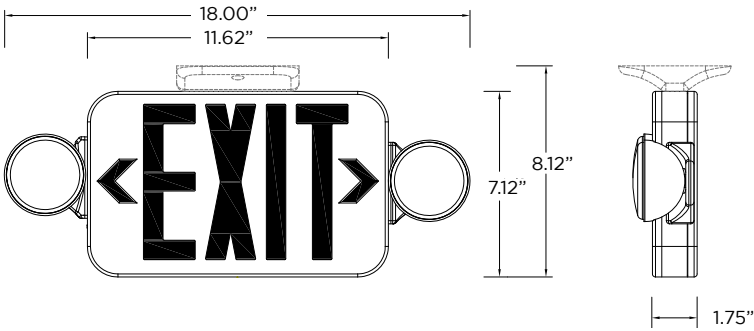
Exit Lights



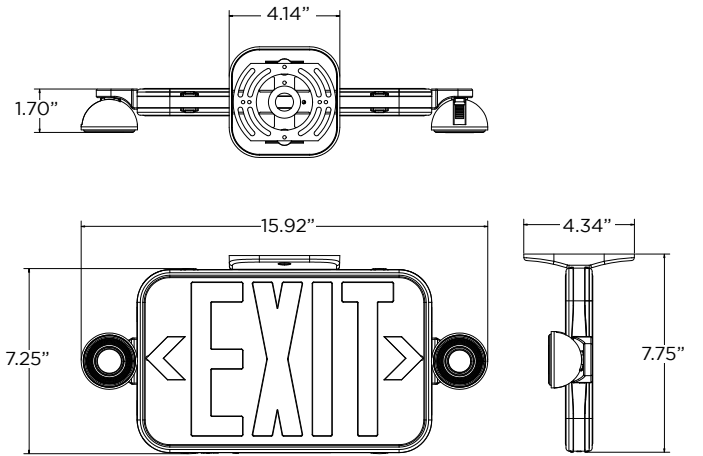
EX-RW & EX-GW



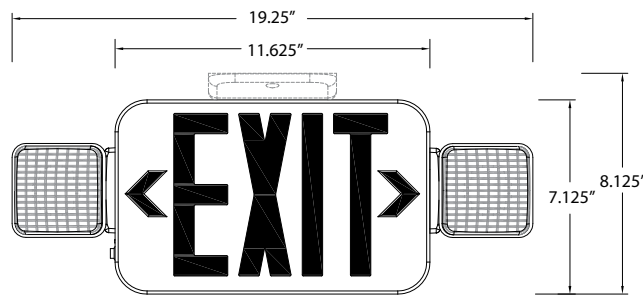
EXT-RW



EX-Series
EX-RGWCR



EXT-Series



EXC-RSQWRC