

PROJECT NAME: _____ CAT. #: _____
 NOTES: _____ FIXTURE SCHEDULE: _____

Edgelit Exit Signs

Features:

- Dual-voltage input 120V/277V
- Energy-saving LED
- Smooth and rugged aluminum housing
- High-polish, injection-molded virgin acrylic panel, ultrasonically welded to eliminate visible hardware
- Maintenance-free nickel-cadmium battery
- Graduated depth of molded letters provides uniform light distribution on graphics
- Snap-fit faceplate design for easy installation without tools
- Mirror divider on double-face versions
- Field-applied chevron directional indicator
- Temperature rating: 20°C - 30°C ambient
- AC versions available as special order

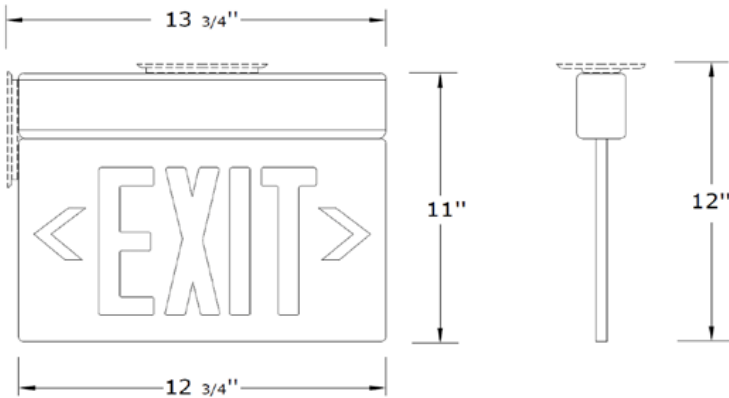
Certifications:

- UL924 Listed for Damp Locations (DL)
- CSA Listed

Warranty:

- 5 years. [Check maxlite.com/warranties](http://www.maxlite.com/warranties) for details.

Dimensions:



EXE-RS1S



EXE-GS2S

Ordering Information:

| IMAGE | ORDER CODE | MODEL NUMBER | DESCRIPTION |
|-------|------------|--------------|---|
| | 105539 | EXE-RS1S | EDGELIT EXIT, RED LETTERS, SILVER, 1 SIDE, BATTERY BACKUP |
| | 105540 | EXE-RS2S | EDGELIT EXIT, RED LETTERS, SILVER, 2 SIDE, BATTERY BACKUP |
| | 105545 | EXE-GS1S | EDGELIT EXIT, GREEN LETTERS, SILVER, 1 SIDE, BATTERY BACKUP |
| | 105546 | EXE-GS2S | EDGELIT EXIT, GREEN LETTERS, SILVER, 2 SIDE, BATTERY BACKUP |