

PROJECT NAME: _____ CAT. #: _____
 NOTES: _____ FIXTURE SCHEDULE: _____

Exit Lights

Features:

- High impact UV stabilized flame rated thermoplastic housing UL94 V-0
- 120V or 277V AC input, EXT Series covers 100-300V
- Nickel Cadmium (NiCad) battery meets UL 90 minute emergency lighting requirement
- Test switch and AC-On indicator included
- Wall or ceiling mount capabilities, canopy included
- Single or double face with removable chevrons
- Combo heads adjustable
- Self Diagnostic option available
- Operating temperatures 20°C-30°C
 - EXT-RW, EX-RGW, EXC-RGW & EXC-RGWRC (10°-40°C)
 - EXC-RSQWRC (20°-30°C)
- White finish standard, Black available as special order
- AC versions available as special order
- 5 years. [Check maxlite.com/warranties](https://www.maxlite.com/warranties) for details.

Certifications:

- UL924 Listed for Damp Locations (DL),
 WL suffix = listed for Wet Locations



EX-RW



EXC-GW

Ordering Information:

IMAGE	ORDER CODE	MODEL NUMBER	DESCRIPTION	PERFORMANCE
	14101486	EX-RW	EXIT, THERMOPLASTIC, RED LETTERS, BATTERY BACKUP	1.78/1.88W (120/277V) draw
	103369	EX-RWRC	EXIT, THERMOPLASTIC, RED LETTERS, REMOTE HEAD CAPABLE*, BATTERY BACKUP	3.6/4.14W (120/277V) draw, up to 2 additional remote heads
	112660	EX-RGW	EXIT, THERMOPLASTIC, DOUBLE FACE, RED & GREEN LETTERS, WHITE, BATTERY BACKUP	3.4/3.5W (120/277V) draw
	105541	EXT-RW	THIN EXIT, THERMOPLASTIC, RED LETTERS, BATTERY BACKUP	1.43/1.51W (120/277V) draw
	110736	EXT-RWAC	THIN EXIT, THERMOPLASTIC, RED LETTERS, WHITE, AC ONLY	1.1/1.2W (120/277V) draw
	14101487	EX-GW	EXIT, THERMOPLASTIC, GREEN LETTERS, BATTERY BACKUP	2.46W (120/277V) draw
	103368	EX-GWRC	EXIT, THERMOPLASTIC, GREEN LETTERS, REMOTE HEAD CAPABLE*, BATTERY BACKUP	3.28/3.81W (120/277V) draw, up to 2 additional remote heads
	112661	EXC-RGW	EXIT EMERGENCY COMBO, THERMOPLASTIC, DOUBLE FACE, RED & GREEN LETTERS, WHITE, BATTERY BACKUP	57 lumens per head, 3.9/4.2W (120/277V) draw
	105542	EXT-GW	THIN EXIT, THERMOPLASTIC, GREEN LETTERS, BATTERY BACKUP	1.43/1.51W (120/277V) draw

*Please see Remote Head Compatibility Chart

Exit Lights

Ordering Information:

IMAGE	ORDER CODE	MODEL NUMBER	DESCRIPTION	PERFORMANCE
	14101488	EXC-RW	EXIT & EMERGENCY COMBO, THERMOPLASTIC, RED LETTERS, BATTERY BACKUP	63 lumens per head, 5/4.8W draw (120/277V)
	110631	EXC-RWSD	EXIT & EMERGENCY COMBO, RED LETTERS, WHITE, ROUND HEADS, BATTERY BACKUP, SELF-DIAGNOSTIC	63 lumens per head, 5/4.8W draw (120/277V)
	103370	EXC-RWRC	EXIT & EMERGENCY COMBO, THERMOPLASTIC, RED LETTERS, REMOTE HEAD CAPABLE*, BATTERY BACKUP	63 lumens per head, 5/4.8W draw (120/277V), up to 2 additional remote heads
	105543	EXTC-RW	THIN EXIT & EMERGENCY COMBO, THERMOPLASTIC, RED LETTERS, BATTERY BACKUP	62 lumens per head, 1.66/1.85W (120/277V) draw
	108282	EXC-RSQWRC	EXIT EMERGENCY COMBO, THERMOPLASTIC, RED LETTERS, SQUARE HEADS, WHITE, REMOTE HEAD CAPABLE, BATTERY BACKUP	41 lumens per head, 3.6W draw (120/277V)
	14101489	EXC-GW	EXIT & EMERGENCY COMBO, THERMOPLASTIC, GREEN LETTERS, BATTERY BACKUP	63 lumens per head, 3.9W draw (120/277V)
	112115	EXC-GWSD	EXIT & EMERGENCY COMBO, GREEN LETTERS, WHITE, ROUND HEADS, BATTERY BACKUP, SELF-DIAGNOSTIC	63 lumens per head, 5/4.8W draw (120/277V)
	103371	EXC-GWRC	EXIT & EMERGENCY COMBO, THERMOPLASTIC, GREEN LETTERS, REMOTE HEAD CAPABLE*, BATTERY BACKUP	63 lumens per head, 3.9W draw (120/277V), up to 2 additional remote heads
	105544	EXTC-GW	THIN EXIT & EMERGENCY COMBO, THERMOPLASTIC, GREEN LETTERS, BATTERY BACKUP	62 lumens per head, 1.66/1.85W (120/277V) draw
	112888	EXC-RGWRC	EXIT EMERGENCY COMBO, THERMOPLASTIC, DOUBLE FACE, RED & GREEN LETTERS, WHITE, BATTERY BACKUP, REMOTE CAPABLE	57 lumens per head, 4.4/4.8W (120/277V) draw

*Please see Remote Head Compatibility Chart

Special Order Quick Ship Items:











IMAGE	ORDER CODE	MODEL NUMBER	DESCRIPTION	PERFORMANCE
	105935	EX-RWSD	EXIT, THERMOPLASTIC, RED LETTERS, SELF DIAGNOSTIC, BATTERY BACKUP	1.78/1.88W (120/277V) draw
	114239	EX-RWRCSD	EXIT, THERMOPLASTIC, RED LETTERS, WHITE, REMOTE HEAD CAPABLE, BATTERY BACKUP, SELF DIAGNOSTIC	1.78/1.88W (120/277V) draw
	106238	EX-RW2WL	EXIT, THERMOPLASTIC, RED LETTERS DOUBLE SIDED, WET-LOCATION, BATTERY BACKUP	1.78/1.88W (120/277V) draw, WL housing 12 5/8" x 8 1/8" x 2 1/2"
	109740	EX-RW-WL	EXIT, THERMOPLASTIC, RED LETTERS DOUBLE SIDED, WET-LOCATION, BATTERY BACKUP	1.78/1.88W (120/277V) draw, WL housing 12 5/8" x 8 1/8" x 2 1/2"

Accessories:

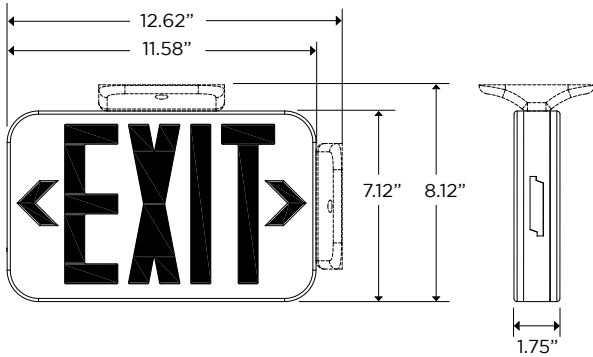
IMAGE	ORDER CODE	MODEL NUMBER	DESCRIPTION	PERFORMANCE
	105538	EM-WG	EMERGENCY/EXIT WIRE GUARD	16"x14"x17", hardware for internal mounting included, (2) required for combos (EXC)

Exit Lights

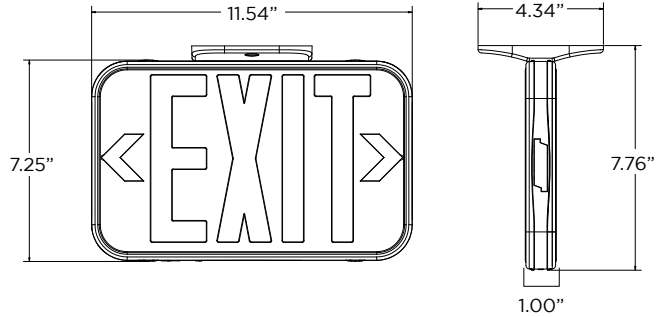
Remote Head Compatibility:

REMOTE HEADS	EXIT LIGHTS # OF REMOTE HEADS SUPPORTED					
	 EX-GWRC	 EXC-GWRC	 EX-RGWRC	 EX-RWRC EX-RWRCSD	 EXC-RWRC	 EXC-RSQWRC
 ERI-SW	2	2	2	2	2	2
 ERI-2HW	1	1	1	1	1	1
 ERO-SW	2	2	2	2	2	2
 ERO-2HW	1	1	1	1	1	1

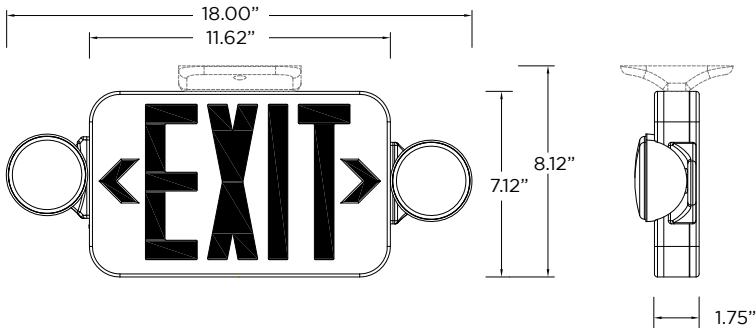
Exit Lights



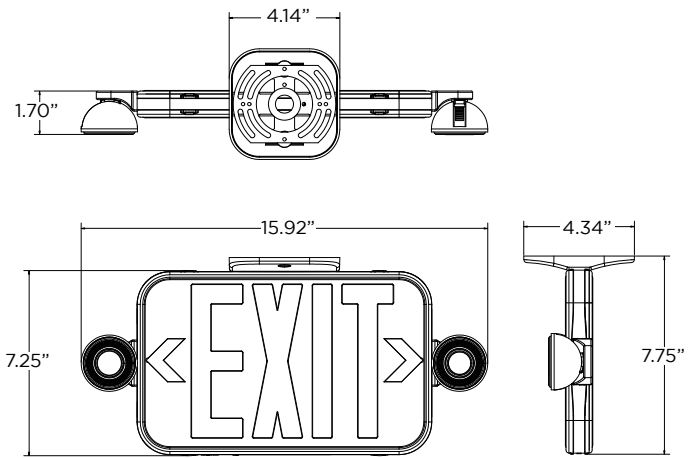
EX-RW | EX-GW | EX-RWRCSD



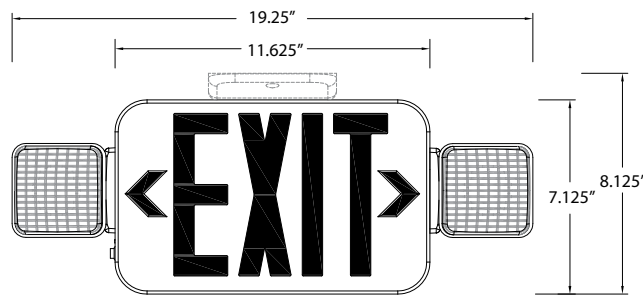
EXT-RW



EXC-RGWRC
EXC-RWSD/EXC-GWSD



EXT-Series



EXC-RSQWRC