

LED SMALL FLOOD FLS SERIES, GENERATION 2



15W (Wide)



15W (Narrow)



20W (Wide)



20W (Narrow)



40W (Wide)



40W (Narrow)



50W (Wide)



50W (Narrow)



PRODUCT DESCRIPTION:

The LED Small Floods are efficient, energy-saving replacements for metal halide and quartz halogen fixtures. Each luminaire features an integral listed driver, potted within a separate compartment to ensure cool operation and longer lifetime. The 15-, 20-, 40-, and 50-watt luminaires can mount at a broad range of angles with a yoke style arm and a 1/2" NPT threaded nipple.

FEATURES:

- Replaces 100 watt quartz halogen through 250 watt metal halide lamps
- Greater than 250,000 hours L70 lifetime, TM-21 calculated method @ 40°C
- Sealed fixture is dirt and bug free

CONTROLS:

120-277VAC Photocontrol: Voltage-specific photocontrols power the fixture when light levels reach 20 lux or below, and turn it off at 30 lux or higher. Option is available only with 40W and 50W models. Cap included if PC functionality is not required.

MOUNTING:

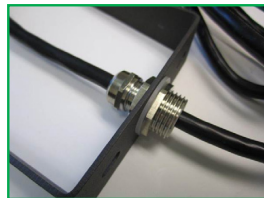
All models come standard with a yoke and a 1/2" NPT strain relief fitting for easy installation

WARRANTY:

10-year standard warranty with labor allowance* (further details available at www.maxlite.com/warranties)

*Warranty Limitations: Product must be rated for the application per the Product Data Sheet (PDS); operated ≤16 hrs/day; in ambient of -29oF to 104oF.

*Up to \$25/unit; labor allowances of up to \$500/unit available for purchase – contact MaxLite representative for details.



1/2" threaded nipple allows for easy installation to weather proof boxes or landscape mounting posts.

See page 3 for dimensions

MODEL SELECTION (Full list of order codes on pg. 2)		Typical order example: FLS20U50B					
FLS		U		B			/G2
FAMILY	NOMINAL POWER, EQUIVALENCY	VOLTAGE	CCT	FINISH	DISTRIBUTION	CONTROLS	GENERATION
FLS= Small Flood	15= 15W, 150W Quartz/35W Metal Halide equivalent	U= 120-277V	40= 4000K	B= Bronze, std	(OMIT)= Wide N= Narrow	(OMIT)= None *P1= 120-277V Photocell	/G2= Gen 2
	20= 20W, 250W Quartz/50W Metal Halide equivalent		50= 5000K				
	40= 40W, 300W+ Quartz/150W Metal Halide equivalent		Contact MaxLite for additional finishes				
	50= 50W, 500W Quartz/175W Metal Halide equivalent						

*120-277V button photocell standard and available only on 40W and 50W models. Removable cap included

ACCESSORIES:

ACCESSORIES			
ORDER CODE	MODEL NUMBER	DESCRIPTION	ACCESSORIES IMAGE
101679	TR2.37BZ	Tennon Reducer, 2-3/8" to 1/2", Bronze	
101216	FLS-15SHIELD/G2	VANDAL SHIELD FOR 15W SMALL FLOOD	
101217	FLS-20SHIELD/G2	VANDAL SHIELD FOR 20W SMALL FLOOD	
101221	FLS-40SHIELD/G2	VANDAL SHIELD FOR 40W SMALL FLOOD	
101222	FLS-50SHIELD/G2	VANDAL SHIELD FOR 50W SMALL FLOOD	
101212	FLS-15VISOR/G2	VISOR FOR 15W SMALL FLOOD	
101213	FLS-20VISOR/G2	VISOR FOR 20W SMALL FLOOD	
101214	FLS-40VISOR/G2	VISOR FOR 40W SMALL FLOOD	
101215	FLS-50VISOR/G2	VISOR FOR 50W SMALL FLOOD	
104352	GROUNDSTAKE	21" BLACK PVC GROUND STAKE WITH BRONZE DIE CAST CAP, GROUND STABILIZERS BARS AND HARDWARE TO MOUNT JUNCTION BOX, WHICH ALLOWS ADDING AN EXTERNAL PHOTOCELL	
104350	JBOXB-4TH	JUNCTION BOX WITH 4 1/2" CONDUIT HOLES TOP COVER. PROVIDES MOUNTING FOR FLAT SURFACES AND ADDING EXTERNAL PC (PC-120277EXT)	
101417	PC-120277EXT	EXTERNAL PHOTOCONTROL 120-277V, BLACK FINISH	
105551	MTGCOVER	DIE CAST ALUMINUM MOUNTING COVER WITH 3X 1/2" THREADED CONDUIT HOLES, BRONZE WITH DARK FINISH HARDWARE	

SPECIFICATIONS:

ITEM	SPECIFICATION	DETAILS							
		15W WIDE	20W WIDE	40W WIDE	50W WIDE	15W NARROW	20W NARROW	40W NARROW	50W NARROW
	Input Power (W)	15	20	40	50	15	20	40	50
	Lumens Delivered, 4000K (lm)	1475	2180	4460	5750	1555	2315	4715	5880
	Efficacy (lm/W)	Up to 124 lm/ W							
	Lumen Maintenance (L70 hours)	>250,000 hours @ 40°C*							
	Color Rendering Index (CRI)	≥70							
	CCT	4000K, 5000K							
	Color Consistency	Proprietary binning for uniform color							
	THD	<15%							
ELECTRICAL	Power Factor	0.90							
	Input Voltage (V)	100-277V, 50/60Hz							
PHYSICAL	Housing	Die-cast aluminum							
	Lens	Tempered Glass							
	Mounting	Yoke with ½" threaded fitting							
	Operating Temperature	-22F to 104F (-30C to 40C)							
QUALIFICATION	Qualification	cULus, DLC Premium							
	Environment	Outdoor, wet locations, IP65 rating, FCC							
	Warranty	10-year standard warranty*							

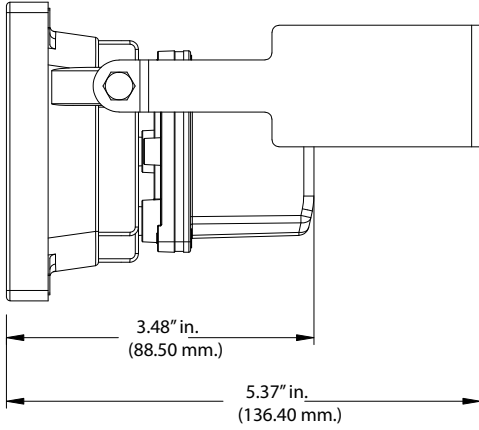
*Narrow beam options are special order. Please consult a MaxLite representative for lead times and quantities.

*Lumen Maintenance Based on Calculated Method

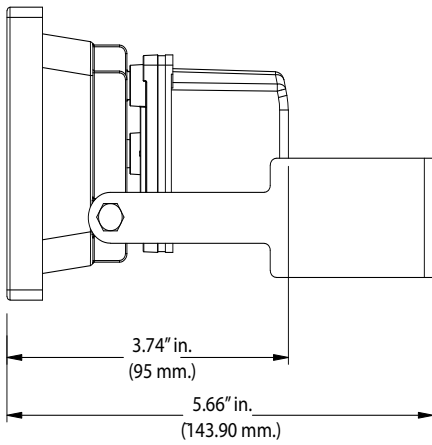
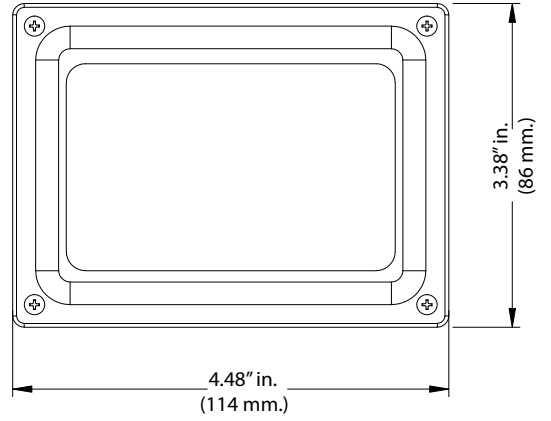
ORDERING:

ORDER CODE	MODEL	DISTRIBUTION	NOMINAL POWER (WATTS)	FINISH	CCT
100566	FLS15U40B/G2	WIDE	15W	BRONZE	4000K
101182	FLS15U40BN/G2	NARROW	15W	BRONZE	
100567	FLS20U40B/G2	WIDE	20W	BRONZE	
101186	FLS20U40BN/G2	NARROW	20W	BRONZE	
100568	FLS40U40B/G2	WIDE	40W	BRONZE	
100776	FLS40U40BP1/G2	WIDE	40W	BRONZE	
101191	FLS40U40BNP1/G2	NARROW	40W	BRONZE	
100569	FLS50U40B/G2	WIDE	50W	BRONZE	
100777	FLS50U40BP1/G2	WIDE	50W	BRONZE	
101198	FLS50U40BNP1/G2	NARROW	50W	BRONZE	
14098953	FLS15U50B/G2	WIDE	15W	BRONZE	5000K
101205	FLS15U50BN/G2	NARROW	15W	BRONZE	
14098954	FLS20U50B/G2	WIDE	20W	BRONZE	
101206	FLS20U50BN/G2	NARROW	20W	BRONZE	
14098955	FLS40U50B/G2	WIDE	40W	BRONZE	
14098959	FLS40U50BP1/G2	WIDE	40W	BRONZE	
101207	FLS40U50BNP1/G2	NARROW	40W	BRONZE	
14098960	FLS50U50BP1/G2	WIDE	50W	BRONZE	
101208	FLS50U50BNP1/G2	NARROW	50W	BRONZE	

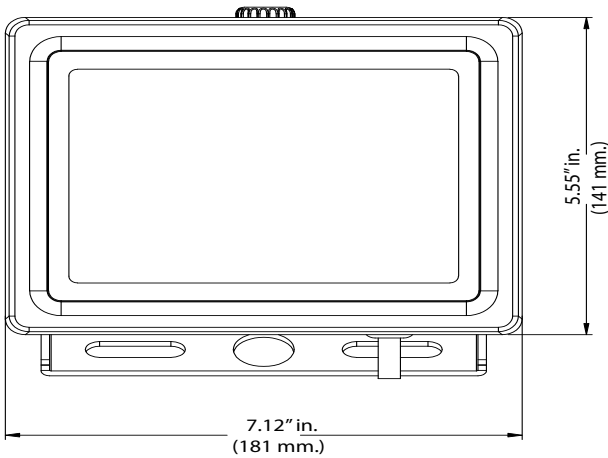
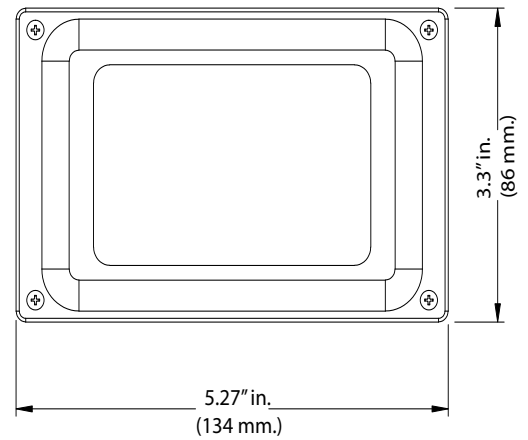
DIMENSIONS:



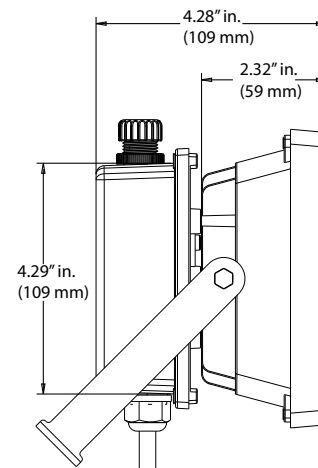
15W

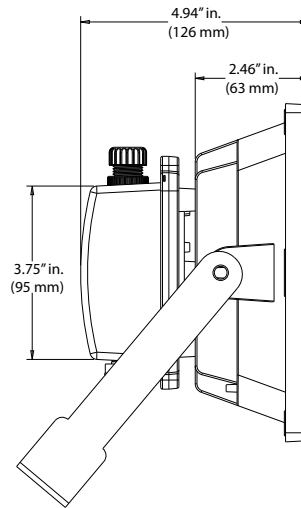
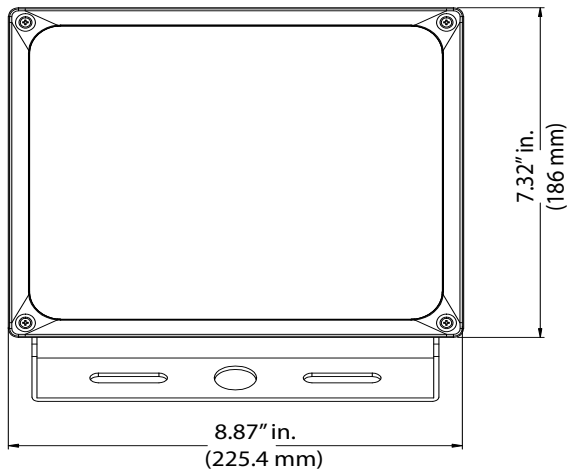


20W



40W





50W