

PROJECT NAME: \_\_\_\_\_ CAT. #: \_\_\_\_\_  
 NOTES: \_\_\_\_\_ FIXTURE SCHEDULE: \_\_\_\_\_

# Flush Mount Ceiling Fixture - Architectural Design FMA Series



### Description:

The FMA Series Architectural Ceiling Fixture delivers modern design, high efficiency, and versatile performance for commercial, multi-unit residential, and hospitality applications.

Available in 12", 14", and 16" sizes with sleek nickel finishes, it features wattage and CCT selectability (2700K–5000K), ensuring tailored light output and ambiance. With a CRI ≥90, wide 120° beam angle, and dimming flexibility (120V Triac or 120–277V 0-10V), the FMA Series provides superior light quality and control.

Options include bi-level motion sensing, Bluetooth-enabled controls, and emergency battery backup for added safety and efficiency. ETL-listed for damp locations and Title 24 compliant, this fixture guarantees reliability, long life (≥50,000 hrs), and design consistency across applications

### Features:

- Wattage Selectable for all 3 sizes
- 2700K/ 3000K/3500K/4000K/5000K CCT Selectable
- Bi-level motion sensor and Emergency Battery models available
- CRI: ≥90
- Beam angle: ≥120

### Dimming:

- 120V option available with 120V Triac dimming (10%)
- 120-277V option available with 0-10V dimming (10%)

### Listings:

- ETL Certified for damp locations
- Supports T24 Part 6 high efficacy lighting requirements

## Ordering Information

FAMILY	SIZE	DIMMING	WATTAGE (NOMINAL)	CRI & COLOR SELECTABLE	FINISH	SENSOR OPTION	EMERGENCY OPTION
FMA= Flush Mount Architectural	12= 12"	T= 120V only TRIAC dimming	08W= 8/12/16W	CS= 90 CRI, 2700/3000/3500/4000/5000K (Default is 3000K)	N= Nickel	[BLANK]= None	[BLANK]= None
	14= 14"	V= 120-277V 0-10V Dimming	10W= 10/15/20W			MS*= Microwave Motion Sensor (CN-MGMST - Factory installed)	EM*= BBU (Factory installed)
	16= 16"		12W= 12/18/24W			N6*= Bluetooth Network Node (NN-MGT Factory installed)	
						NK*= Microwave Motion Sensor & Bluetooth (Factory installed)	

**\*ONLY AVAILABLE FOR 120-277V 0-10V DIMMING MODELS**

## Stocked Items

ORDER CODE	MODEL NUMBER	DIMMING TECHNOLOGY	ORDER CODE	MODEL NUMBER	DIMMING TECHNOLOGY
111845	FMA12T08WCSN	TRIAC	111848	FMA12V08WCSN	0-10V
111846	FMA14T10WCSN	TRIAC	111849	FMA14V10WCSN	0-10V
111847	FMA16T12WCSN	TRIAC	111850	FMA16V12WCSN	0-10V



# Flush Mount Ceiling Fixture - Architectural Design FMA Series

## Dimming Compatibility - TRIAC models

DIMMER BRAND	DIMMER MODEL
LEVITON	603-6631-A
	6631-A
LUTRON	AYCL-153PH
	DVCL-253PH
	DVCL-153P-WH
	DVW-600PH-WH
	DVWCL-153PH-WHC
	MACL-153MLH-WH
	MACL-153MR-WH

## Dimming Compatibility - 0-10V models

DIMMER BRAND	DIMMER MODEL
LEVITON	IP710-LFZ
LUTRON	DVSTV-WH

## Specifications

	FMA12T08WCSN	FMA14T10WCSN	FMA16T12WCSN	FMA12V08WCSN	FMA14V10WCSN	FMA16V12WCSN
	TRIAC Models			0-10V Models		
<b>Power Consumption</b>	8/12/16W	10/15/20W	12/18/24W	8/12/16W	10/15/20W	12/18/24W
<b>Equivalency</b>	100W INC	125W INC	150W INC	100W INC	125W INC	150W INC
<b>Lumens Delivered @ 2700K</b>	600/900/1200 lm	750/1125/1500 lm	1000/1500/2000 lm	600/900/1200 lm	750/1125/1500 lm	1000/1500/2000 lm
<b>Lumens Delivered BBU</b>	300 lm	300 lm	300 lm	300 lm	300 lm	300 lm
<b>Efficacy @ 2700K</b>	75 lm/W	75 lm/W	83 lm/W	75 lm/W	75 lm/W	83 lm/W
<b>Beam Angle</b>	≥ 120°					
<b>CRI</b>	≥ 90					
<b>Color Temperature (K)</b>	2700K/3000K/3500K/4000K/5000K (Default is 3000K)					
<b>L70 Lumen maintenance</b>	≥ 50,000 Hrs					
<b>Power Factor</b>	≥ 0.9					
<b>Dimming</b>	TRIAC Dimming Range: 10%-100%			0-10V Dimming Range: 10%-100%		
<b>Operating Temperature</b>	-4°F to 104°F (-20°C to 40°C)					
<b>Lens Material</b>	Polycarbonate					
<b>Listings</b>	ETLus, Title 24 Compliant, JA8					
<b>Environment</b>	ETL listed for damp location					
<b>Warranty</b>	5 years. Check <a href="http://maxlite.com/warranties">maxlite.com/warranties</a> for details.					



# Flush Mount Ceiling Fixture - Architectural Design FMA Series

## c-Max Controls Micro-sites and Compatibility Guide



### Compatible Controls (SOLD SEPARATELY)\*

The table below shows a small subset of control nodes from each tier that directly plug in with the fixture. Refer to individual microsites above for more accessories that could be added based on application requirements.

ORDER CODE	MODEL NUMBER & LINK TO DATA SHEET	DESCRIPTION	QR CODE TO DATA SHEET	IMAGE
<b>c-Max Basic</b>				
105891	<a href="#">CN-MGMST**</a>	CONTROL NODE MAGNET, MICROWAVE MOTION SENSOR, TRANSLUCENT <b>**ONLY AVAILABLE AS FACTORY INSTALLED OPTION</b>		
105567	<a href="#">CN-REMOTE</a>	CONTROL NODE REMOTE CONTROL		
<b>c-Max Network</b>				
105895	<a href="#">NN-MGT**</a>	NETWORK NODE MAGNET, TRANSLUCENT <b>**ONLY AVAILABLE AS FACTORY INSTALLED OPTION</b>		
112440	<a href="#">NNK-RTMSW**</a>	NETWORK NODE KIT - MICROWAVE SENSOR AND BLUETOOTH <b>**ONLY AVAILABLE AS FACTORY INSTALLED OPTION</b>		
109111	<a href="#">WNS3-W</a>	3 BUTTON WALL NETWORK SWITCH (BLUETOOTH) WHITE		
109498	<a href="#">WNS3U-W</a>	120-277V NETWORK (BLUETOOTH) 3-BUTTON WALL SWITCH WHITE		
108392	<a href="#">WNS5-W</a>	5 BUTTON WALL NETWORK SWITCH (BLUETOOTH) WHITE		
109499	<a href="#">WNS7U-W</a>	120-277V NETWORK (BLUETOOTH) 7-BUTTON WALL SWITCH WHITE		
111401	<a href="#">WNS8-W</a>	NETWORK CONTROLS (BLUETOOTH) 8 BUTTON WALL SWITCH WHITE		
107791	<a href="#">CNSL-PSW</a>	C-MAX NETWORK SENSOR 12V, BLUETOOTH/ PIR MOTION SENSOR / DAYLIGHT HARVEST, WHITE		
110750	<a href="#">PPA-06A</a>	12V POWER PACK, 6A, 120-277V		
<b>c-Max Network Partners - Silvair</b>				
112395	<a href="#">NN-MGT-SL**</a>	SILVAIR NETWORK NODE MAGNET, TRANSLUCENT <b>**ONLY AVAILABLE AS FACTORY INSTALLED OPTION</b>		
<b>c-Max Network Partners - Casambi</b>				
112634	<a href="#">NN-MGT-CA**</a>	CASAMBI NETWORK NODE MAGNET, TRANSLUCENT <b>**ONLY AVAILABLE AS FACTORY INSTALLED OPTION</b>		

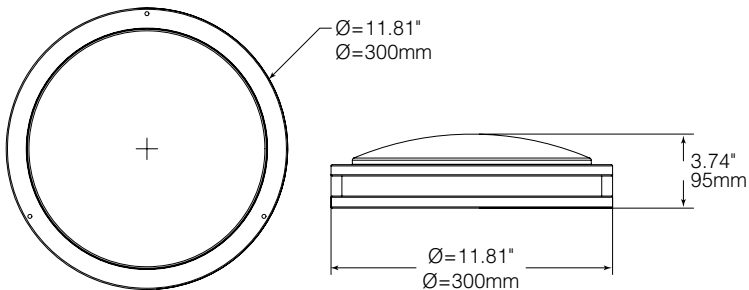
\* Note - This controls ready fixture is compatible with the c-Max platform supporting multiple tiers of controls. The table above shows a small subset of control nodes from each tier that directly plug in with the fixture. Refer to individual microsite above for more accessories that could be added based on application requirements

**\*ONLY AVAILABLE FOR 120-277 0-10V MODELS**

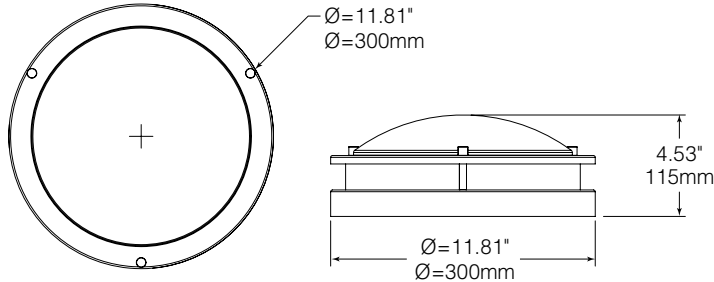
# Flush Mount Ceiling Fixture - Architectural Design FMA Series

**Dimensions:**

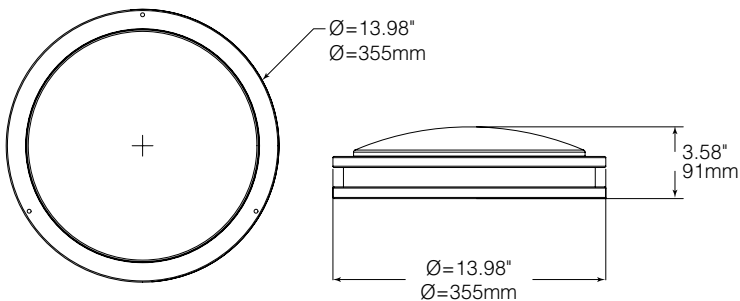
**FMA12T08WCSN / FMA12V08WCSN**



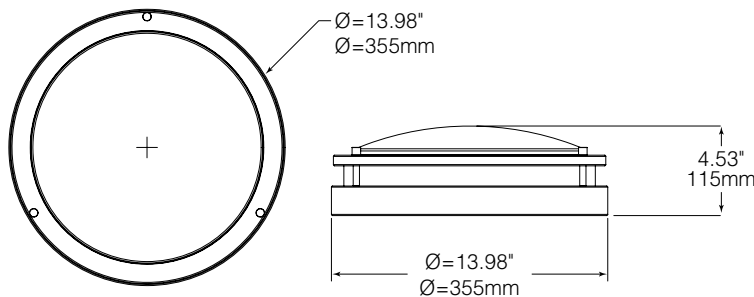
**FMA12V08WCSN-H with MS and/or BBU**



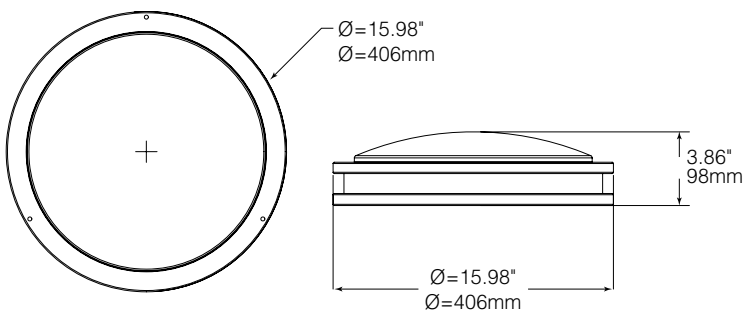
**FMA14T10WCSN / FMA14V10WCSN**



**FMA14V10WCSN-H with MS and/or BBU**



**FMA16T12WCSN / FMA16V12WCSN**



**FMA16V12WCSN-H with MS and or BBU**

