

PROJECT NAME: _____ CAT. #: _____
 NOTES: _____ FIXTURE SCHEDULE: _____

Flush Mount Ceiling Fixtures - Puff Design FMP Series



Description:

The FMP Series Puff Ceiling Fixture combines a clean, low-profile design with advanced lighting performance, making it ideal for commercial, multi-unit residential, and hospitality environments.

Available in 11", 13", and 15" sizes with a smooth white finish, it offers wattage and CCT selectability (2700K–5000K) to suit a wide range of applications. With a CRI ≥90, 120° beam angle, and versatile dimming options (120V Triac or 120–277V 0-10V), the fixture ensures high-quality illumination and control.

Enhanced functionality is provided through bi-level motion sensor, Bluetooth control options, and emergency battery backup. Damp location rated, ETL certified, and Title 24 compliant, the FMP Series delivers reliable, efficient lighting with long-lasting performance (≥50,000 hrs).

Features:

- Wattage Selectable for all 3 sizes
- 2700K/ 3000K/3500K/4000K/5000K CCT Selectable
- Bi-level motion sensor and Emergency Battery models available
- CRI: ≥90
- Beam angle: ≥120°

Dimming:

- 120V option available with 120V Triac dimming (10%)
- 120-277V option available with 0-10V dimming (10%)

Listings:

- ETL Certified for damp locations
- Supports T24 Part 6 high efficacy lighting requirements

Ordering Information

FAMILY	SIZE	DIMMING	WATTAGE (NOMINAL)	CRI & COLOR SELECTABLE	FINISH	SENSOR OPTION	EMERGENCY OPTION
FMP= Flush Mount Puff	11= 11"	T= 120V only TRIAC dimming	08W= 8/12/16W	CS= 90 CRI, 2700/3000/3500/4000/5000K (Default is 3000K)	W= White	[BLANK]= None	[BLANK]= None
	13= 13"	V= 120-277V 0-10V Dimming	10W= 10/15/20W			MS*= Microwave Motion Sensor (CN-MGMST - Factory installed)	EM*= BBU (Factory installed)
	15= 15"		12W= 12/18/24W			N6*= Bluetooth Network Node (NN-MGT - Factory installed)	NK*= Microwave Motion Sensor & Bluetooth (Factory installed)

*ONLY AVAILABLE FOR 0-10V MODELS

Stocked Items

ORDER CODE	MODEL NUMBER	DIMMING TECHNOLOGY	ORDER CODE	MODEL NUMBER	DIMMING TECHNOLOGY
111839	FMP11T08WCSW	TRIAC	111842	FMP11V08WCSW	0-10V
111840	FMP13T10WCSW	TRIAC	111843	FMP13V10WCSW	0-10V
111841	FMP15T12WCSW	TRIAC	111844	FMP15V12WCSW	0-10V



Flush Mount Ceiling Fixtures - Puff Design FMP Series

Dimming Compatibility - TRIAC models

DIMMER BRAND	DIMMER MODEL
LEVITON	603-6631-A
	6631-A
LUTRON	AYCL-153PH
	DVCL-253PH
	DVCL-153P-WH
	DVW-600PH-WH
	DVWCL-153PH-WHC
	MACL-153MLH-WH
	MACL-153MR-WH

Dimming Compatibility - 0-10V models

DIMMER BRAND	DIMMER MODEL
LEVITON	IP710-LFZ
LUTRON	DVSTV-WH

Specifications

	FMP11T08WCSW	FMP13T10WCSW	FMP15T12WCSW	FMP11V08WCSW	FMP13V10WCSW	FMP15V12WCSW
	TRIAC models			0-10V Models		
Power Consumption	8/12/16W	10/15/20W	12/18/24W	8/12/16W	10/15/20W	12/18/24W
Equivalency	100W INC	125W INC	150W INC	100W INC	125W INC	150W INC
Lumens Delivered @ 2700K	600/900/1200 lm	750/1125/1500 lm	1000/1500/2000 lm	600/900/1200 lm	750/1125/1500 lm	1000/1500/2000 lm
Lumens Delivered BBU	350 lm	350 lm	350 lm	350 lm	350 lm	350 lm
Efficacy @ 2700K	75 lm/W	75 lm/W	83 lm/W	75 lm/W	75 lm/W	83 lm/W
Beam Angle	≥ 120°					
CRI	≥ 90					
Color Temperature (K)	2700K/3000K/3500K/4000K/5000K (Default is 3000K)					
L70 Lumen maintenance	≥ 50,000 Hrs					
Power Factor	≥ 0.9					
Dimming	TRIAC Dimming Range: 10%-100%			0-10V Dimming Range: 10%-100%		
Operating Temperature	-4°F to 104°F (-20°C to 40°C)					
Lens Material	Polycarbonate					
Listings	ETLus, Title 24 Compliant, JA8					
Environment	ETL listed for damp location					
Warranty	5 year Warranty. Check maxlite.com/warranties for details.					



Flush Mount Ceiling Fixtures - Puff Design FMP Series

c-Max Controls Micro-sites and Compatibility Guide



Compatible Controls (SOLD SEPARATELY)*

The table below shows a small subset of control nodes from each tier that directly plug in with the fixture. Refer to individual microsites above for more accessories that could be added based on application requirements.

ORDER CODE	MODEL NUMBER & LINK TO DATA SHEET	DESCRIPTION	QR CODE TO DATA SHEET	IMAGE
c-Max Basic				
105891	CN-MGMST**	CONTROL NODE MAGNET, MICROWAVE MOTION SENSOR, TRANSLUCENT <i>**ONLY AVAILABLE AS FACTORY INSTALLED OPTION</i>		
105567	CN-REMOTE	CONTROL NODE REMOTE CONTROL		
c-Max Network				
105895	NN-MGT**	NETWORK NODE MAGNET, TRANSLUCENT <i>**ONLY AVAILABLE AS FACTORY INSTALLED OPTION</i>		
112440	NNK-RTMSW**	NETWORK NODE KIT - MICROWAVE SENSOR AND BLUETOOTH <i>**ONLY AVAILABLE AS FACTORY INSTALLED OPTION</i>		
109111	WNS3-W	3 BUTTON WALL NETWORK SWITCH (BLUETOOTH) WHITE		
109498	WNS3U-W	120-277V NETWORK (BLUETOOTH) 3-BUTTON WALL SWITCH WHITE		
108392	WNS5-W	5 BUTTON WALL NETWORK SWITCH (BLUETOOTH) WHITE		
109499	WNS7U-W	120-277V NETWORK (BLUETOOTH) 7-BUTTON WALL SWITCH WHITE		
111401	WNS8-W	NETWORK CONTROLS (BLUETOOTH) 8 BUTTON WALL SWITCH WHITE		
107791	CNSL-PSW	C-MAX NETWORK SENSOR 12V, BLUETOOTH/ PIR MOTION SENSOR / DAYLIGHT HARVEST, WHITE		
110750	PPA-06A	12V POWER PACK, 6A, 120-277V		
c-Max Network Partners - Silvair				
112395	NN-MGT-SL**	SILVAIR NETWORK NODE MAGNET, TRANSLUCENT <i>**ONLY AVAILABLE AS FACTORY INSTALLED OPTION</i>		
c-Max Network Partners - Casambi				
112634	NN-MGT-CA**	CASAMBI NETWORK NODE MAGNET, TRANSLUCENT <i>**ONLY AVAILABLE AS FACTORY INSTALLED OPTION</i>		

* Note - This controls ready fixture is compatible with the c-Max platform supporting multiple tiers of controls. The table above shows a small subset of control nodes from each tier that directly plug in with the fixture. Refer to individual microsite above for more accessories that could be added based on application requirements

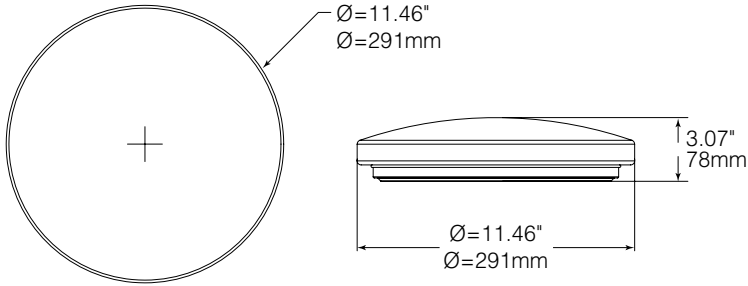
***ONLY AVAILABLE FOR 120-277 0-10V MODELS**

Flush Mount Ceiling Fixtures - Puff Design

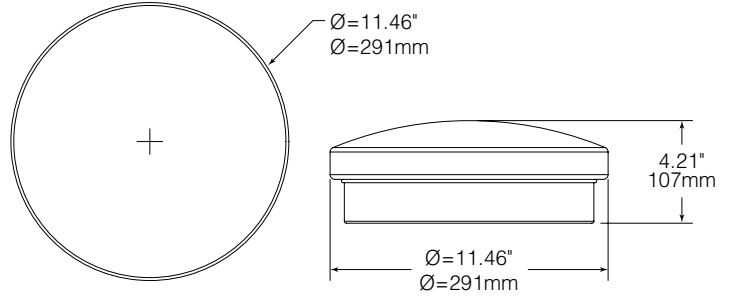
FMP Series

Dimensions:

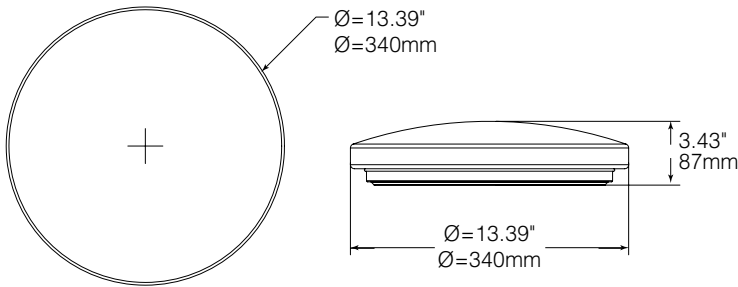
FMP11T08WCSW /FMP11V08WCSW



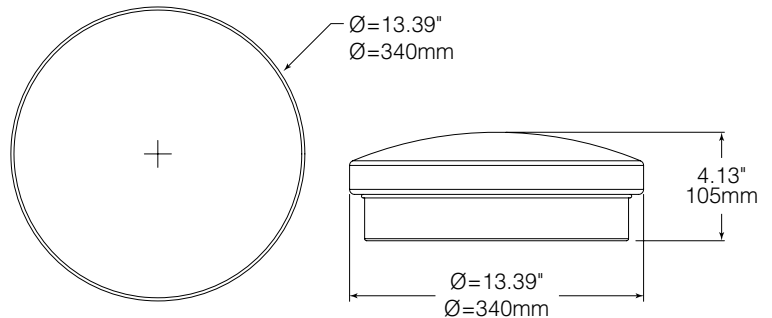
FMP11V08WCSW-H with MS and/or BBU



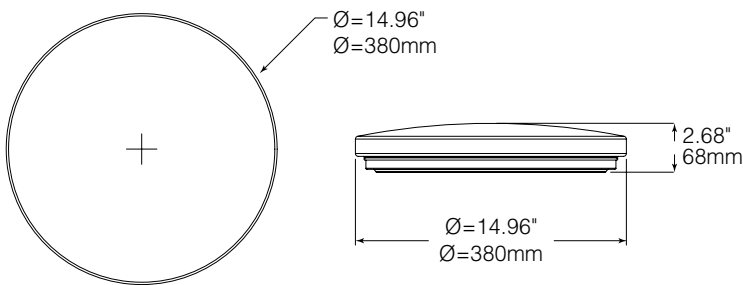
FMP13T10WCSW /FMP13V10WCSW



FMP13V10WCSW-H with MS and/or BBU



FMP15T12WCSW /FMP15V12WCSW



FMP15V12WCSW-H with MS and or BBU

