

**T8 WIRING HARNESS
RETROFIT ACCESSORIES**



G13KIT1



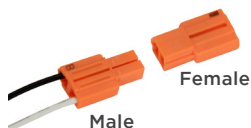
G13KIT2



G13KIT3



G13KIT4

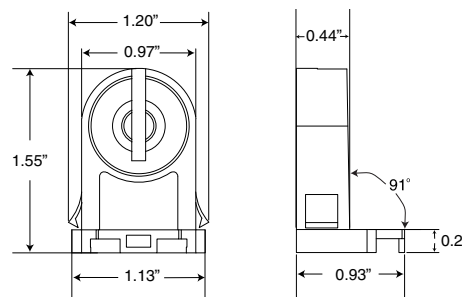


PRODUCT DESCRIPTION:

MaxLite T8 wiring harness is the ideal solution for retrofiting fluorescent T8 lamps with Type-B single-ended LED T8. Each kit comes with pre-wired non-shunted G13 lampholders and a power quick connector to help reduce installation time and cost.

FEATURES:

- Non-shunted G13 lamp holders pre-wired for fast and easy installation
- Easily connect to AC power with quick connector
- UL recognized components
- Available in 1-lamp, 2-lamp, 3-lamp and 4-lamp configurations, extra sockets included in kit
- Lampholder Ratings: 120W, 600V
- Extra socket(s) provided with kit

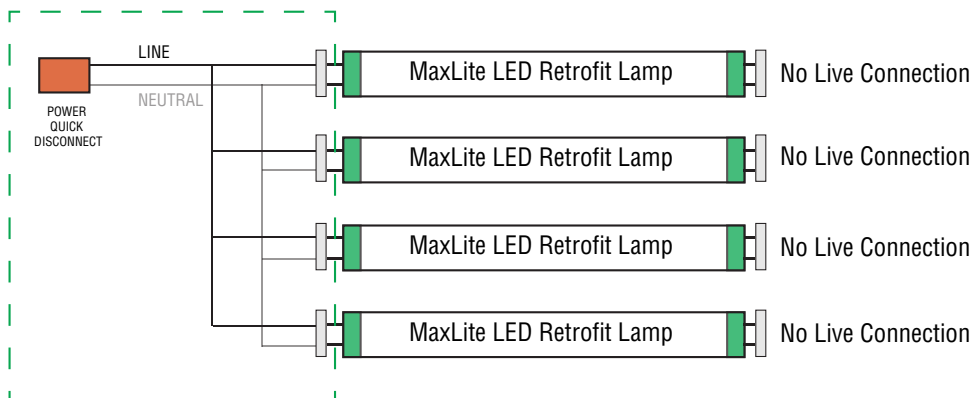


ORDER CODE	ITEM NUMBER	DESCRIPTION
1409026	G13KIT1	1-Lamp Wiring Harness for LED T8 Single-End Powered, Ballast Bypass Lamps, Wire Length 23 inches
1409027	G13KIT2	2-Lamp Wiring Harness for LED T8 Single-End Powered, Ballast Bypass Lamps, Wire Length 23 inches
1409028	G13KIT3	3-Lamp Wiring Harness for LED T8 Single-End Powered, Ballast Bypass Lamps, Wire Length 23 inches
1409029	G13KIT4	4-Lamp Wiring Harness for LED T8 Single-End Powered, Ballast Bypass Lamps, Wire Length 23 inches

NOTES:

1. Not suitable for double-ended LED T8 tubes and external LED T8 tubes

WIRING DIAGRAMS:



--- WIRING HARNESS CONTENTS