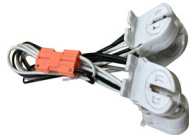


T5 WIRING HARNESS
RETROFIT ACCESSORIES



G5KIT1



G5KIT4



G5KIT6

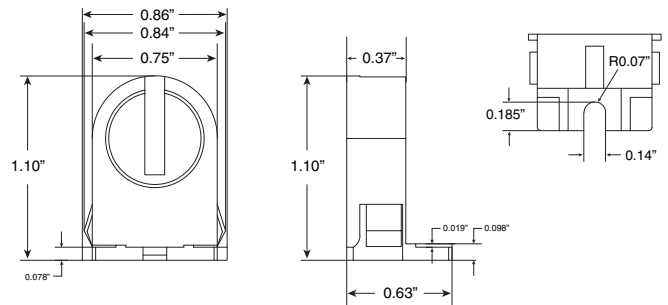


PRODUCT DESCRIPTION:

MaxLite T5 wiring harness is the ideal solution for retrofitting fluorescent T5 lamps with Type-B LED T5. Each kit comes with pre-wired non-shunted G5 lampholders and a power quick connector to help reduce installation time and cost.

FEATURES:

- Non-shunted G5 lamp holders pre-wired for fast and easy installation
- Easily connect to AC power with quick connector
- UL recognized components
- Rotary lock
- Available in 1-lamp, 2-lamp, 4-lamp and 6-lamp configurations



ORDER CODE	ITEM NUMBER	DESCRIPTION
14098784	G5KIT1	1-Lamp Wiring Harness for LED T5 Single-End Powered, Ballast Bypass Lamps
14098785	G5KIT2	2-Lamp Wiring Harness for LED T5 Single-End Powered, Ballast Bypass Lamps
14098786	G5KIT4	4-Lamp Wiring Harness for LED T5 Single-End Powered, Ballast Bypass Lamps
14098787	G5KIT6	6-Lamp Wiring Harness for LED T5 Single-End Powered, Ballast Bypass Lamps

WIRING DIAGRAMS:

