

PROJECT: \_\_\_\_\_ CATALOG # \_\_\_\_\_ NOTES: \_\_\_\_\_ FIXTURE SCHEDULE: \_\_\_\_\_

# HIGHBAY

## HLRM SERIES - CID2



Clear & Diffused Lens

Drop Lens

### FEATURES:

- 3000K, 4000K, 5000K
- Customizable offering with clear, diffused and drop lens option
- Efficacy up to 150 lm/W

### DIMMING:

- 120-277V option available with 0-10V dimming (10%)
- 347-480V option available with 0-10V dimming (10%)

### MOUNTINGS:

- Indoor Pendant, Yoke, Ceiling, Wall and Stanchion Mount
- Outdoor Yoke / Slipfitter Mount

### LISTINGS:

- Class I, Division 2, Groups A, B, C, D
- Class II, Division 1, Groups E, F, G
- Class II, Division 2, Groups F, G
- Class III, Division 1
- Marine Grade
- 1000 hours salt spray testing
- IK08
- IP66
- FCC
- 5G Vibration rating per ANSI C136.31-201

### CONSTRUCTION:

- Die cast aluminum body and impact resistant tempered glass lens
- Stainless steel exposed fasteners
- High temperature silicone gasketing

### CONTROLS READY:

Luminaire Level Lighting Control (LLLC), individual addressability and/or grouping, ability to create scenes and high-Trim/ tuning sets is available and enabled on the product family with wireless Bluetooth technology via the field installable c-Max Network power pack. The power pack needs to be installed in a non hazardous area.

### WARRANTY:

5-year standard warranty\* (further details available at [www.maxlite.com/warranties](http://www.maxlite.com/warranties))  
\*Product may be eligible for a warranty extension to 10 years, for an additional fee. Contact MaxLite for details.

MODEL SELECTION							
FAMILY	NOMINAL WATTAGE	VOLTAGE	DISTRIBUTION	LENS	CCT	MOUNTING	FINISH
<b>HLRM</b> = Medium Size Round, CID2	<b>80</b> = 80W <b>120</b> = 120W <b>150</b> = 150W <b>200</b> = 200W	<b>U</b> = 120-277V <b>H</b> '= 347-480V	<b>[Blank]</b> = Wide, 110°	<b>[Blank]</b> = Clear Glass <b>D</b> <sup>1,2</sup> = Diffused Glass <b>L</b> <sup>1,2</sup> = Low Bay/ Drop lens <sup>1</sup>	<b>[Blank]</b> = 5000K <b>40</b> <sup>1,2</sup> = 4000K <b>30</b> <sup>1,2</sup> = 3000K	<b>[Blank]</b> = Universal, Ceiling and Pendant	<b>[Blank]</b> = Grey

1. Not DLC Listed  
2. Consult factory for lead times

MODEL #	DLC ID #
HLRM80U[blank, U][blank, BL]	PLEOMFRKIT3U
HLRM80U40[blank, U][blank, BL]	PLIZUEMXXWME
HLRM120U[blank, U][blank, BL]	PLQJ8F4AJDXN
HLRM120U40[blank, U][blank, BL]	PL9RAA148MYE

MODEL #	DLC ID #
HLRM150U[blank, U][blank, BL]	PLA6K4QZ15OE
HLRM150U40[blank, U][blank, BL]	PLIKVHJ2V8X9
HLRM200U[blank, U][blank, BL]	PLB1ZRL5B9Q0
HLRM200U40[blank, U][blank, BL]	PLROWHPJFBZS

PROJECT: \_\_\_\_\_ CATALOG # \_\_\_\_\_ NOTES: \_\_\_\_\_ FIXTURE SCHEDULE: \_\_\_\_\_

# HIGHBAY

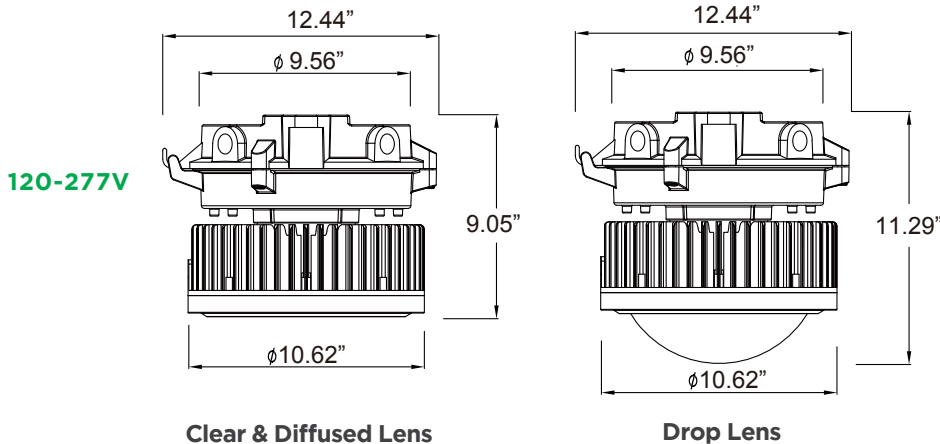
## HLRM SERIES - CID2

### SPECIFICATIONS:

SPECIFICATION	HLRM80	HLRM120	HLRM150	HLRM200
SPECIFICATION	DETAILS			
Input Power (W)	80	120	150	200
Lumens Delivered (lm)*	12,000	18,000	22,500	30,000
Equivalency	320W MH	450W MH	600W MH	750W MH
Efficacy (lm/W)	150	150	150	150
CRI	≥70			
CCT (K)	3000K, 4000K, 5000K			
L70 Lifetime (Hrs)	≥50,000			
Voltage	120-277V and 347-480V with 0-10V Dimming, 10%			
Surge Suppressor	6kV			
Power Factor	≥0.90			
Housing	Copper-Free Aluminum			
Lens Material	Glass			
Mounting	Universal mounting for pendant, Yoke Mount, Ceiling, Wall, Stanchion Mount			
Operating Temperature	-40°F to 149°F	-40°F to 149°F	-40°F to 140°F	-40°F to 131°F
Temperature Code	T4A			
Listings	cETLus Classified, FCC, IP66, CID2; CIID1; CIID2, CIII, Marine Grade			
Environment	Wet locations, Indoor			
Warranty	5-year standard warranty*			

1. Measured at 5000k on wide lens clear glass option

### PRODUCT DIMENSIONS:



PROJECT: \_\_\_\_\_ CATALOG # \_\_\_\_\_ NOTES: \_\_\_\_\_ FIXTURE SCHEDULE: \_\_\_\_\_

**HIGHBAY**  
HLRM SERIES - CID2

**ACCESSORIES TABLE (SOLD SEPARATELY):**

MODEL	DESCRIPTION	DIMENSIONS
HLM22G	HLRM Series, Stanchion 25° (1-1/2 NPT) Mount Bracket	
HLM24G	HLRM Series, Stanchion 25° (1-1/4 NPT) Mount Bracket	
HLM92G	HLRM Series, Stanchion 90° (1-1/2 NPT) Mount Bracket	
HLM94G	HLRM Series, Stanchion 90° (1-1/4 NPT) Mount Bracket	
HLRMW90G	HLRM Series, Wall Mount 90° Bracket, AL, NPT 3/4", Grey	
HLRMWG	HLRM Series, Wire Guard for Drop Lens	
HLRMFG	HLRM Series, Wire Guard for Flat Lens	

PROJECT: \_\_\_\_\_ CATALOG # \_\_\_\_\_ NOTES: \_\_\_\_\_ FIXTURE SCHEDULE: \_\_\_\_\_

**HIGHBAY**  
HLRM SERIES - CID2

**ACCESSORIES TABLE (SOLD SEPARATELY):**

MODEL	DESCRIPTION	DIMENSIONS
HLRMYB	Yoke Bracket, Medium Size, Stainless Steel	
HLRSC	Safety Cable , HLR Series	
HL-TA	2-3/8 INCH TENON ADAPTOR - GREY FINISH	