

# MaxLite® HL Select High Bay



## General Safety Information

- To reduce the risk of death, personal injury or property damage from fire, electric shock, falling parts, cuts/abrasions, and other hazards read all warnings and instructions included with and on the fixture box and all fixture labels.
- Before installing, servicing, or performing routine maintenance upon this equipment, follow these general precautions.
- Commercial installation, service and maintenance of luminaires should be performed by a qualified licensed electrician.
- DO NOT INSTALL DAMAGED PRODUCT!



Picture is for illustration purposes only. Your model may vary.

**WARNING:**

**RISK OF ELECTRICAL SHOCK**

- Turn off electrical power at fuse or circuit breaker box before wiring fixture to the power supply.
- Turn off the power when you perform any maintenance.
- Verify that supply voltage is correct by comparing it with the luminaire label information.
- Make all electrical and grounded connections in accordance with the National Electrical Code and any applicable local code requirements.
- All wiring connections should be capped with UL approved wire connectors.

**CAUTION:**

**RISK OF INJURY**

- Wear gloves and safety glasses at all times when removing luminaire from carton, installing, servicing or performing maintenance.
- Avoid direct eye exposure to the light source while it is on.
- Account for small parts and destroy packing material, as these may be hazardous to children.

**CAUTION:**

**RISK OF FIRE**

- Keep combustible and other materials that can burn away from luminaire and lamp/lens.
- MIN 90°C SUPPLY CONDUCTORS
- Disconnect power and allow fixture to cool before changing bulb or handling fixture.

**Models:**

**HL Select Series**

Included in the box:	
<b>A</b>	LED Fixture - 1pc
<b>B</b>	40" Knotted Chain - 2pcs
<b>C</b>	V hooks - 2pcs

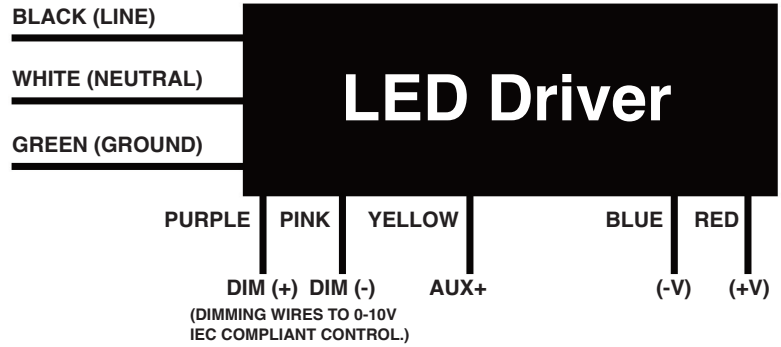


# MaxLite® HL Select High Bay

## Standard Wiring Diagram

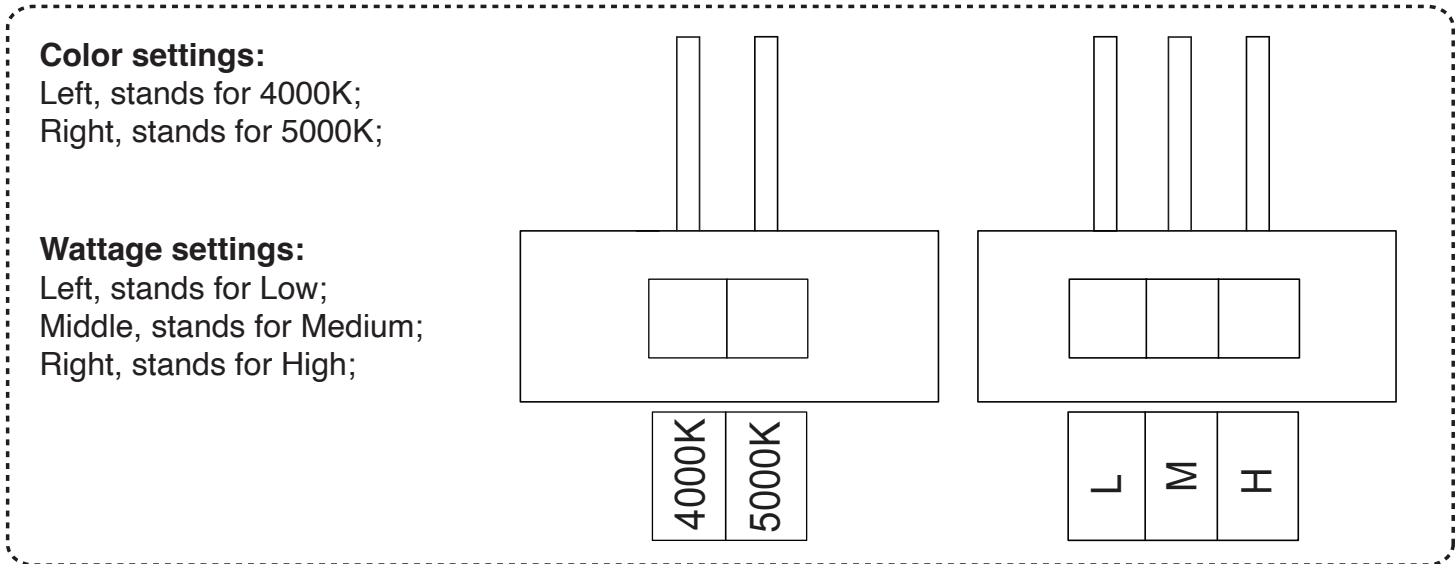
**CAUTION:** Turn off electrical power at fuse or circuit breaker box before wiring fixture to the power supply.

All units must be individually connected to the AC supply.



## Setting Wattage & Color Temperature

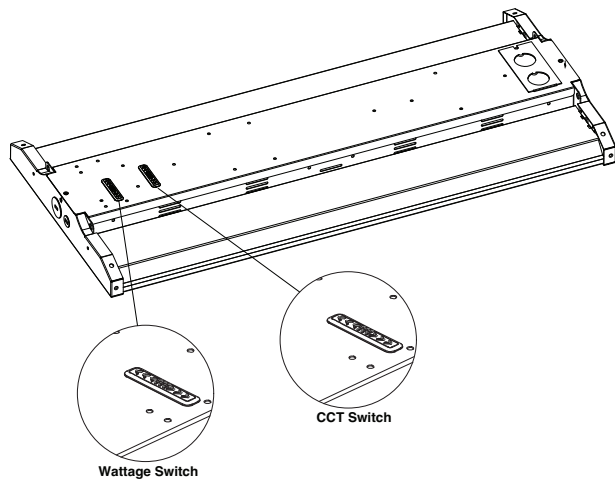
**Note:** Applicable to models ending in WCS only. Models are set to lowest wattage and 5000K.



Adjust the color temperature and lumen output using the two DIP switches. Color temperature switch has 2 options for 4000K and 5000K, and wattage switch has 3 options (left, middle, and right) for wattages depending on the fixture. Use these switches to set desired color temperature and lumen output combination.

Factory Settings: 5000K, lowest wattage based on fixture.

1. DIP switches are located on the back of fixture.
2. Select a wattage and color temperature by sliding switch left or right respectively to the desired value.





# MaxLite® HL Select High Bay

## Installation & Operation

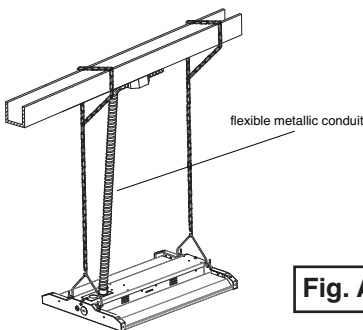
**⚠ WARNING**

Disconnect the power by turning off the circuit breaker or by removing the appropriate fuse at the fuse box. Turning the power off using the light switch is not sufficient to prevent electrical shock.

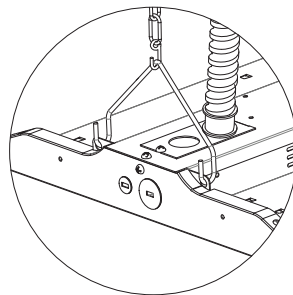
1. Remove the new LED fixture from packaging and inspect for any damage. Handle new LED fixture with care.
2. Connect the LED high bay wiring to line wire, black to black, white to white and green to green. Use only UL listed wiring.
3. Clean all residues/fingerprints from the new LED high bay and lens. Double check all hanging hardware before moving onto the next installation.

### A: Chain Mounting Installation

1. Ensure that both 40° knotted chains have a small hook on both ends.
2. Install both V-hooks onto each side of the fixture body (**Figure A-2**)
3. Connect the V-hooks to the chains with the hooks on each chain. Adjust the height of the installation by locking the chain hook on the other side of the chain. (**Figure A-1**)
4. Use the flexible metallic conduit to run the line, neutral and ground wires for powering the fixture. (**Figure A-1**)



**Fig. A-1**

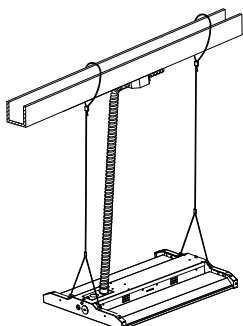


**Fig. A-2**

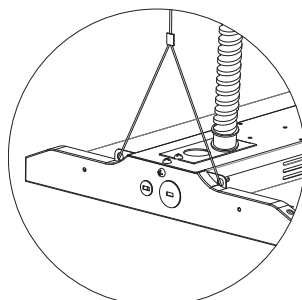
### B: Cable Mounting Installation: MLCHKLSU15 (mounting kit available separately)

Included with the mounting kit	
<b>A</b>	Metal cables - 2pcs

1. Run the cable kit wires through the four holes provided at each end of the fixture as shown in **Figure B-1**. Ensure that the fastener passes through the hole completely **Figure B-3**.
2. Use the regulator to adjust the height of the fixture **Figure B-4**.
3. Ensure that the fixture is upright and the power conduit is not stressed.
4. Use the flexible metallic conduit to run the line, neutral and ground wires for powering the fixture. (**Figure B-1**)



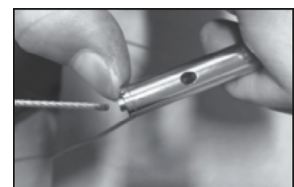
**Fig. B-1**



**Fig. B-2**



**Fig. B-3**



**Fig. B-4**



# MaxLite® HL Select High Bay

## Installation & Operation

### C. Surface Mounting Instructions for 120-277V models (Kits sold separately)

<b>HLS-SMKIT1 (for all 120-277V models)</b>	
<b>Included with the mounting kit:</b>	
<b>A</b>	Mounting bracket - 2pcs
<b>B</b>	Screws - 4pcs

1. Align the surface mount brackets with the fixture back plate as show in the **Figure C-1**
2. Screw the round head screws into the screw holes to fix the surface mount brackets on the fixture body. (**Figure C-1**)
3. Locate the holes on the surface mount brackets and mark the corresponding hole positions on the mounting surface.
4. Nail the anchors at each mark on the mounting surface. Drill the self-tapping screws at the marks. (**Figure C-2**)
5. Lift the fixture to the surface and ensure that each screw passes through the center hole of the mounting bracket. (**Figure C-3**)
6. Slide the fixture to the position so that the fixture stays secured in its place. (**Figure C-4**)

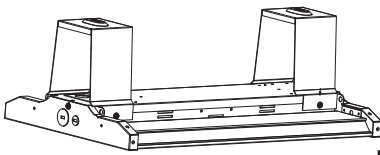


Fig. C-1

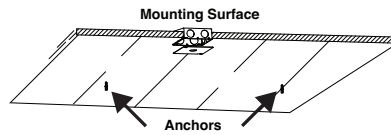


Fig. C-2

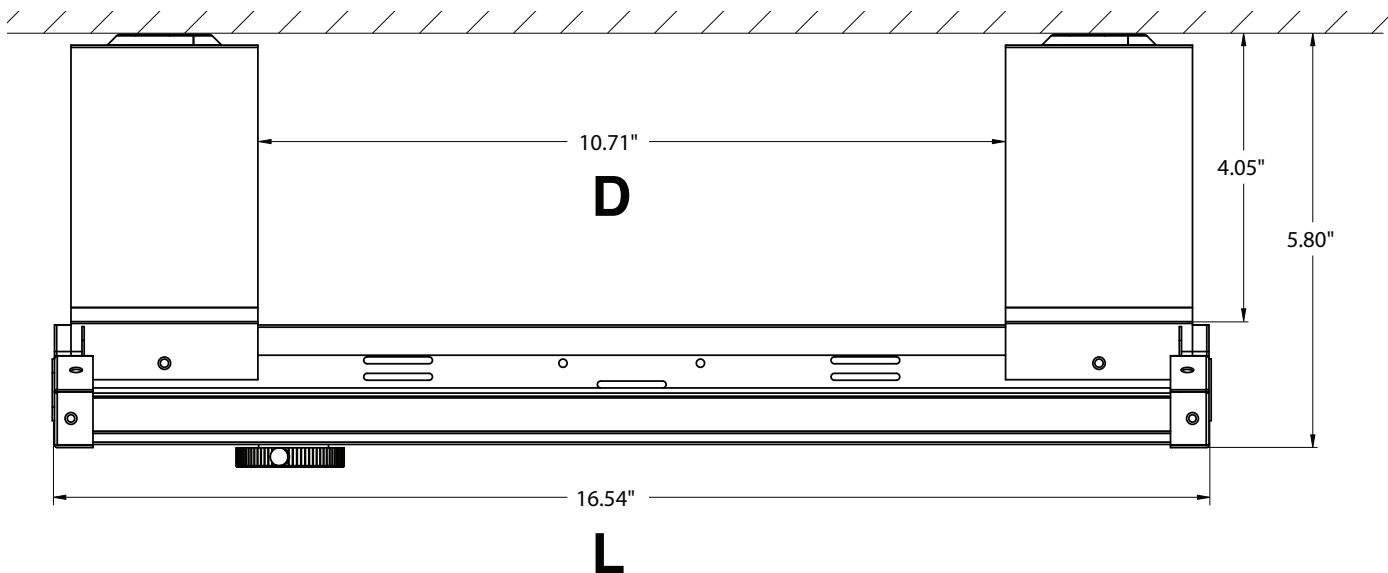


Fig. C-3



Fig. C-4

### C. Surface Mounting Dimensions: HLS-SMKIT1 (mounting kit available separately)



	Length of fixture (L)	Inner Distance between the 2 SMK brackets (D)
1.4FT - 78W/92W/135W	16.54"	10.71"
1.9FT - 135W/155W	22.83"	17.01"
2.6FT - 200W/230W	31.10"	25.28"
3.7FT - 270W/360W	44.09"	38.27"



# MaxLite® HL Select High Bay

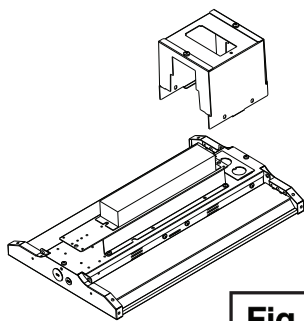
## Surface Mounting Instructions for 480V models (Kits sold separately)

HLS-SMKIT2 (for 1.4ft and 1.9ft 480V models)	
Included with the mounting kit:	
A	Mounting bracket - 2pcs
B	Mounting bracket cover - 2pcs
C	Screws - 6pcs

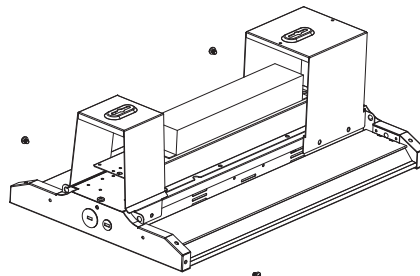
HLS-SMKIT1 (for 2.6ft and 3.7ft 480V models)	
Included with the mounting kit:	
A	Mounting bracket - 2pcs
B	Screws - 4pcs

1. Remove the wiring box from the fixture. **(Fig. 1)**
2. Install surface mount bracket onto the fixture and secure with the provided screws. **(Fig. 2)**
3. Make wiring connections and install the cover plates onto the junction box bracket. **(Fig. 3)**
4. Refer to **Fig. 4** for complete installation illustration.
5. Install ceiling anchor points, lift the fixture to the surface and ensure that each screw passes through the center holes of the mounting brackets.
6. Slide the fixture into position so that the fixture stays secured in its place. **(Fig. 5)**

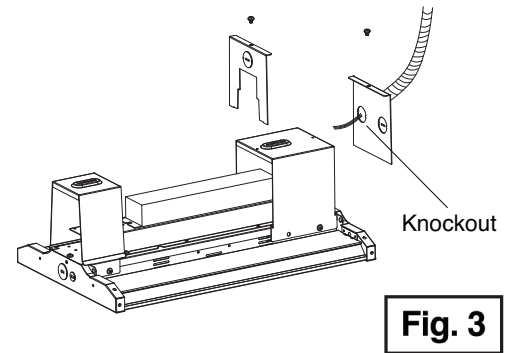
### HLS-SMKIT2 (1.4FT and 1.9FT models)



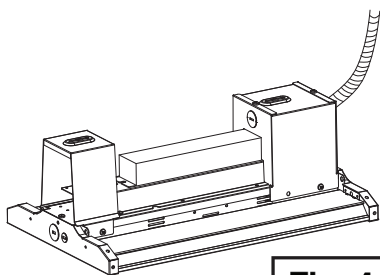
**Fig. 1**



**Fig. 2**



**Fig. 3**



**Fig. 4**



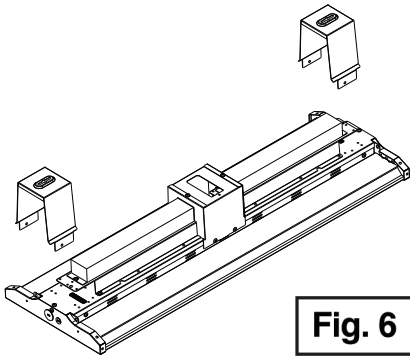
**Fig. 5**



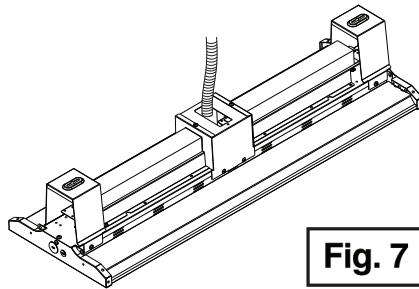
# MaxLite® HL Select High Bay

## HLS-SMKIT1 (2.6FT and 3.7FT)

1. Install surface mount bracket onto the fixture and secure it in place with provided screws. (Fig. 6)
2. Refer to Fig. 7 for complete installation illustration.
3. Install fixture following steps 5-6 from previous page.

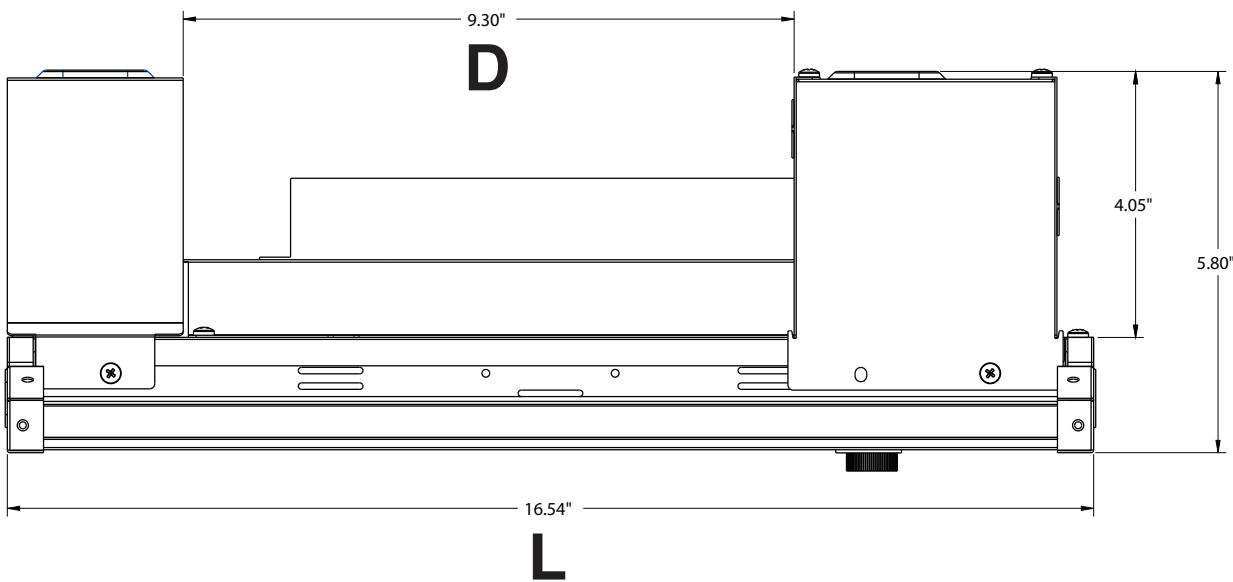


**Fig. 6**



**Fig. 7**

## Dimensions



	Length of fixture (L)	Inner Distance between the 2 SMK brackets (D)
1.4FT - 78W/92W/135W	16.54"	9.30"
1.9FT - 135W/155W	22.83"	15.30"
2.6FT - 200W/230W	31.10"	25.28"
3.7FT - 270W/360W	44.09"	38.27"



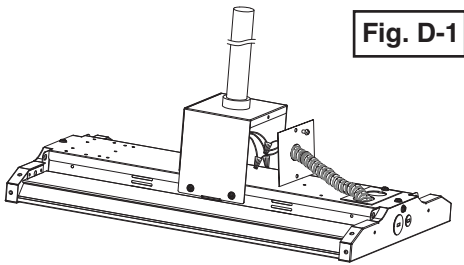
# MaxLite® HL Select High Bay

## Installation & Operation

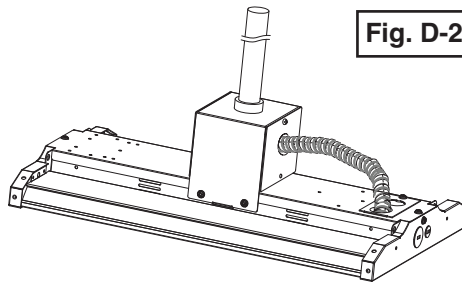
### D: Stem/Pipe Mounting Installation: HLS-PMKIT1 (Sold Separately)

Included with the mounting kit	
HLS-PMKIT1	
<b>A</b>	Mounting bracket - 1pcs
<b>B</b>	Mounting bracket cover - 2pcs
<b>C</b>	Screws - 6pcs

1. Align the pipe mounting bracket on the fixture back plate as shown in the **Figure D-1**.
2. Connect the line, neutral and ground wires and run them through the bracket hole. (**Figure D-2**). A flexible metallic conduit may need to be used for 1.5ft models (**Figure D-2**).
3. Screw the round head screws into the screw holes to fix the pipe mounting bracket in place.
4. Cover the pipe mount bracket from all the sides using the bracket cover as shown. (**Figure D-2**).



**Fig. D-1**



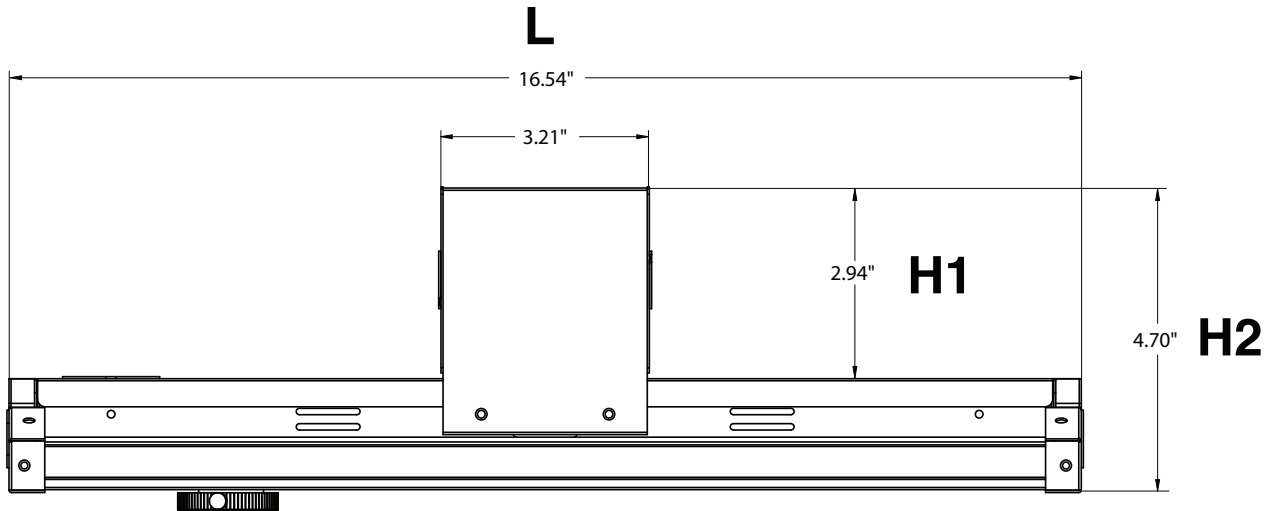
**Fig. D-2**



# MaxLite® HL Select High Bay

## Installation & Operation

D: Stem/Pipe Mounting Dimensions: HLS-PMKIT1 (mounting kit available separately)



	Length of fixture (L)	Height from top of the PMK bracket to the top of the housing (H1)	Height from top of the PMK bracket to the bottom of the housing (H2)
1.4FT - 78W/92W/135W	16.54"	2.94"	4.70"
1.9FT - 135W/155W	22.83"	2.94"	4.70"
2.6FT - 200W/230W	31.10"	2.94"	4.70"
3.7FT - 270W/360W	44.09"	2.94"	4.70"







# MaxLite® HL Select High Bay

## Stem/Pipe Mounting Kit - HLS-PMKIT (480VAC) (Sold Separately)

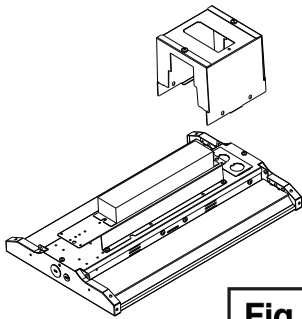
Included with the mounting kit	
HLS-PMKIT2	
A	Mounting bracket - 2pcs
B	Mounting bracket cover - 4pcs
C	Screws - 10pcs

Included with the mounting kit	
HLS-PMKIT3	
A	Mounting bracket - 1pcs
B	Mounting bracket cover - 2pcs
C	Triangle lock screws - 6pcs

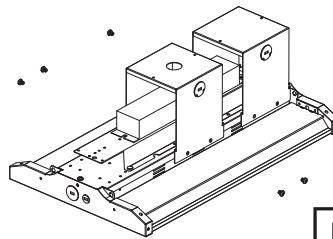
Included with the mounting kit	
HLS-PMKIT4	
A	Mounting bracket - 1pcs
B	Mounting bracket cover - 2pcs
C	Triangle lock screws - 6pcs

1. Remove the wiring box from the fixture. **(Fig. 1)**
2. Install pipe mounting bracket onto the fixture and secure it in place with the provided screws. **(Fig. 2)**
3. Make wiring connections. A flexible metallic conduit may be used for 1.5ft models. **(Fig. 3)**
4. Install the cover plates to the junction box bracket. **(Fig. 4)**
5. Refer to **Fig. 5** for complete installation illustration.

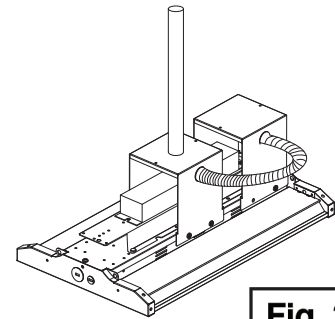
### HLS-PMKIT2 (1.4FT and 1.9FT models)



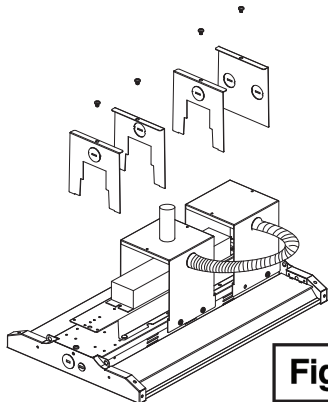
**Fig. 1**



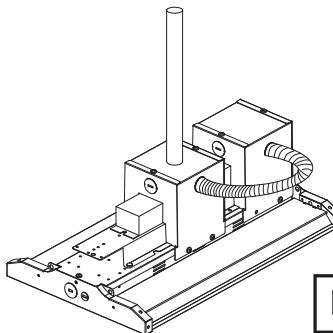
**Fig. 2**



**Fig. 3**



**Fig. 4**



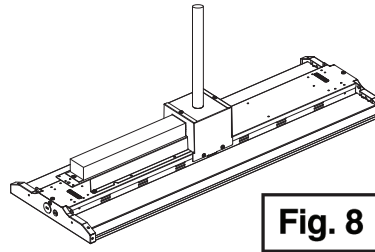
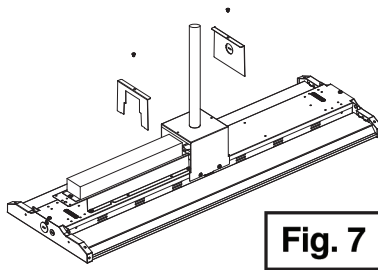
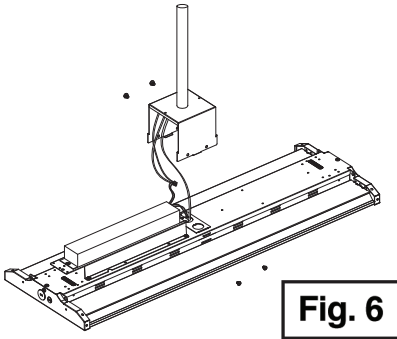
**Fig. 5**



## MaxLite® HL Select High Bay

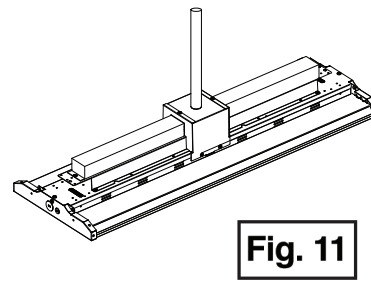
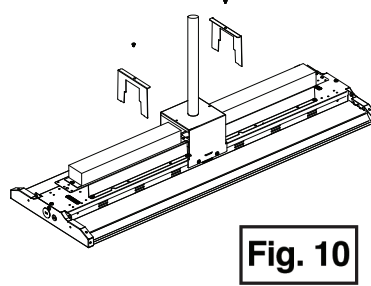
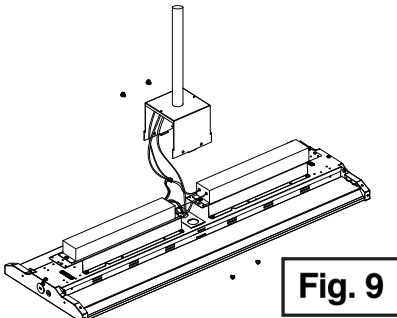
### HLS-PMKIT3 (2.6FT models)

1. Install pipe mount bracket onto the fixture and secure it in place with provided screws. **(Fig. 6)**
2. Attach the cover plates to the pipe mount bracket. **(Fig. 7)**
3. Final assembly illustration. **(Fig. 8)**



### HLS-PMKIT4 (3.7FT models)

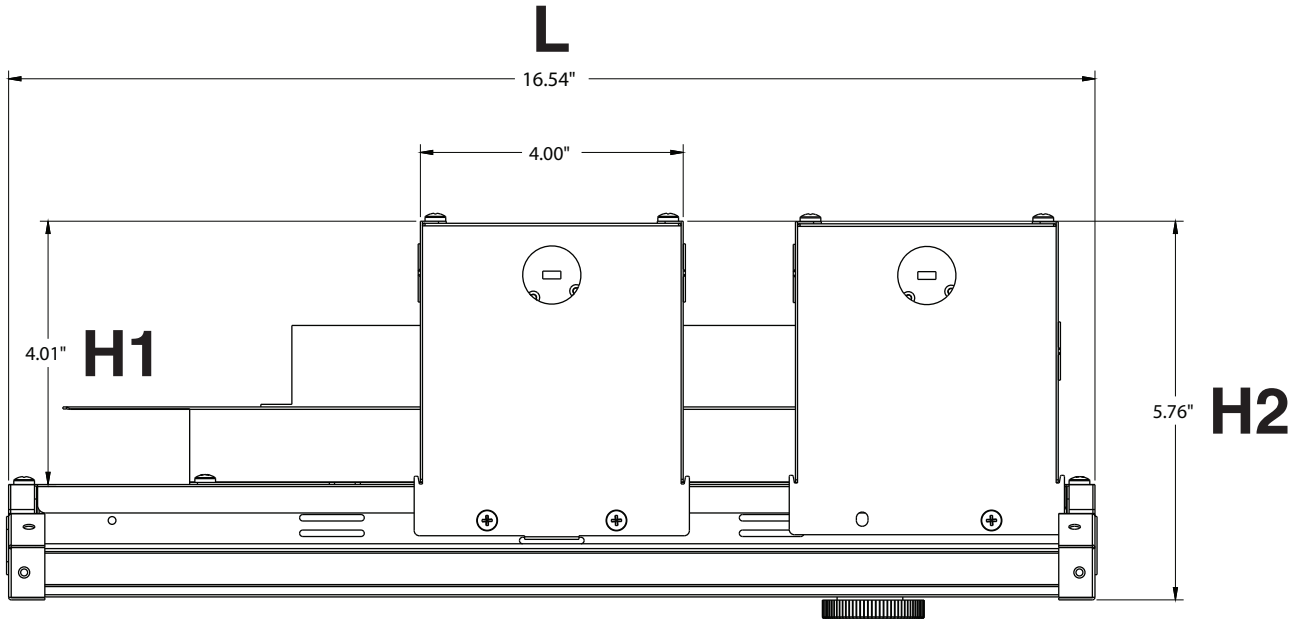
1. Install pipe mount bracket onto the fixture and secure it in place with provided screws. **(Fig. 9)**
2. Attach the cover plates to the pipe mount bracket.
3. Final assembly illustration. **(Fig. 11)**



MaxLite® HL Select High Bay



Dimensions



	Length of fixture (L)	Height from top of the PMK bracket to the top of the housing (H1)	Height from top of the PMK bracket to the bottom of the housing (H2)
1.4FT - 78W/92W/135W	16.54"	4.01"	5.76"
1.9FT - 135W/155W	22.83"	4.01"	5.76"
2.6FT - 200W/230W	31.10"	4.01"	5.76"
3.7FT - 270W/360W	44.09"	4.01"	5.76"



# MaxLite® HL Select High Bay

## Installation & Operation

### E: Integrated Emergency Battery Back-up Installation

1. Install the mounting brackets to the fixture by using the 4 screws. (Figure E-1)
2. Mount the emergency LED driver unit on the mounting bracket using additional screws. (Figure E-2)
3. Make the electrical connections as shown. (Figure E-3). Use the Emergency Battery Unit Wiring Diagram.

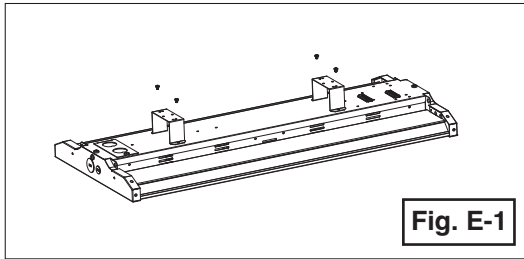


Fig. E-1

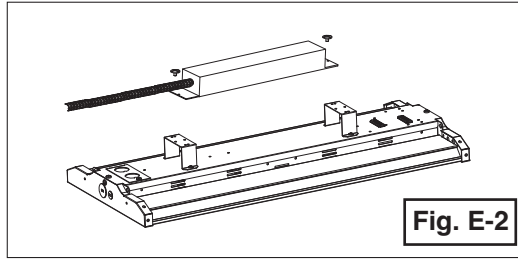


Fig. E-2

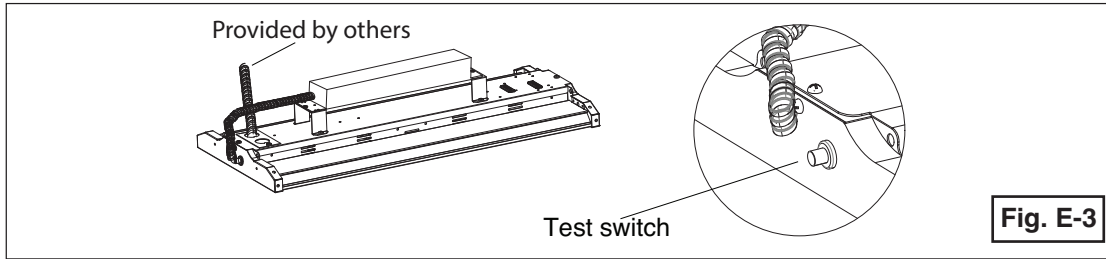
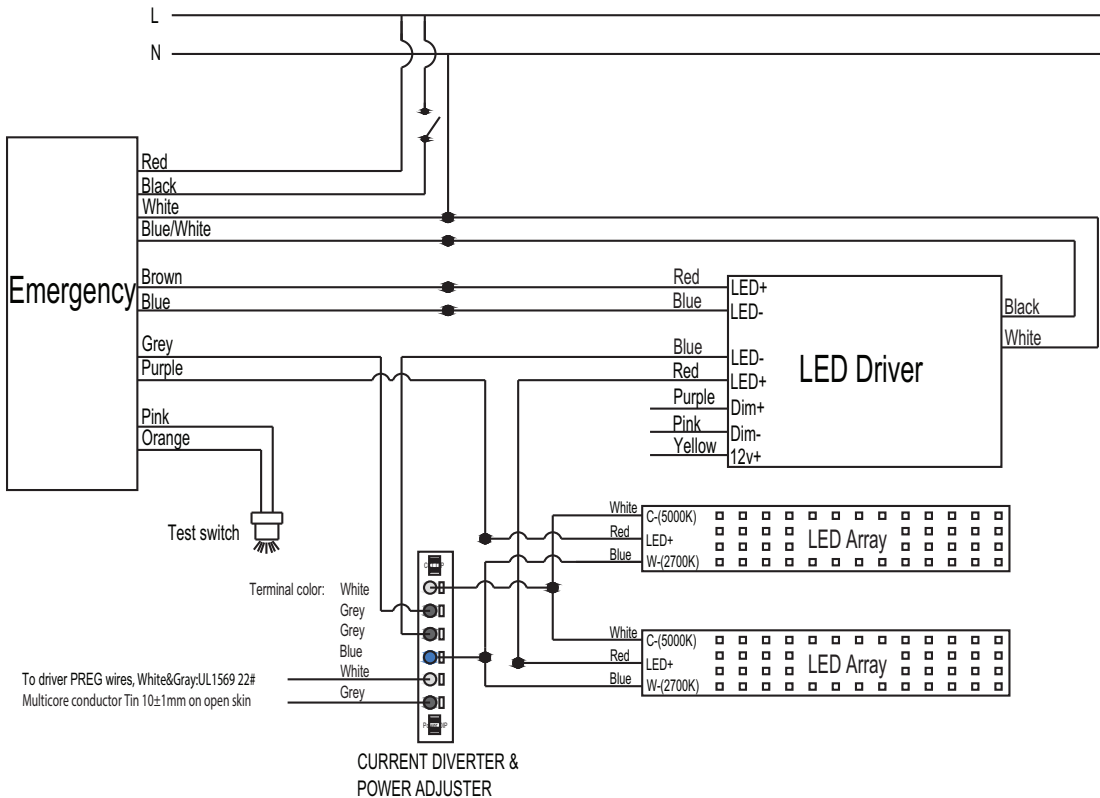


Fig. E-3

## Emergency Battery Unit Wiring Diagram

### 1.4FT (HLS-078WUF-CSCR)

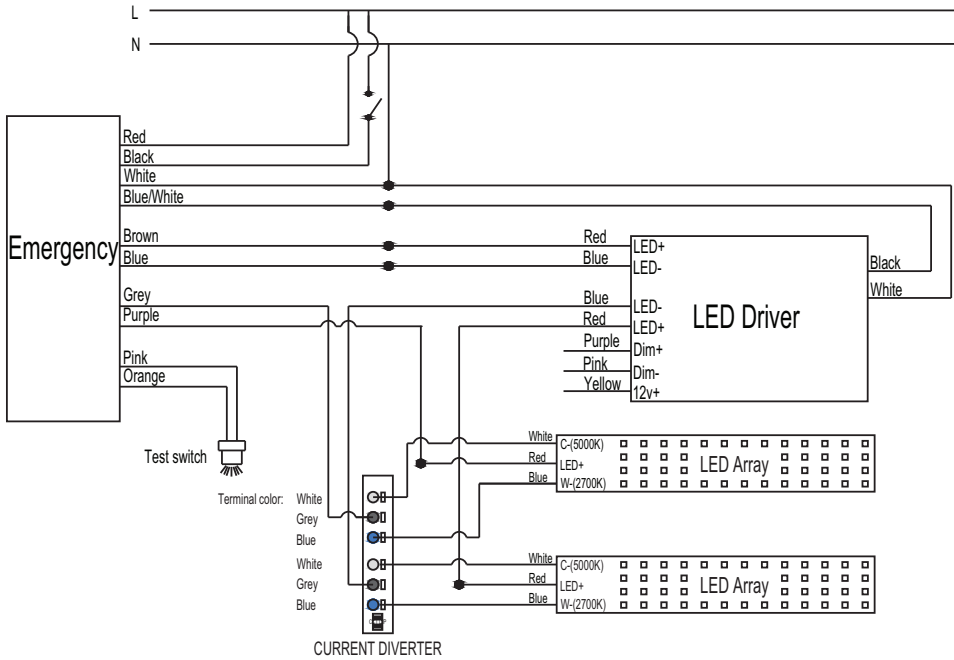




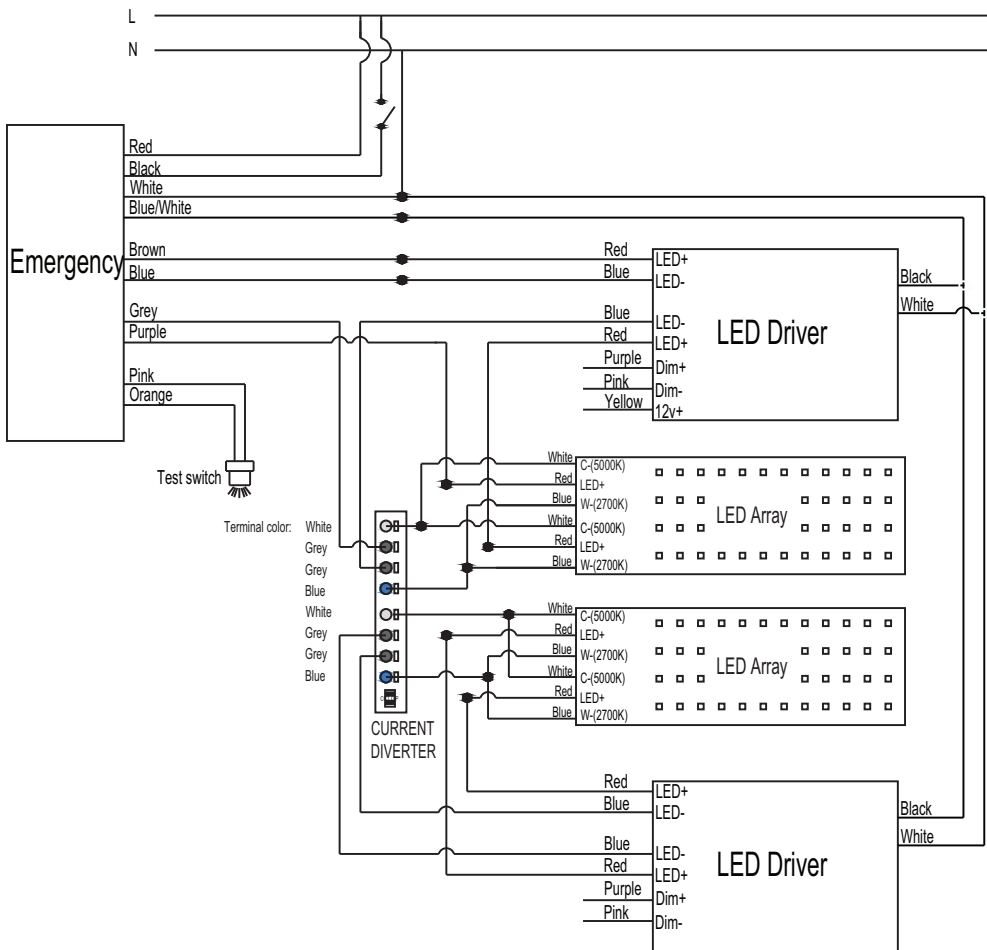
# MaxLite® HL Select High Bay

## Emergency Battery Unit Wiring Diagram (Continued)

### 1.9FT(HLS-155UF-CSCR & HLS-135WUF-CSCR)



### 2.6FT(HLS-200WUF-CSCR) / 3.7FT(HLS-270WUF-CSCR)

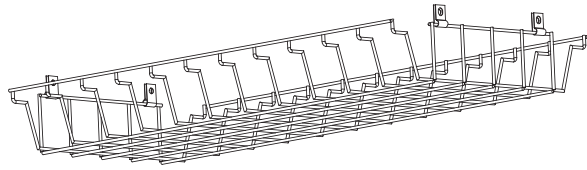


# MaxLite® HL Select High Bay



## Optional Accessories Installation Instructions

### Wire Guard Kit (Sold Separately)



Models	Maxlite P/N	Size (mm) L x W x H
78W, 92W, 135W	HLS-WGW1	393.8 x 455 x 32
135W, 155W Kit	HLS-WGW2	393.8 x 645 x 32
200W, 230W Kit	HLS-WGW3	494 x 645 x 32
270W, 360W Kit	HLS-WGW4	494 x 1196 x 32

**Included in the box:**

- A:** Wire guard - 1pc
- B:** Metal Clips - 4pc
- C:** Screws (M4x6x8) - 4pc

1. Locate the 4 screw holes (2 on either end-cap) of the fixture.
2. Position the metal clips on the wire guard (**Fig. 1**)
3. Using the provided screws, fasten the clips to the fixture body by screwing the clips into the fixture's pre-drilled holes (**Fig. 2**)
4. Inspect the wire-guard to ensure that it is secure with the fixture. (**Fig. 3**)

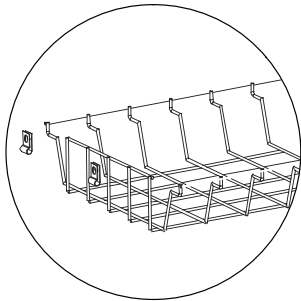


Figure 1

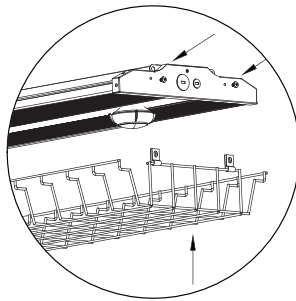


Figure 2

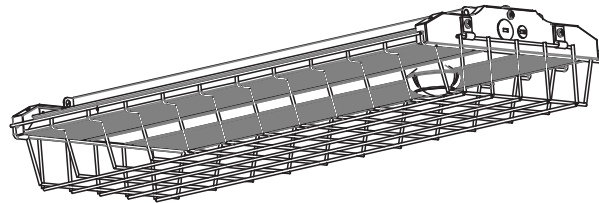


Figure 3

# MaxLite® HL Select High Bay



## Narrow Beam - HLS-NLENS (Sold Separately)

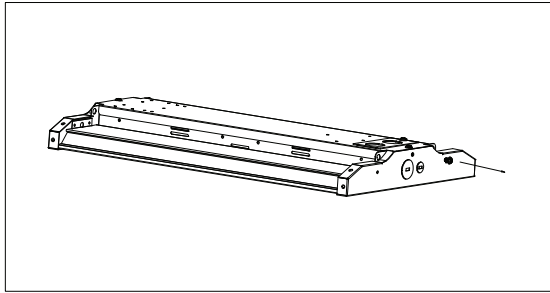
Included with the mounting kit	
--------------------------------	--

A	Narrow Beam Lens
---	------------------

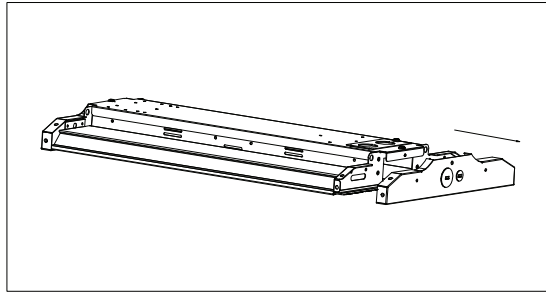


Scan QR code to watch installation video

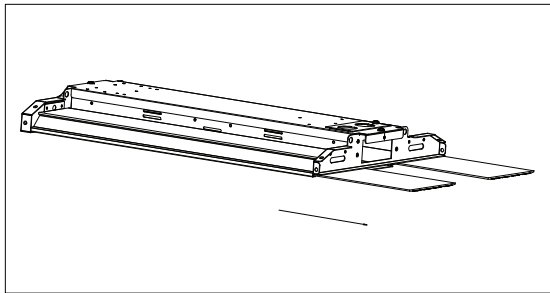
1. Remove the screw on one end-cover.



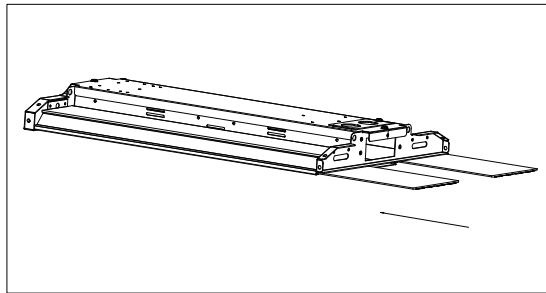
2. Remove the end-cover.



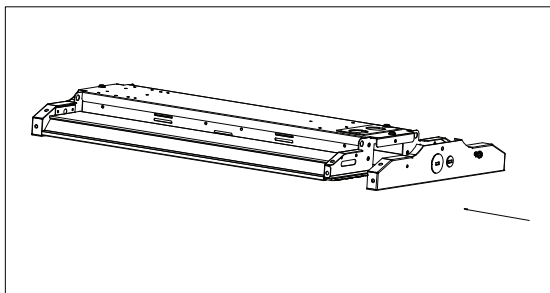
3. Remove the diffuser.



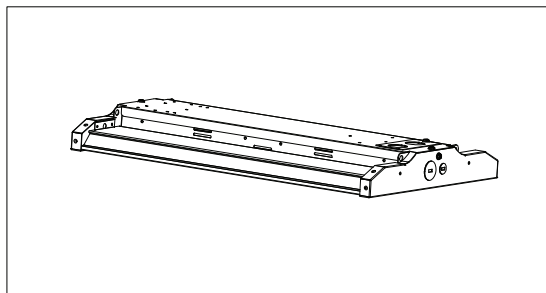
4. Insert the desired diffuser into the channel.



5. Reattach the end-cover to the fixture's body and secure with screw.



6. The replacement is completed.





# MaxLite® HL Select High Bay

## c-Max™ node Installation Instructions (Applicable only on CR models)

1. Remove the set screw from the round c-Max™ USB-C receptacle (see FIG. 1).

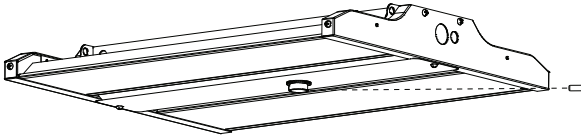


FIG. 1

2. Remove the USB-C receptacle cover by turning it 90° (see FIG. 2).

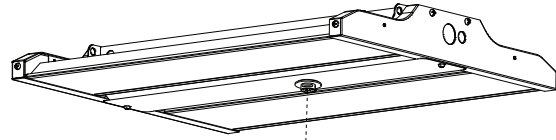
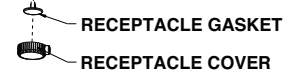


FIG. 2



3. Plug the c-Max™ control node into the USB-C receptacle (see FIG. 3).

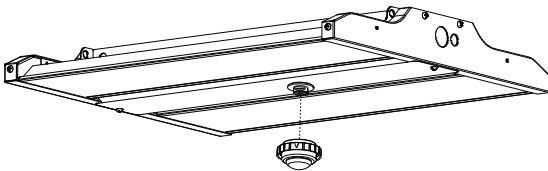


FIG. 3

4. Rotate the outer ring until the arrows align (see FIG. 4).

**Note:** This is important to seal the fixture.

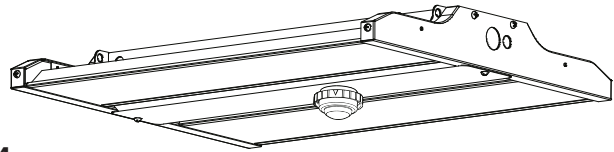


FIG. 4

5. Secure the control node in place with the provided set screw.

**Note:** This is important to prevent vandalism and shaking loose with vibration.



## MaxLite® HL Select High Bay



### Warranty Information

#### **10-Year standard warranty with labor allowance\***

(see terms at [www.maxlite.com/warranties](http://www.maxlite.com/warranties))

\*Warranty Limitations: Product must be rated for application per the Product Data Sheet (PDS); operated  $\leq 16$  hrs; in ambient temperatures  $-4^{\circ}\text{F}$  to  $77^{\circ}\text{F}$ .

\*Up to \$25/unit; registration required. Additional coverage may be available for purchase; contact MaxLite.

\*Excludes EM/MS versions; component warranty applies.

\*If ambient temperatures fall outside the  $-4^{\circ}\text{F}$  to  $77^{\circ}\text{F}$  range; product is warranted for 5 years according to the operating temperature range specified on the PDS.

#### Limitation of Liability

THE FOREGOING WARRANTY IS EXCLUSIVE, AND IS THE SOLE REMEDY FOR ANY AND ALL CLAIMS, WHETHER IN CONTRACT, IN TORT OR OTHERWISE ARISING FROM THE FAILURE OF PRODUCT AND IS IN LIEU OF ALL OTHER WARRANTIES, EXPRESS OR IMPLIED, INCLUDING ALL WARRANTIES OF MERCHANTABILITY OR FITNESS FOR A PARTICULAR PURPOSE, WHICH WARRANTIES ARE HEREBY EXPRESSLY DISCLAIMED TO THE EXTENT PERMITTED BY LAW AND, IN ANY EVENT, SHALL BE LIMITED TO THE WARRANTY PERIOD SPECIFIED ABOVE. THE LIABILITY OF MAXLITE SHALL BE LIMITED TO THE TERMS OF THE EXPRESS WARRANTY SET FORTH HEREIN. IN NO EVENT WILL MAXLITE BE LIABLE FOR ANY SPECIAL, INCIDENTAL OR CONSEQUENTIAL DAMAGES INCLUDING, WITHOUT LIMITATION, DAMAGES RESULTING FROM LOSS OF USE, PROFITS, BUSINESS OR GOODWILL, LABOR COSTS, REMOVAL OR INSTALLATION COSTS, DECREASE IN THE LIGHT OUTPUT OF THE LAMP, AND/OR DETERIORATION IN THE LAMP'S PERFORMANCE, WHETHER OR NOT MAXLITE HAS BEEN ADVISED OF THE POSSIBILITY THEREOF. UNDER NO CIRCUMSTANCES SHALL MAXLITE'S ENTIRE LIABILITY FOR A DEFECTIVE PRODUCT EXCEED THE PURCHASE PRICE OF THAT PRODUCT. WARRANTY SERVICES PROVIDED UNDER THESE TERMS AND CONDITIONS DO NOT ENSURE THE UNINTERRUPTED OPERATION OF PRODUCTS; MAXLITE SHALL NOT BE LIABLE FOR DAMAGES CAUSED BY ANY DELAYS INVOLVING WARRANTY SERVICE.

This Limited Warranty gives you specific legal rights and you may also have other rights that may vary from state to state. Because some states or jurisdictions do not allow the exclusion or limitation of liability for consequential or incidental damages, this limitation may not apply to you.