

PROJECT NAME: _____ CAT. #: _____

NOTES: _____ FIXTURE SCHEDULE: _____

LED Adjustable Vaporproof Jelly Jar

CCT Selectable



Product Description:

The LED Adjustable Jelly Jar is an all-in-one replacement for incandescent and CFL fixtures over doorways, scaffolding, construction sites, fire hydrants and emergency call stations. An adjustable knuckle allows the luminaire to rotate from 90 to 180 degrees, enabling it to be mounted as a pendant, ceiling or wall fixture. Additionally, the Jelly Jar features a CCT Selectable switch that provides a choice of three color temperatures to suit customer preference. Wet listed and durably constructed with plastic lens and aluminum wire guard, the Jelly Jar offers easy maintenance and years of high-quality illumination.

Features:

- 3000K/4000K/5000K CCT Selectable
- All-in-One pendant, ceiling and wall mount
- 90 to 180 degrees adjustable with a lock in mechanism to allow field setting at a specific angle
- Vandal resistant screws
- Five ½ NPT knockouts available for pipe or conduit mounting

Voltage:

- 120-277V

Construction:

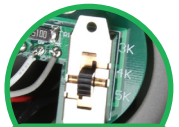
- Die cast aluminum housing
- Plastic lens
- IP65

Listings:

- UL Listed for Wet Locations, outdoor
- Energy Star



Locking Mechanism



CCT Select Switch

Ordering Structure

FAMILY	STYLE	WATTAGE	VOLTAGE	CCT
JJ= Jelly Jars	X= Pendant, Ceiling, Wall Mount	20= 20W	U= 120-277V	CS= 3000K/4000K/5000K

Stocked Items

ORDER CODE	MODEL NUMBER	ES#
105177	JJX20UCS	2372816



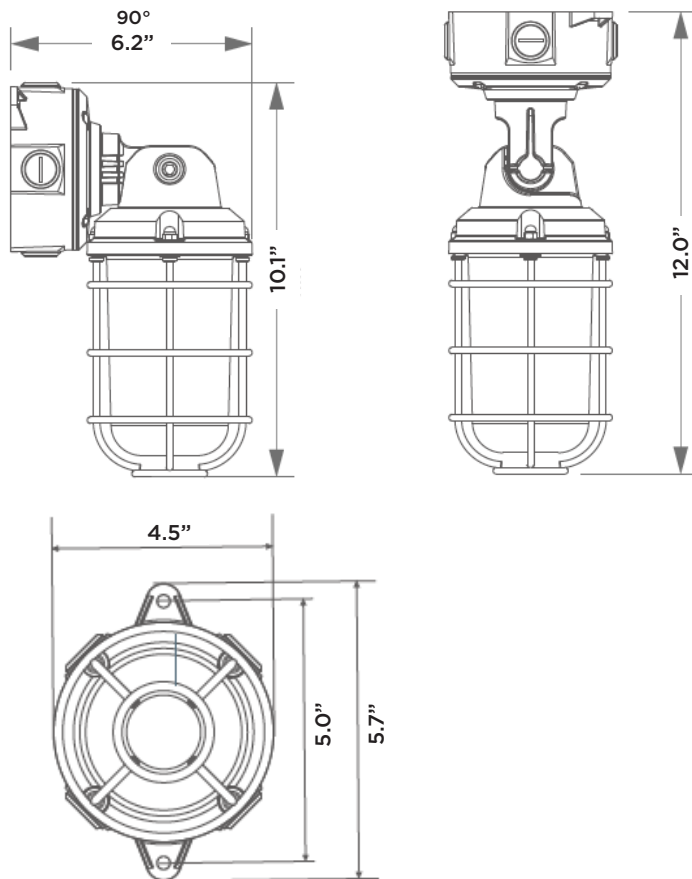
5-year standard warranty (further details available at www.maxlite.com/warranties)

Product may be eligible for a warranty extension to 10 years, for an additional fee. Contact MaxLite for details.

LED Adjustable Vaporproof Jelly Jar CCT Selectable

Specifications	JJX20UCS
Output (lm, 3000K)	1,900
Efficacy (lm/W)	95
CCT	3000K, 4000K, 5000K
CRI	≥80
Equivalency	150W INC
L70 Lifetime (hrs)	≥54,000
Wattage (W)	20W
Power Factor	≥0.90
Input Voltage	120-277V
Housing	Die Cast Aluminum
Lens	Plastic
Operating Temperature	-22°F to 113°F
Listings	cULus, IP65, ES, FCC
Environment	Wet location, Outdoor
Warranty	5 years

Dimensions:



Layouts:

