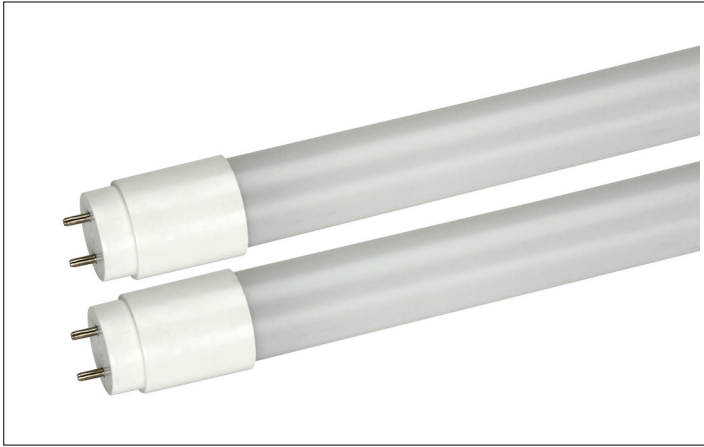


## LED T8 EXTERNAL DRIVER EXTERNAL DIMMABLE T8 COATED GLASS SERIES - UL TYPE-C



1-2 Lamp Kit



3-4 Lamp Kit

### PRODUCT DESCRIPTION:

MaxLite LED T8 with External Driver are the ideal energy saving choices when upgrading traditional linear T8 fluorescent lamps in fixtures containing standard G13 (medium bi-pin) sockets.



### FEATURES:

- Instant on
- Dimmable: Yes, 0-10V
- Mercury free and virtually no UV or IR light
- Suitable for open or enclosed fixtures
- Suitable for dry and damp locations

### CONTROLS READY:

MaxLite's new Controls Ready (CR) fixtures allows for quick and easy in-field installation (plug and play) of controls. Simply purchase any CR fixture and the required Controls Node and you're all set! See the accessory table for all controls options available for this fixture.

### WARRANTY:

5-year standard warranty (further details available at [www.maxlite.com/warranties](http://www.maxlite.com/warranties)) Product may be eligible for a warranty extension to 10 years, for an additional fee. Contact MaxLite for details.

FAMILY	WATTAGE	LAMP TYPE	OPERATION	SIZE	CCT	DRIVER
L= LED	7.5= 7.5W	T8= T8 TUBE	EX= EXTERNAL DRIVER	2= 2-FT	35= 3500K 40= 4000K 50= 5000K	<b>DR1L7.5=</b> EXTERNAL DRIVER FOR 1-LAMP <b>DR2L7.5=</b> EXTERNAL DRIVER FOR 2-LAMP <b>DR3L7.5=</b> EXTERNAL DRIVER FOR 3-LAMP <b>DR4L7.5=</b> EXTERNAL DRIVER FOR 4-LAMP
FAMILY	WATTAGE	LAMP TYPE	OPERATION	SIZE	CCT	DRIVER
L= LED	11.5= 11.5W	T8= T8 TUBE	EX= EXTERNAL DRIVER	3= 3-FT	35= 3500K 40= 4000K 50= 5000K	<b>DR1L11.5=</b> EXTERNAL DRIVER FOR 1-LAMP <b>DR2L11.5=</b> EXTERNAL DRIVER FOR 2-LAMP <b>DR3L11.5=</b> EXTERNAL DRIVER FOR 3-LAMP <b>DR4L11.5=</b> EXTERNAL DRIVER FOR 4-LAMP
FAMILY	WATTAGE	LAMP TYPE	OPERATION	SIZE	CCT	DRIVER
L= LED	11.5= 11.5W	T8= T8 TUBE	EX= EXTERNAL DRIVER	4= 4-FT	35= 3500K 40= 4000K 50= 5000K	<b>DR1L11.5=</b> EXTERNAL DRIVER FOR 1-LAMP <b>DR2L11.5=</b> EXTERNAL DRIVER FOR 2-LAMP <b>DR3L11.5=</b> EXTERNAL DRIVER FOR 3 LAMP <b>DR4L11.5=</b> EXTERNAL DRIVER FOR 4-LAMP
FAMILY	WATTAGE	LAMP TYPE	OPERATION	SIZE	CCT	DRIVER
L= LED	13= 13W	T8= T8 TUBE	EX= EXTERNAL DRIVER	4= 4-FT	35= 3500K 40= 4000K 50= 5000K	<b>DR1L13=</b> EXTERNAL DRIVER FOR 1-LAMP <b>DR2L13=</b> EXTERNAL DRIVER FOR 2-LAMP <b>DR3L13=</b> EXTERNAL DRIVER FOR 3 LAMP <b>DR4L13=</b> EXTERNAL DRIVER FOR 4-LAMP

### STOCKED ITEMS | 2ft - 7.5W

ORDER CODE	MODEL NUMBER	DLC PRODUCT ID	PRODUCT DESCRIPTION
<b>3500K</b>			
105146	L7.5T8EX235DR1L7.5	PL0T5BPSEXM1	7.5W T8 2-FT LED (UL-C) 3500K (1 LAMP) EXTERNAL DRIVER
105072	L7.5T8EX235DR2L7.5	PLGQR4PSW30Q	7.5W T8 2-FT LED (UL-C) 3500K (2 LAMPS) EXTERNAL DRIVER
105149	L7.5T8EX235DR3L7.5	PLXUVVUTW0DV	7.5W T8 2-FT LED (UL-C) 3500K (3 LAMPS) EXTERNAL DRIVER
105075	L7.5T8EX235DR4L7.5	PLZQO5X1T6G8	7.5W T8 2-FT LED (UL-C) 3500K (4 LAMPS) EXTERNAL DRIVER
<b>4000K</b>			
105147	L7.5T8EX240DR1L7.5	PL1ZECUKFAD6	7.5W T8 2-FT LED (UL-C) 4000K (1 LAMP) EXTERNAL DRIVER
105073	L7.5T8EX240DR2L7.5	PL8PBOJBU8KQ	7.5W T8 2-FT LED (UL-C) 4000K (2 LAMPS) EXTERNAL DRIVER
105150	L7.5T8EX240DR3L7.5	PLVRM8ZXABI7	7.5W T8 2-FT LED (UL-C) 4000K (3 LAMPS) EXTERNAL DRIVER
105076	L7.5T8EX240DR4L7.5	PLPZA562Z1OX	7.5W T8 2-FT LED (UL-C) 4000K (4 LAMPS) EXTERNAL DRIVER
<b>5000K</b>			
105148	L7.5T8EX250DR1L7.5	PL6JZ167XP3Q	7.5W T8 2-FT LED (UL-C) 5000K (1 LAMP) EXTERNAL DRIVER
105074	L7.5T8EX250DR2L7.5	PL6TDE9G0LFP	7.5W T8 2-FT LED (UL-C) 5000K (2 LAMPS) EXTERNAL DRIVER
105151	L7.5T8EX250DR3L7.5	PLS90N4CQOSL	7.5W T8 2-FT LED (UL-C) 5000K (3 LAMPS) EXTERNAL DRIVER
105077	L7.5T8EX250DR4L7.5	PLBRL797KB55	7.5W T8 2-FT LED (UL-C) 5000K (4 LAMPS) EXTERNAL DRIVER

### STOCKED ITEMS | 3ft - 11.5W

ORDER CODE	MODEL NUMBER	DLC PRODUCT ID	PRODUCT DESCRIPTION
<b>3500K</b>			
105152	L11.5T8EX335DR1L11.5	PL9QELOKUSUJ	11.5W T8 3-FT LED (UL-C) 3500K (1 LAMP) EXTERNAL DRIVER
105078	L11.5T8EX335DR2L11.5	PLMBE7JYT1GG	11.5W T8 3-FT LED (UL-C) 3500K (2 LAMPS) EXTERNAL DRIVER
105155	L11.5T8EX335DR3L11.5		11.5W T8 3-FT LED (UL-C) 3500K (3 LAMPS) EXTERNAL DRIVER
105081	L11.5T8EX335DR4L11.5		11.5W T8 3-FT LED (UL-C) 3500K (4 LAMPS) EXTERNAL DRIVER
<b>4000K</b>			
105153	L11.5T8EX340DR1L11.5	PLKTGZXN8R5B	11.5W T8 3-FT LED (UL-C) 4000K (1 LAMP) EXTERNAL DRIVER
105079	L11.5T8EX340DR2L11.5	PLKMWSAOXZMR	11.5W T8 3-FT LED (UL-C) 4000K (2 LAMPS) EXTERNAL DRIVER
105156	L11.5T8EX340DR3L11.5		11.5W T8 3-FT LED (UL-C) 4000K (3 LAMPS) EXTERNAL DRIVER
105082	L11.5T8EX340DR4L11.5		11.5W T8 3-FT LED (UL-C) 4000K (4 LAMPS) EXTERNAL DRIVER
<b>5000K</b>			
105154	L11.5T8EX350DR1L11.5	PLREKPJ3VVPW	11.5W T8 3-FT LED (UL-C) 5000K (1 LAMP) EXTERNAL DRIVER
105080	L11.5T8EX350DR2L11.5	PLZEPSB9O7JS	11.5W T8 3-FT LED (UL-C) 5000K (2 LAMPS) EXTERNAL DRIVER
105157	L11.5T8EX350DR3L11.5		11.5W T8 3-FT LED (UL-C) 5000K (3 LAMPS) EXTERNAL DRIVER
105083	L11.5T8EX350DR4L11.5		11.5W T8 3-FT LED (UL-C) 5000K (4 LAMPS) EXTERNAL DRIVER

### STOCKED ITEMS | 4ft - 11.5W

ORDER CODE	MODEL NUMBER	DLC PRODUCT ID	PRODUCT DESCRIPTION
<b>3500K</b>			
105158	L11.5T8EX435DR1L11.5	PLS6O6WF65TL	11.5W T8 4-FT LED (UL-C) 3500K (1 LAMP) EXTERNAL DRIVER
105084	L11.5T8EX435DR2L11.5	PLNODNVWLJ9R	11.5W T8 4-FT LED (UL-C) 3500K (2 LAMPS) EXTERNAL DRIVER
105161	L11.5T8EX435DR3L11.5	PLIXH760NOGV	11.5W T8 4-FT LED (UL-C) 3500K (3 LAMPS) EXTERNAL DRIVER
105087	L11.5T8EX435DR4L11.5	PLSRFPY0XOXU	11.5W T8 4-FT LED (UL-C) 3500K (4 LAMPS) EXTERNAL DRIVER
<b>4000K</b>			
105159	L11.5T8EX440DR1L11.5	PLJSNIQ8XF03	11.5W T8 4-FT LED (UL-C) 4000K (1 LAMP) EXTERNAL DRIVER
105085	L11.5T8EX440DR2L11.5	PL6LYO0682JD	11.5W T8 4-FT LED (UL-C) 4000K (2 LAMPS) EXTERNAL DRIVER
105162	L11.5T8EX440DR3L11.5	PLUY9MLHY5CP	11.5W T8 4-FT LED (UL-C) 4000K (3 LAMPS) EXTERNAL DRIVER
105088	L11.5T8EX440DR4L11.5	PL8828N9DF32	11.5W T8 4-FT LED (UL-C) 4000K (4 LAMPS) EXTERNAL DRIVER
<b>5000K</b>			
105160	L11.5T8EX450DR1L11.5	PL554X7KCXN9	11.5W T8 4-FT LED (UL-C) 5000K (1 LAMP) EXTERNAL DRIVER
105086	L11.5T8EX450DR2L11.5	PLV5AWTGLZL0	11.5W T8 4-FT LED (UL-C) 5000K (2 LAMPS) EXTERNAL DRIVER
105163	L11.5T8EX450DR3L11.5	PLN3R6D251PP	11.5W T8 4-FT LED (UL-C) 5000K (3 LAMPS) EXTERNAL DRIVER
105089	L11.5T8EX450DR4L11.5	PLEP8L8BCK6Z	11.5W T8 4-FT LED (UL-C) 5000K (4 LAMPS) EXTERNAL DRIVER

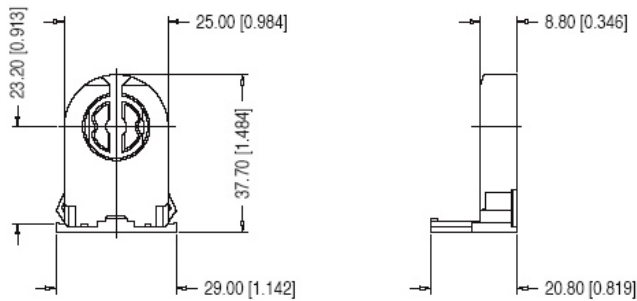
### STOCKED ITEMS | 4ft - 13W

ORDER CODE	MODEL NUMBER	DLC PRODUCT ID	PRODUCT DESCRIPTION
<b>3500K</b>			
105164	L13T8EX435DR1L13	PLOY83XX6RO9	13W T8 4-FT LED (UL-C) 3500K (1 LAMP) EXTERNAL DRIVER
105090	L13T8EX435DR2L13	PLJQ6877W7DS	13W T8 4-FT LED (UL-C) 3500K (2 LAMPS) EXTERNAL DRIVER
105167	L13T8EX435DR3L13	PLABOHGK2VNS	13W T8 4-FT LED (UL-C) 3500K (3 LAMPS) EXTERNAL DRIVER
105093	L13T8EX435DR4L13	PLRZFWP6Q74D	13W T8 4-FT LED (UL-C) 3500K (4 LAMPS) EXTERNAL DRIVER
<b>4000K</b>			
105165	L13T8EX440DR1L13	PL3LBIJLVZV1F	13W T8 4-FT LED (UL-C) 4000K (1 LAMP) EXTERNAL DRIVER
105091	L13T8EX440DR2L13	PLBNAZVTVJIO	13W T8 4-FT LED (UL-C) 4000K (2 LAMPS) EXTERNAL DRIVER
105168	L13T8EX440DR3L13	PL1XMHDDSKOR	13W T8 4-FT LED (UL-C) 4000K (3 LAMPS) EXTERNAL DRIVER
105094	L13T8EX440DR4L13	PL9MCRE5C3O2	13W T8 4-FT LED (UL-C) 4000K (4 LAMPS) EXTERNAL DRIVER
<b>5000K</b>			
105166	L13T8EX450DR1L13	PL8EPO058L8W	13W T8 4-FT LED (UL-C) 5000K (1 LAMP) EXTERNAL DRIVER
105092	L13T8EX450DR2L13	PLEI0030PRD8	13W T8 4-FT LED (UL-C) 5000K (2 LAMPS) EXTERNAL DRIVER
105169	L13T8EX450DR3L13	PL0W0Y4M8AWT	13W T8 4-FT LED (UL-C) 5000K (3 LAMPS) EXTERNAL DRIVER
105095	L13T8EX450DR4L13	PLWF1L0H93J7	13W T8 4-FT LED (UL-C) 5000K (4 LAMPS) EXTERNAL DRIVER

### SPECIFICATIONS:

ITEM	SPECIFICATION	2 - FOOT - DETAILS	3 - FOOT - DETAILS	4 - FOOT - DETAILS	
<b>GENERAL PERFORMANCE</b>	Power Consumption (bare lamp)	7.5W	11.5W	11.5W	13W
	System Power	9W	13W	13W	15W
	Lumens Delivered	1150-1200 lm	1650-1700 lm	1750-1800 lm	2100-2200 lm
	Efficacy	128-133 lm/W	127-131 lm/W	135-138 lm/W	140-147lm/w
	CRI	≥80			
	Beam Angle	160°			
	Color Temperature (CCT)	3500K, 4000K & 5000K			
	Lumen Maintenance (L70)	50,000 Hours			
<b>ELECTRICAL</b>	Power Factor	≥ 0.90			
	Input Voltage	120V-277V, 50/60 Hz			
<b>PHYSICAL</b>	Operating Temperature	4°F to 113°F (-20 to 45°C)			
	Lens	Coated Glass			
	Base	Medium Bi-Pin (G13)			
<b>CERTIFICATION</b>	Certification	cETLus, FCC			
	Material Usage	RoHS compliant; no mercury			
	Environment	Damp location			
	Warranty	5 Years			

### LINE DRAWING DIMENSION (G13LPNS)



### ACCESSORIES (SOLD SEPARATELY):

ORDER CODE	MODEL NUMBER	DESCRIPTION	ACCESSORIES IMAGE
73978	G13LPNS	G13 Low Profile Non-Shunted Lamp Holder	
103548	T8C-BBU	Battery Back Up for Type C Linears	
105891	CN-MGMST	Control Node Magnet, Microwave Motion Sensor, Translucent	
105567	CN-REMOTE	Control Node Remote Control	

### Sensor

SENSOR	TECHNOLOGY	DIMMING	REMOTE CONTROL	QR CODE
CN-MGMST	Microwave for Motion Sensing	Bi-Level	CN-REMOTE	