

LED T8 EXTERNAL DRIVER EXTERNAL DIMMABLE T8 SERIES - UL TYPE-C



PRODUCT DESCRIPTION:

MaxLite LED T8 with External Driver are the ideal energy saving choices when upgrading traditional linear T8 fluorescent lamps in fixtures



FEATURES:

- Instant on
- Dimmable: Yes, 0-10V
- Mercury free and virtually no UV or IR light
- Suitable for open or enclosed fixtures
- Suitable for dry and damp locations

WARRANTY:

5-year standard warranty (further details available at www.maxlite.com/warranties) Product may be eligible for a warranty extension to 10 years, for an additional fee. Contact

FAMILY	WATTAGE	LAMP TYPE	OPERATION	SIZE	CCT	DRIVER
L= LED	7.5= 7.5W	T8= T8 TUBE	EX= EXTERNAL DRIVER	2= 2-FT	35= 3500K 40= 4000K 50= 5000K	DR1L7.5= EXTERNAL DRIVER FOR 1-LAMP DR2L7.5= EXTERNAL DRIVER FOR 2-LAMP DR3L7.5= EXTERNAL DRIVER FOR 3-LAMP DR4L7.5= EXTERNAL DRIVER FOR 4-LAMP
FAMILY	WATTAGE	LAMP TYPE	OPERATION	SIZE	CCT	DRIVER
L= LED	11.5= 11.5W	T8= T8 TUBE	EX= EXTERNAL DRIVER	3= 3-FT	35= 3500K 40= 4000K 50= 5000K	DR1L11.5= EXTERNAL DRIVER FOR 1-LAMP DR2L11.5= EXTERNAL DRIVER FOR 2-LAMP DR3L11.5= EXTERNAL DRIVER FOR 3-LAMP DR4L11.5= EXTERNAL DRIVER FOR 4-LAMP
FAMILY	WATTAGE	LAMP TYPE	OPERATION	SIZE	CCT	DRIVER
L= LED	11.5= 11.5W	T8= T8 TUBE	EX= EXTERNAL DRIVER	4= 4-FT	35= 3500K 40= 4000K 50= 5000K	DR1L11.5= EXTERNAL DRIVER FOR 1-LAMP DR2L11.5= EXTERNAL DRIVER FOR 2-LAMP DR3L11.5= EXTERNAL DRIVER FOR 3 LAMP DR4L11.5= EXTERNAL DRIVER FOR 4-LAMP
FAMILY	WATTAGE	LAMP TYPE	OPERATION	SIZE	CCT	DRIVER
L= LED	13= 13W	T8= T8 TUBE	EX= EXTERNAL DRIVER	4= 4-FT	35= 3500K 40= 4000K 50= 5000K	DR1L13= EXTERNAL DRIVER FOR 1-LAMP DR2L13= EXTERNAL DRIVER FOR 2-LAMP DR3L13= EXTERNAL DRIVER FOR 3 LAMP DR4L13= EXTERNAL DRIVER FOR 4-LAMP

STOCKED ITEMS | 2ft - 7.5W

ORDER CODE	MODEL NUMBER	DLC PRODUCT ID	PRODUCT DESCRIPTION
3500K			
105146	L7.5T8EX235DR1L7.5		7.5W T8 2-FT LED (UL-C) 3500K (1 LAMP) EXTERNAL DRIVER
105072	L7.5T8EX235DR2L7.5	PLGQR4PSW30Q	7.5W T8 2-FT LED (UL-C) 3500K (2 LAMPS) EXTERNAL DRIVER
105149	L7.5T8EX235DR3L7.5	PLXUVVUTW0DV	7.5W T8 2-FT LED (UL-C) 3500K (3 LAMPS) EXTERNAL DRIVER
105075	L7.5T8EX235DR4L7.5	PLZOQ5X1T6G8	7.5W T8 2-FT LED (UL-C) 3500K (4 LAMPS) EXTERNAL DRIVER
4000K			
105147	L7.5T8EX240DR1L7.5		7.5W T8 2-FT LED (UL-C) 4000K (1 LAMP) EXTERNAL DRIVER
105073	L7.5T8EX240DR2L7.5	PL8PBOJBU8KQ	7.5W T8 2-FT LED (UL-C) 4000K (2 LAMPS) EXTERNAL DRIVER
105150	L7.5T8EX240DR3L7.5	PLVRM8ZXABI7	7.5W T8 2-FT LED (UL-C) 4000K (3 LAMPS) EXTERNAL DRIVER
105076	L7.5T8EX240DR4L7.5	PLPZA562Z1OX	7.5W T8 2-FT LED (UL-C) 4000K (4 LAMPS) EXTERNAL DRIVER
5000K			
105148	L7.5T8EX250DR1L7.5		7.5W T8 2-FT LED (UL-C) 5000K (1 LAMP) EXTERNAL DRIVER
105074	L7.5T8EX250DR2L7.5	PL6TDE9G0LFP	7.5W T8 2-FT LED (UL-C) 5000K (2 LAMPS) EXTERNAL DRIVER
105151	L7.5T8EX250DR3L7.5	PLS90N4CQOSL	7.5W T8 2-FT LED (UL-C) 5000K (3 LAMPS) EXTERNAL DRIVER
105077	L7.5T8EX250DR4L7.5	PLBRL797KB55	7.5W T8 2-FT LED (UL-C) 5000K (4 LAMPS) EXTERNAL DRIVER

STOCKED ITEMS | 3ft - 11.5W

ORDER CODE	MODEL NUMBER	DLC PRODUCT ID	PRODUCT DESCRIPTION
3500K			
105152	L11.5T8EX335DR1L11.5		11.5W T8 3-FT LED (UL-C) 3500K (1 LAMP) EXTERNAL DRIVER
105078	L11.5T8EX335DR2L11.5	PLMBE7JYT1GG	11.5W T8 3-FT LED (UL-C) 3500K (2 LAMPS) EXTERNAL DRIVER
105155	L11.5T8EX335DR3L11.5		11.5W T8 3-FT LED (UL-C) 3500K (3 LAMPS) EXTERNAL DRIVER
105081	L11.5T8EX335DR4L11.5		11.5W T8 3-FT LED (UL-C) 3500K (4 LAMPS) EXTERNAL DRIVER
4000K			
105153	L11.5T8EX340DR1L11.5		11.5W T8 3-FT LED (UL-C) 4000K (1 LAMP) EXTERNAL DRIVER
105079	L11.5T8EX340DR2L11.5	PLKMWSAOXZMR	11.5W T8 3-FT LED (UL-C) 4000K (2 LAMPS) EXTERNAL DRIVER
105156	L11.5T8EX340DR3L11.5		11.5W T8 3-FT LED (UL-C) 4000K (3 LAMPS) EXTERNAL DRIVER
105082	L11.5T8EX340DR4L11.5		11.5W T8 3-FT LED (UL-C) 4000K (4 LAMPS) EXTERNAL DRIVER
5000K			
105154	L11.5T8EX350DR1L11.5		11.5W T8 3-FT LED (UL-C) 5000K (1 LAMP) EXTERNAL DRIVER
105080	L11.5T8EX350DR2L11.5	PLZEPSB907JS	11.5W T8 3-FT LED (UL-C) 5000K (2 LAMPS) EXTERNAL DRIVER
105157	L11.5T8EX350DR3L11.5		11.5W T8 3-FT LED (UL-C) 5000K (3 LAMPS) EXTERNAL DRIVER
105083	L11.5T8EX350DR4L11.5		11.5W T8 3-FT LED (UL-C) 5000K (4 LAMPS) EXTERNAL DRIVER

STOCKED ITEMS | 4ft - 11.5W

ORDER CODE	MODEL NUMBER	DLC PRODUCT ID	PRODUCT DESCRIPTION
3500K			
105158	L11.5T8EX435DR1L11.5		11.5W T8 4-FT LED (UL-C) 3500K (1 LAMP) EXTERNAL DRIVER
105084	L11.5T8EX435DR2L11.5	PLNODNVWLJ9R	11.5W T8 4-FT LED (UL-C) 3500K (2 LAMPS) EXTERNAL DRIVER
105161	L11.5T8EX435DR3L11.5		11.5W T8 4-FT LED (UL-C) 3500K (3 LAMPS) EXTERNAL DRIVER
105087	L11.5T8EX435DR4L11.5	PLSRFPY0XOXU	11.5W T8 4-FT LED (UL-C) 3500K (4 LAMPS) EXTERNAL DRIVER
4000K			
105159	L11.5T8EX440DR1L11.5		11.5W T8 4-FT LED (UL-C) 4000K (1 LAMP) EXTERNAL DRIVER
105085	L11.5T8EX440DR2L11.5	PL6LYO0682JD	11.5W T8 4-FT LED (UL-C) 4000K (2 LAMPS) EXTERNAL DRIVER
105162	L11.5T8EX440DR3L11.5		11.5W T8 4-FT LED (UL-C) 4000K (3 LAMPS) EXTERNAL DRIVER
105088	L11.5T8EX440DR4L11.5	PL8828N9DF32	11.5W T8 4-FT LED (UL-C) 4000K (4 LAMPS) EXTERNAL DRIVER
5000K			
105160	L11.5T8EX450DR1L11.5		11.5W T8 4-FT LED (UL-C) 5000K (1 LAMP) EXTERNAL DRIVER
105086	L11.5T8EX450DR2L11.5	PLV5AWTGLZL0	11.5W T8 4-FT LED (UL-C) 5000K (2 LAMPS) EXTERNAL DRIVER
105163	L11.5T8EX450DR3L11.5		11.5W T8 4-FT LED (UL-C) 5000K (3 LAMPS) EXTERNAL DRIVER
105089	L11.5T8EX450DR4L11.5	PLEP8L8BCK6Z	11.5W T8 4-FT LED (UL-C) 5000K (4 LAMPS) EXTERNAL DRIVER

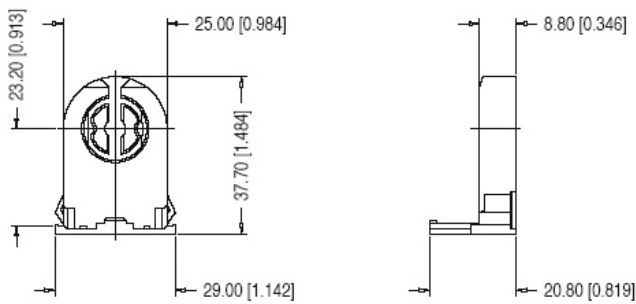
STOCKED ITEMS | 4ft - 13W

ORDER CODE	MODEL NUMBER	DLC PRODUCT ID	PRODUCT DESCRIPTION
3500K			
105164	L13T8EX435DR1L13		13W T8 4-FT LED (UL-C) 3500K (1 LAMP) EXTERNAL DRIVER
105090	L13T8EX435DR2L13	PLJQ6877W7DS	13W T8 4-FT LED (UL-C) 3500K (2 LAMPS) EXTERNAL DRIVER
105167	L13T8EX435DR3L13		13W T8 4-FT LED (UL-C) 3500K (3 LAMPS) EXTERNAL DRIVER
105093	L13T8EX435DR4L13	PLRZFWP6Q74D	13W T8 4-FT LED (UL-C) 3500K (4 LAMPS) EXTERNAL DRIVER
4000K			
105165	L13T8EX440DR1L13		13W T8 4-FT LED (UL-C) 4000K (1 LAMP) EXTERNAL DRIVER
105091	L13T8EX440DR2L13	PLBNAZVTVJIO	13W T8 4-FT LED (UL-C) 4000K (2 LAMPS) EXTERNAL DRIVER
105168	L13T8EX440DR3L13		13W T8 4-FT LED (UL-C) 4000K (3 LAMPS) EXTERNAL DRIVER
105094	L13T8EX440DR4L13	PL9MCRE5C3O2	13W T8 4-FT LED (UL-C) 4000K (4 LAMPS) EXTERNAL DRIVER
5000K			
105166	L13T8EX450DR1L13		13W T8 4-FT LED (UL-C) 5000K (1 LAMP) EXTERNAL DRIVER
105092	L13T8EX450DR2L13	PLEI0030PRD8	13W T8 4-FT LED (UL-C) 5000K (2 LAMPS) EXTERNAL DRIVER
105169	L13T8EX450DR3L13		13W T8 4-FT LED (UL-C) 5000K (3 LAMPS) EXTERNAL DRIVER
105095	L13T8EX450DR4L13	PLWF1L0H93J7	13W T8 4-FT LED (UL-C) 5000K (4 LAMPS) EXTERNAL DRIVER

SPECIFICATIONS:

ITEM	SPECIFICATION	2 - FOOT - DETAILS	3 - FOOT - DETAILS	4 - FOOT - DETAILS	
GENERAL PERFORMANCE	Power Consumption (bare lamp)	7.5W	11.5W	11.5W	13W
	System Power	9W	13W	13W	15W
	Lumens Delivered	1150-1200 lm	1650-1700 lm	1750-1800 lm	2100-2200 lm
	Efficacy	128-133 lm/W	127-131 lm/W	135-138 lm/W	140-147lm/w
	CRI	≥80			
	Beam Angle	160°			
	Color Temperature (CCT)	3500K, 4000K & 5000K			
	Lumen Maintenance (L70)	50,000 Hours			
ELECTRICAL	Power Factor	≥ 0.90			
	Input Voltage	120V-277V, 50/60 Hz			
PHYSICAL	Operating Temperature	4°F to 113°F (-20 to 45°C)			
	Lens	Opal (Frosted)			
	Base	Medium Bi-Pin (G13)			
CERTIFICATION	Certification	cETLus, FCC			
	Material Usage	RoHS compliant; no mercury			
	Environment	Damp location			
	Warranty	5 Years			

LINE DRAWING DIMENSION



ACCESSORIES (SOLD SEPARATELY):

ORDER CODE	MODEL NUMBER	DESCRIPTION	ACCESSORIES IMAGE
73978	G13LPNS	G13 Low Profile Non-Shunted Lamp Holder	
103548	T8C-BBU	Battery Back Up for Type C Linears	