

LED STRIP

LS GEN 2 SERIES



PRODUCT DESCRIPTION:

The new 8' LED linear strip offering with its dome lens can be the illumination solution in commercial, industrial, retail and residential applications. Fixtures can be used in coves, parking facilities, shops, task and general area lighting where 8' solution is required.

FEATURES:

- 0-10V dimming standard
- CRI: >80
- Universal voltage 120-277V
- Operating Temperature: -4°F to 104°F
- Suitable for Damp locations
- Sensor and Emergency option
- Both 65W & 90W are low bay listed and 90W is also high bay listed

CONSTRUCTION:

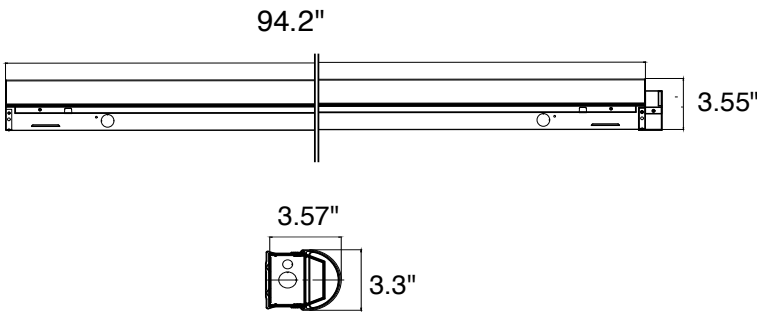
- Sheet metal housing
- Powder Coated
- One piece (PC) Polycarbonate lens
- Stainless steel mounting kits

WARRANTY:

10-year standard warranty with labor allowance* (further details available at www.maxlite.com/warranties)
 *Warranty Limitations: Product must be rated for the application per the Product Data Sheet (PDS); operated < 16 hrs; in ambient of -4°F to 104°F.
 *Up to \$25/unit; labor allowances of up to \$500/unit available for purchase – contact MaxLite representative for details.



DIMENSION:



FAMILY	SIZE	WATTAGE (NOMINAL)	VOLTAGE	CCT	BATTERY BACKUP	MOTION SENSOR
LS2= Linear Strip Gen 2	96= 8ft	65= 65W 90= 90W	U= 120-277V	40= 4000K 50= 5000K	(OMIT)= None EM= Battery Backup Unit	MS= Bi-Level Motion Sensor with Daylight Harvesting and Remote Control Capability

NOTES:

1. EM option will provide 800 lumens in Emergency mode for a minimum of 90 minutes
2. EM and EMMS are not DLC listed.

SPECIFICATIONS:



SPECIFICATIONS:		LS2-9665U-XX	LS2-9690U-XX
ITEM	SPECIFICATION	DETAILS	
GENERAL PERFORMANCE	Power Consumption (W)	65	90
	Lumens Delivered (lm)	8,580	11,995
	Efficacy (lm/W)	133	134
	CRI	≥80	
	Color Temperature (K)	4000K, 5000K	
	L70 Lumen maintenance (hours)	>100,000 hours at 40°C	
	Color Consistency	Proprietary binning for uniform color	
ELECTRICAL	Power Factor	>0.9	
	Input Voltage	120-277V	
PHYSICAL	Mounting	Fixture can be surface, pendant, or suspension mounted	
	Operating Temperature	-4° to 104° F	
	Humidity	10% of 80% RH, non-condensing	
QUALIFICATIONS	Qualifications	cULus, FCC	
	Material Usage	RoHS compliant; no mercury	
	Design Lights Consortium	DLC Premium*	
	Environment	Indoor/Damp	
	Warranty	10 Years	

*Not all product variations listed on this page are DLC qualified. Visit www.designlights.org/search to confirm qualification.
L70 Lumen maintenance calculated for LED chip at max Ambient of 104°F (40°C)
4000K Performance Data Values

ORDERING:

MODEL NUMBER	WATTAGE	CCT
LS2-9665U-40	65W	4000K
LS2-9665U-50	65W	5000K
LS2-9690U-40	90W	4000K
LS2-9690U-50	90W	5000K

*Please contact your MaxLite representative to order products that don't have order codes listed here.

ACCESSORIES			
ORDER CODE	MODEL NUMBER	DESCRIPTION	ACCESSORY IMAGE
74138	MLCHKLSU15	Cable Kit 15' Loop X Toggle Y 1 Pair	
108133	RMHYTHRC-05	Remote Control for MS Commissioning	

SENSOR					
SENSOR	TECHNOLOGY	DIMMING	DAYLIGHT HARVESTING	REMOTE CONTROL	QR CODE
MS	High Frequency	Bi-Level	Set Point	Yes	