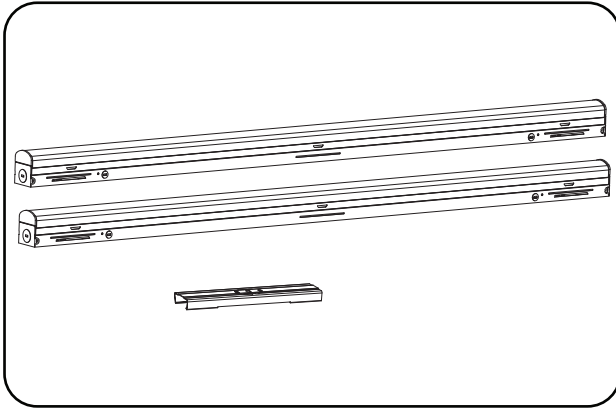


MaxLite® Linear Strip - LSE Series

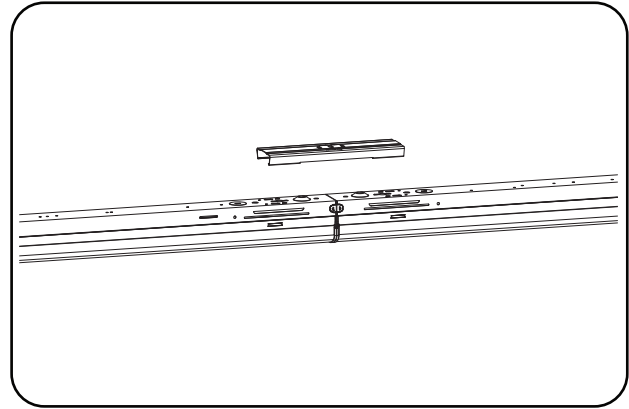


LINKABLE PLATE KIT INSTALLATION INSTRUCTIONS

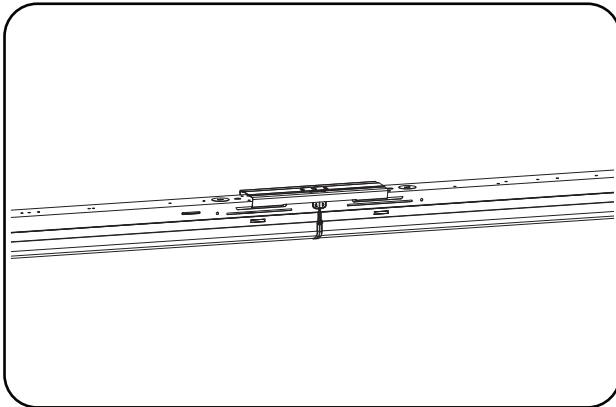
1. Take out the light fixture and accessories package from the box.



2. Install the connector to the end of the luminaires.



3. Installation is complete.

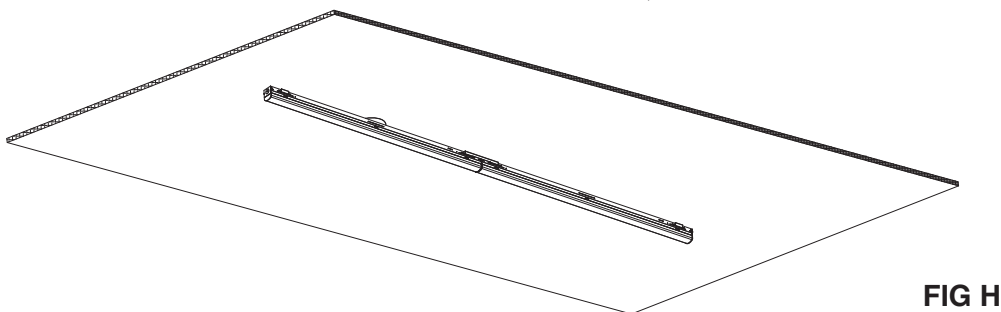
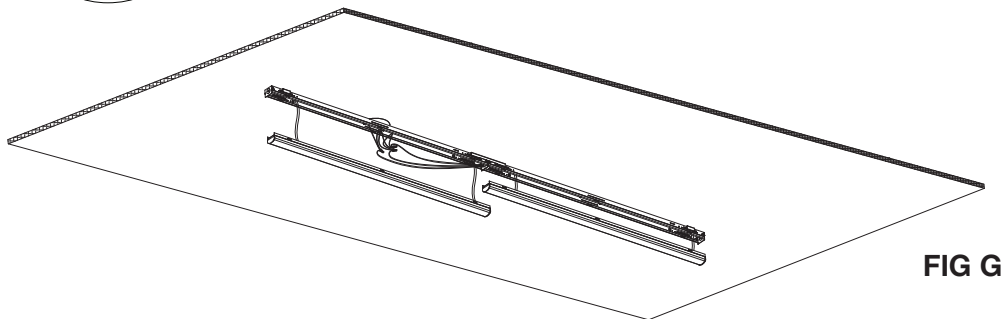
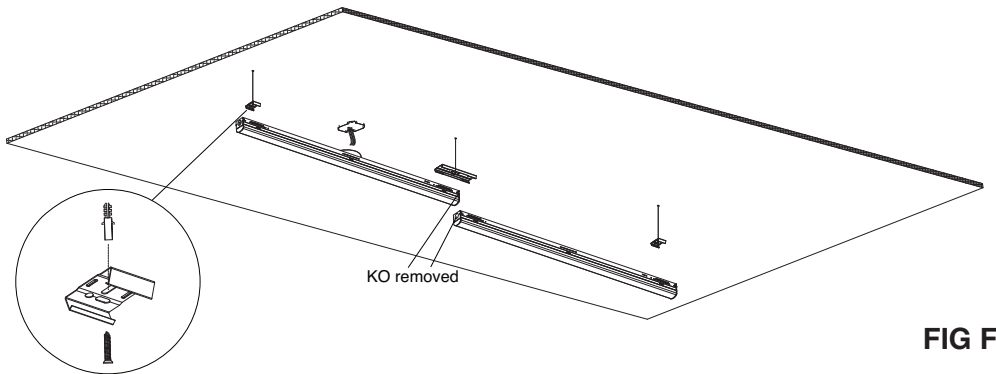
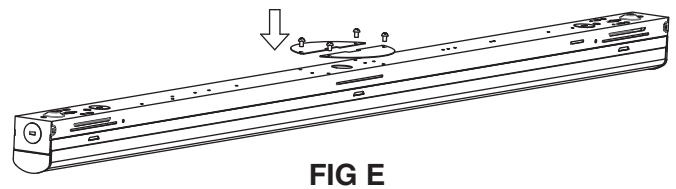
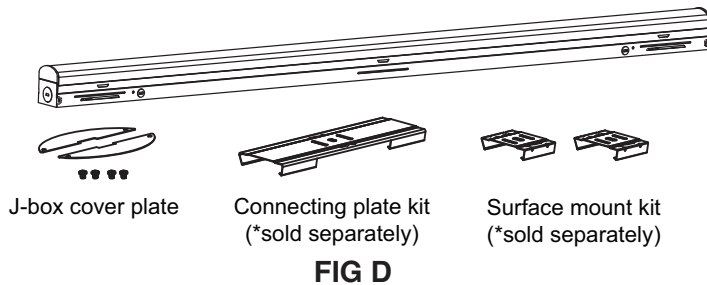


MaxLite® Linear Strip - LSE Series

Connecting Plate Kit - Surface Mount in a Row (Sold Separately)

Note: For this type of mounting The Connecting Plate kit (LSE-PLATEKIT) and Surface mount kits (LS3-SMK) needs to be purchased separately.

1. Take out the lighting fixture and accessories from the package box. Remove the KOs on end-cap before installation. **(Fig D)**.
2. Fix the J-box cover plate onto the back of the fixture with screws. **(Fig E)**.
3. Position on the ceiling, drill holes for the anchors, then secure the Connecting plate and Surface Mount clips with screws. **(Fig F)**.
4. Open the fixture body and make wirings refer to the Wiring diagram*. **(Fig G)**.
5. Reattach the luminous parts to the housing to complete the installation. **(Fig H)**.

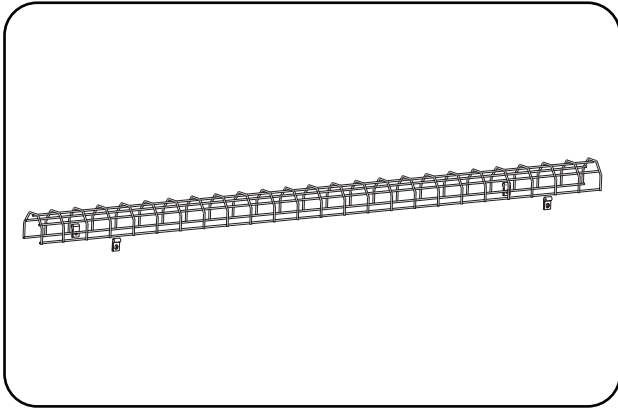




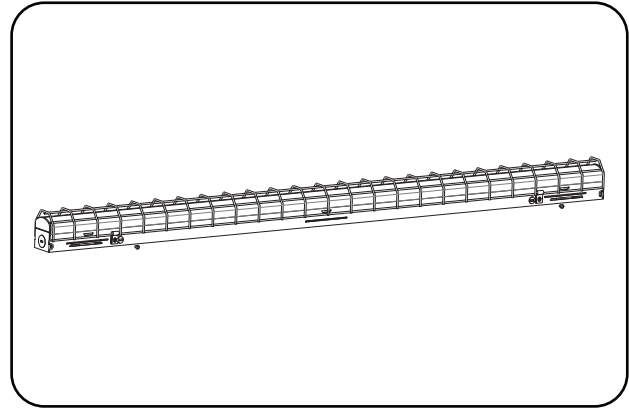
MaxLite® Linear Strip - LSE Series

WIRE GUARD MOUNTING INSTALLATION

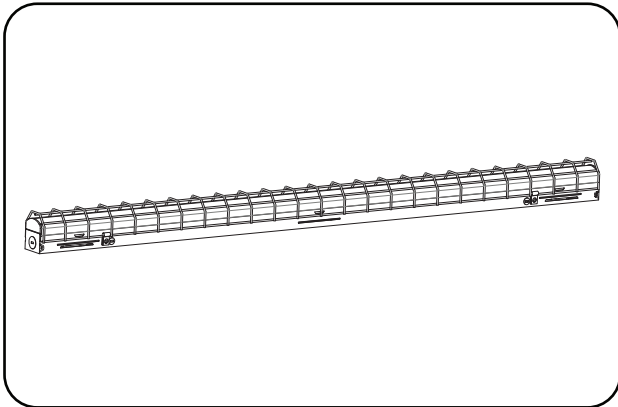
1. Insert the provided chips(4 pieces) onto the wiring guard



2. Fasten the chips by screws into the prepunched holes of fixture body.



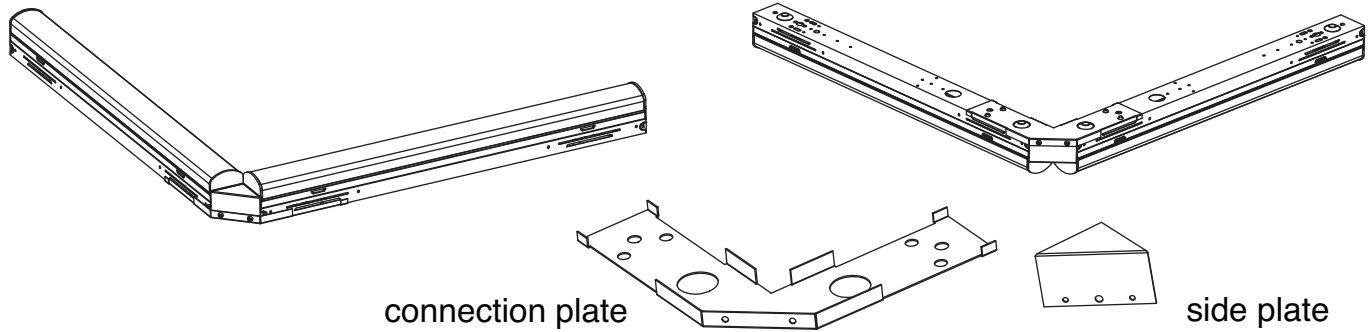
3. Installation is complete.



MaxLite® Linear Strip - LSE Series

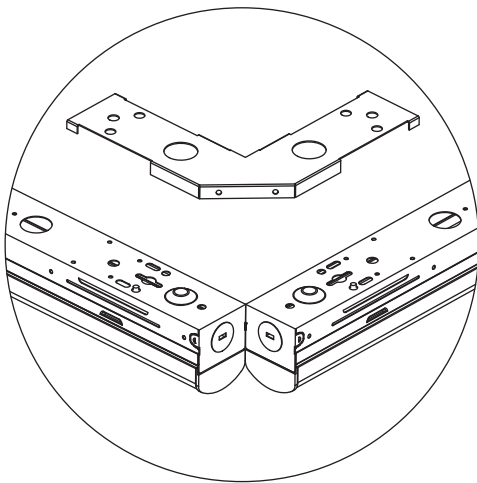
Corner Bracket (Sold Separately)

90 Degree Connection:

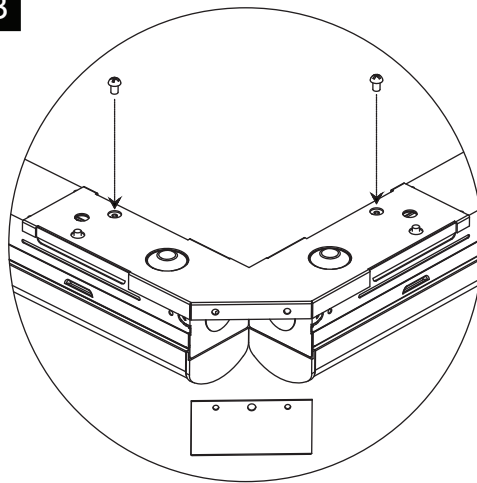


1. Attach the connection plate to the fixtures, align the holes on the plate with the ones on the bottom of the fixtures, then fix the plate with 2 screws. (Fig. A & Fig. B)

A

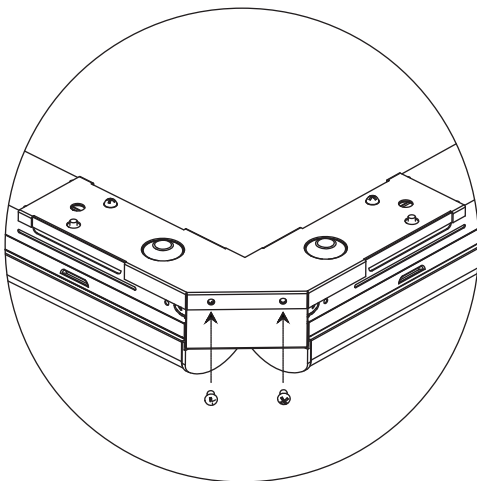


B

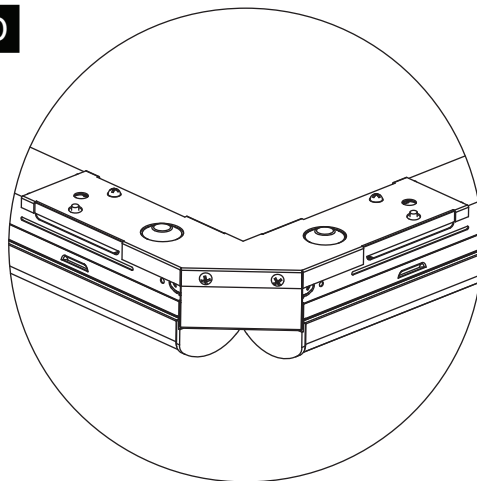


2. Install the side plate to cover the corner. (Fig. C & Fig. D)

C



D



MaxLite® Linear Strip - LSE Series



Warranty Information

MaxLite Inc. warrants its products for a minimum period of **FIVE (5)** years from the date of original purchase from MaxLite or its authorized distributor/dealer (the "Warranty Period"), as follows: If a Product fails to operate during the Warranty Period as a result of defects in materials or workmanship, MaxLite will, at its option, repair it, replace it with the same or like Product.

Please refer to Maxlite's website (at <http://maxlite.com/resources/warranties>) for the complete terms and conditions of our warranty.

Limitation of Liability

THE FOREGOING WARRANTY IS EXCLUSIVE, AND IS THE SOLE REMEDY FOR ANY AND ALL CLAIMS, WHETHER IN CONTRACT, IN TORT OR OTHERWISE ARISING FROM THE FAILURE OF PRODUCT AND IS IN LIEU OF ALL OTHER WARRANTIES, EXPRESS OR IMPLIED, INCLUDING ALL WARRANTIES OF MERCHANTABILITY OR FITNESS FOR A PARTICULAR PURPOSE, WHICH WARRANTIES ARE HEREBY EXPRESSLY DISCLAIMED TO THE EXTENT PERMITTED BY LAW AND, IN ANY EVENT, SHALL BE LIMITED TO THE WARRANTY PERIOD SPECIFIED ABOVE. THE LIABILITY OF MAXLITE SHALL BE LIMITED TO THE TERMS OF THE EXPRESS WARRANTY SET FORTH HEREIN. IN NO EVENT WILL MAXLITE BE LIABLE FOR ANY SPECIAL, INCIDENTAL OR CONSEQUENTIAL DAMAGES INCLUDING, WITHOUT LIMITATION, DAMAGES RESULTING FROM LOSS OF USE, PROFITS, BUSINESS OR GOODWILL, LABOR COSTS, REMOVAL OR INSTALLATION COSTS, DECREASE IN THE LIGHT OUTPUT OF THE LAMP, AND/OR DETERIORATION IN THE LAMP'S PERFORMANCE, WHETHER OR NOT MAXLITE HAS BEEN ADVISED OF THE POSSIBILITY THEREOF. UNDER NO CIRCUMSTANCES SHALL MAXLITE'S ENTIRE LIABILITY FOR A DEFECTIVE PRODUCT EXCEED THE PURCHASE PRICE OF THAT PRODUCT. WARRANTY SERVICES PROVIDED UNDER THESE TERMS AND CONDITIONS DO NOT ENSURE THE UNINTERRUPTED OPERATION OF PRODUCTS; MAXLITE SHALL NOT BE LIABLE FOR DAMAGES CAUSED BY ANY DELAYS INVOLVING WARRANTY SERVICE.

This Limited Warranty gives you specific legal rights and you may also have other rights that may vary from state to state. Because some states or jurisdictions do not allow the exclusion or limitation of liability for consequential or incidental damages, this limitation may not apply to you.