

MaxLite® Lamp Ready Linear Utility Strip



General Safety Information

- To reduce the risk of death, personal injury or property damage from fire, electric shock, falling parts, cuts/abrasions, and other hazards read all warnings and instructions included with and on the fixture box and all fixture labels.
- Before installing, servicing, or performing routine maintenance upon this equipment, follow these general precautions.
- Commercial installation, service and maintenance of luminaires should be performed by a qualified licensed electrician.
- For Residential installation: If you are unsure about the installation or maintenance of the luminaires, consult a qualified licensed electrician and check your local electrical code.
- DO NOT INSTALL DAMAGED PRODUCT!
- This fixture is intended to be connected to a properly installed and grounded UL listed junction box



*Pictures are for illustration purposes only.
Your model may vary.*

WARNINGS:

RISK OF ELECTRICAL SHOCK

- Turn off electrical power at fuse or circuit breaker box before wiring fixture to the power supply.
- Turn off the power when you perform any maintenance.
- Verify that supply voltage is correct by comparing it with the luminaire label information.
- Make all electrical and grounded connections in accordance with the National Electrical Code and any applicable local code requirements.
- All wiring connections should be capped with UL approved wire connectors.

CAUTION

RISK OF INJURY

- Wear gloves and safety glasses at all times when removing luminaire from carton, installing, servicing or performing maintenance.
- Avoid direct eye exposure to the light source while it is on.
- Account for small parts and destroy packing material, as these may be hazardous to children.

CAUTION

RISK OF FIRE

- Wear gloves and safety glasses at all times when removing luminaire from carton, installing, servicing or performing maintenance.
- Avoid direct eye exposure to the light source while it is on.
- Account for small parts and destroy packing material, as these may be hazardous to children.

MODEL

LSS-8U4XT8SE

INCLUDED IN BOX

- 1 – Screw Bag (2 pcs. Metal screw and 2 pcs. Plastic Dowels)
- 4 – Non Wired T8 Lampholders
- 4 – Wired T8 Lampholders
- 4 – Metal Clips

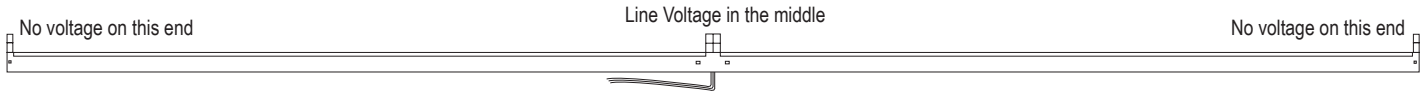


MaxLite® Lamp Ready Linear Utility Strip

Installation Instructions

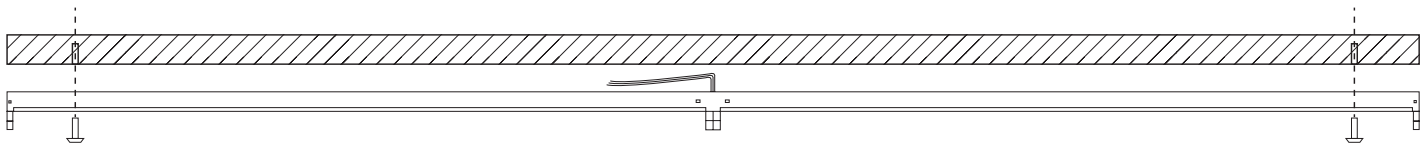
For installation of: LSS-8U4XT8SE fixtures. Caution: Disconnect connection box from branch circuit before installing

SOCKET INSTALLATION



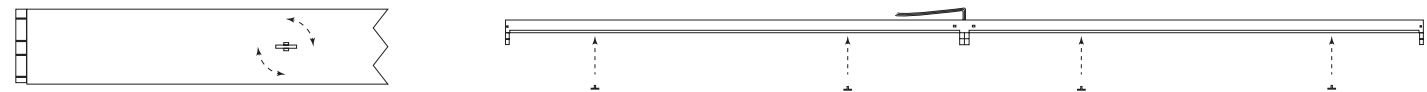
1. Install sockets without wiring into the two ends of the fixture (No Voltage). Sockets with BLACK and WHITE wiring are installed in the middle of the fixture. Feed wiring (BLACK, WHITE & GREEN) through the 7/8 knockout on the back middle of the fixture.

MOUNTING FIXTURE TO CEILING



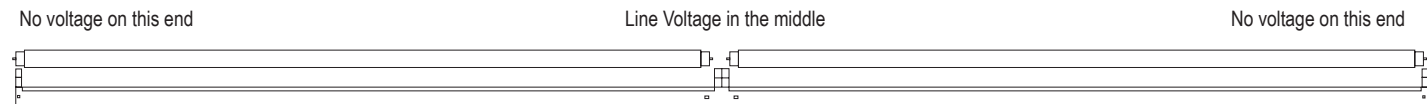
2. Mount fixture to ceiling. If using plastic inserts, hole diameter is 0.235". Distance between mounting holes is 70.0". Connect LINE and GROUND wires from middle sockets.

SECURE COVER TO FIXTURE



3. Secure the covers to the fixture housing by inserting and rotating the metal clips 90° in either direction.

INSTALLING LED T8 TUBES



4. Put the LED T8 tube into the fixture while making sure the AC end of the LED T8 Tube matches the AC in the middle of the fixture. When the LED tube is properly inserted, turn left or right by 90° to make sure the tube is secured in the fixture.

Note: Find the AC end of the LED tube before installing it into the fixture.

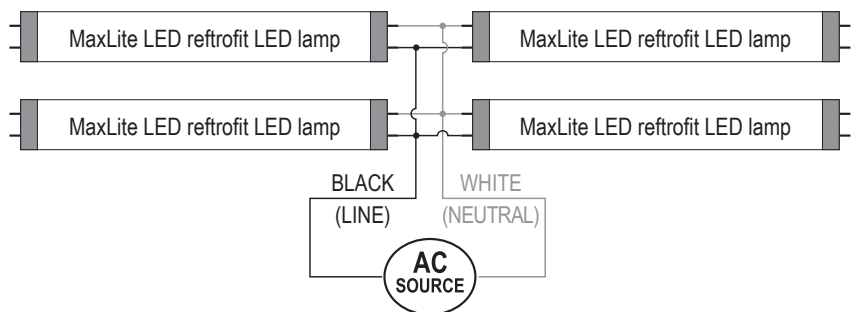
5. Assembly and installation complete.

General Wiring Diagrams

IMPORTANT WARNING:

These fixtures are for use only with lamps wired per the shown example. Serious risk of electrocution, or fire if non-compatible lamp is installed.

Caution: Replace only with MaxLite LxxT8SE4xx lamps. Visit maxlite.com for ordering information.



MaxLite® Lamp Ready Linear Utility Strip



Warranty Information

MaxLite Inc. warrants its products for a minimum period of **FIVE (5)** years from the date of original purchase from MaxLite or its authorized distributor/dealer (the “Warranty Period”), as follows: If a Product fails to operate during the Warranty Period as a result of defects in materials or workmanship, MaxLite will, at its option, repair it, replace it with the same or like Product.

Please refer to Maxlite’s website ([at http://maxlite.com/resources/warranties](http://maxlite.com/resources/warranties)) for the complete terms and conditions of our warranty.

Limitation of Liability

THE FOREGOING WARRANTY IS EXCLUSIVE, AND IS THE SOLE REMEDY FOR ANY AND ALL CLAIMS, WHETHER IN CONTRACT, IN TORT OR OTHERWISE ARISING FROM THE FAILURE OF PRODUCT AND IS IN LIEU OF ALL OTHER WARRANTIES, EXPRESS OR IMPLIED, INCLUDING ALL WARRANTIES OF MERCHANTABILITY OR FITNESS FOR A PARTICULAR PURPOSE, WHICH WARRANTIES ARE HEREBY EXPRESSLY DISCLAIMED TO THE EXTENT PERMITTED BY LAW AND, IN ANY EVENT, SHALL BE LIMITED TO THE WARRANTY PERIOD SPECIFIED ABOVE. THE LIABILITY OF MAXLITE SHALL BE LIMITED TO THE TERMS OF THE EXPRESS WARRANTY SET FORTH HEREIN. IN NO EVENT WILL MAXLITE BE LIABLE FOR ANY SPECIAL, INCIDENTAL OR CONSEQUENTIAL DAMAGES INCLUDING, WITHOUT LIMITATION, DAMAGES RESULTING FROM LOSS OF USE, PROFITS, BUSINESS OR GOODWILL, LABOR COSTS, REMOVAL OR INSTALLATION COSTS, DECREASE IN THE LIGHT OUTPUT OF THE LAMP, AND/OR DETERIORATION IN THE LAMP’S PERFORMANCE, WHETHER OR NOT MAXLITE HAS BEEN ADVISED OF THE POSSIBILITY THEREOF. UNDER NO CIRCUMSTANCES SHALL MAXLITE’S ENTIRE LIABILITY FOR A DEFECTIVE PRODUCT EXCEED THE PURCHASE PRICE OF THAT PRODUCT. WARRANTY SERVICES PROVIDED UNDER THESE TERMS AND CONDITIONS DO NOT ENSURE THE UNINTERRUPTED OPERATION OF PRODUCTS; MAXLITE SHALL NOT BE LIABLE FOR DAMAGES CAUSED BY ANY DELAYS INVOLVING WARRANTY SERVICE.

This Limited Warranty gives you specific legal rights and you may also have other rights that may vary from state to state. Because some states or jurisdictions do not allow the exclusion or limitation of liability for consequential or incidental damages, this limitation may not apply to you.