



PROJECT NAME: _____ CAT. #: _____
 NOTES: _____ FIXTURE SCHEDULE: _____

Lamp Ready Utility Wrap Series



Overview:

The MaxLite "Lamp Ready" Utility Wrap series provides Architects, Specifiers, and Buyers with a UL listed fixture engineered to operate the latest Single/Double ended LED T8 lamps supplied separately. Offering classic prismatic diffuser, with post painted finish, these fixtures come pre-wired for single ended operating LED lamps for contractor ready installation as new or remodel fixtures.

Single ended or Dual mode (Single/Double ended) T8 internal driver lamps (4') under 17W must be purchased separately from Maxlite for this product. Refer to the [Maxlite website](http://www.maxlite.com) for the latest offering.

Features:

- Lead wires are 7' for tandem wiring, eliminating back and end knockouts.
- Sockets are wired in series via non-shunted sockets
- Ceiling or wall mounted
- Option "MSO" on/off occupancy sensor available
- Cable kits available for suspended use

Construction:

- Engineered and UL rated for up to 22 Watts per set of lamp holders
- Damp & indoor rated use.
- Post fab painted housing and prismatic lens standard.
- Wiring IS 18 AWG solid to allow 120-277v operation where lamp specification allows
- Sockets rated to 660W , 600V, UL Listed

Ordering Information

ORDER CODE	MODEL NUMBER	MAX WATTS	DESCRIPTION	DIMENSIONS (L X W X H)
75304	LSU2XT8USE4806	44W	UTILITY WRAP LAMP READY, 2XT8 LED, 120-277V, SINGLE/DOUBLE ENDED	49.0" X 6.75" X 2.5"
14098811	LSU4XT8USE4812	88W	UTILITY WRAP LAMP READY, 4XT8 LED, 120-277V, SINGLE/DOUBLE ENDED	49.0" X 12.30" X 2.8"

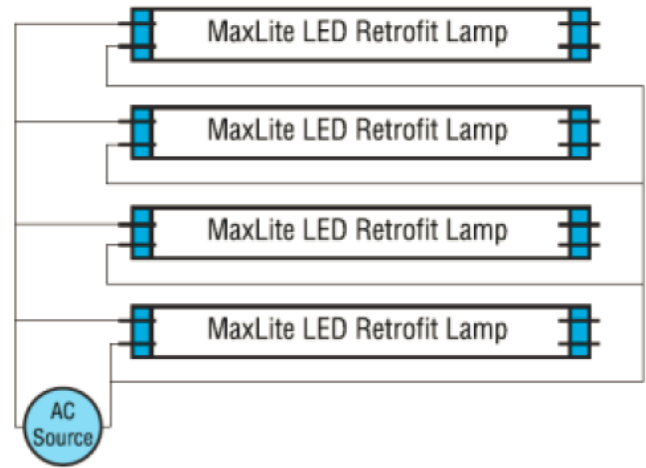
Accessories

ORDER CODE	MODEL NUMBER	DESCRIPTION
74626	MLCHKLSULB15	UTILITY WRAP LOW BAY KIT 15', 1 PAIR - NONPOWER FEED

Lamp Ready Utility Wrap Series

Specifications

	LAMP READY UTILITY WRAP
Input Voltage	Max. 22W per Lamp
Power Consumption	Per Lamp Specification
Weight	<4# EMPTY
Housing	22 Gauge Steel, paint after fab
Lens	PMMA acrylic Prismatic diffuser
Mounting	Surface mounting Key holes Standard. Optional suspension kit available.
Operating Temperature	Per lamp spec
Certification	UL for single ended LED lamps*
Material Usage	RoHS Compliant, No Mercury
Environment	Indoor/ Covered - Damp
Color	White
Warranty	5 Years warranty. Check maxlite.com/warranties for details



These fixtures are for use only with lamps wired per the above example. Serious risk of electrocution, or fire if non-compatible lamp is installed.

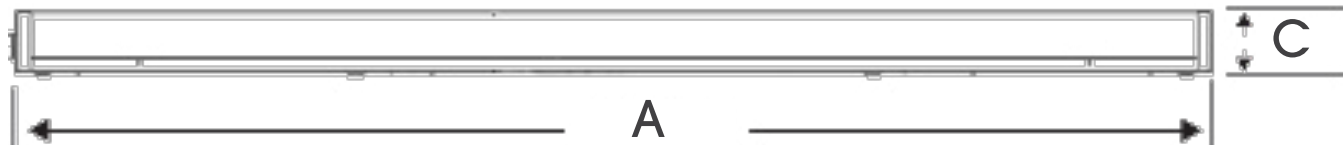
*See reference diagram adjacent. Must be followed.

Dimensions:

Top View



Side View



MODEL NUMBER	LENGTH (A)	WIDTH (B)	HEIGHT (C)
LSU2XT8USE4806	49.0"	6.75"	2.50"
LSU4XT8USE4812	49.0"	12.30"	2.50"