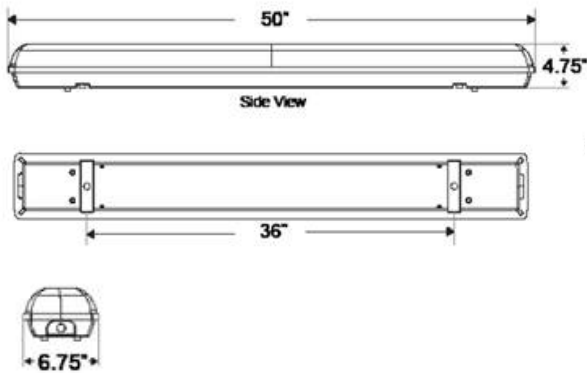


LED VAPOR TIGHT LINEAR FIXTURES LSV SERIES GEN 4



48" LED Vapor Tight
w/ Translucent Lens

LINE DRAWING:



PRODUCT DESCRIPTION:

The LSV Vapor Tight Fixture is a cost effective LED vapor tight fixture. The product is constructed with a full length polycarbonate lens, and a one piece polycarbonate body. Product applications include utility lighting, parking garage lighting, stairwell lighting, and low bay lighting

FEATURES:

- 120-277V Standard, 347V available
- 0-10V dimming standard
- CRI: ≥80
- L70: 100,000 hrs
- Ceiling, wall, or suspension mounted
- Optional motion sensors and battery backup options available
- Suitable for wet locations
- IP65 rated with hermetic sealing
- Assembled in USA available upon request
- NSF Certified

CONSTRUCTION:

- 2ft Product Dimensions: 26" x 6.75" x 4.75" (L x W x H)
- 4ft Product Dimensions: 50" x 6.75" x 4.75" (L x W x H)
- Non-corrosive polycarbonate (PC) housing
- Stainless Steel spec grade hasps and clips
- Back and end knockouts
- White finish standard

WARRANTY:

10-year standard warranty with labor allowance* (see terms at www.maxlite.com/warranties)

*Warranty Limitations: Product must be rated for application per the Product Data Sheet (PDS); operated ≤16 hrs; in ambient temperatures -4°F to 77°F.

*Up to \$25/unit; registration required. Additional coverage may be available for purchase; contact MaxLite.

*Excludes EM/MS versions; component warranty applies.

*If ambient temperatures fall outside the -4°F to 77°F range, product is warranted for 5 years according to the operating temperature range specified on the PDS.

MODEL SELECTION (Full list of order codes on pg. 2)

Typical order example: LSV4UW3540EMMSO

LS	V					
FAMILY	TYPE	SIZE	VOLTAGE	NOMINAL WATTAGE	CCT	OPTIONS
LS= Linear Series	V= Vapor Tight	4= 4 ft 2= 2 ft	U= 120-277V 3= 347V	25= 25W 35= 35W 45= 45W	40= 4000K 50= 5000K	(OMIT)= None EM= Battery Backup Unit MS= Bi-Level Motion Sensor MSO= On/Off Motion Sensor MSV= Bi-Level Motion Sensor w/ Remote Control Capability

NOTES:

1. In the event of a power failure, the battery backup unit switches to emergency mode (700 lumen output) and operates the fixture for a minimum of 90 minutes
2. 2' product available in 25W only
3. LSV4U2540 DLC Qualified at 120V only
4. 347V models not DLC Qualified
5. 2' models not NSF certified

ACCESSORIES		
ORDER CODE	MODEL NUMBER	DESCRIPTION
74139	MLCHKLSV15	Cable Kit 15' Loop x Loop 1 Pair
108133	RMHYTHRC-05	Remote Control for MSV Sensor Commissioning

COMPATIBLE DIMMERS:

MAKE	DIMMER MODEL
Lutron	NFTV0-10
Leviton	IP710 DL

ORDERING:




ORDER CODE	MODEL NUMBER	SIZE	WATTAGE	CCT
14099611	LSV2U2540	2 ft	25	4000K
14099612	LSV2U2550			5000K
14099613	LSV4U2540	4 ft	25	4000K
14099614	LSV4U2550			5000K
14099615	LSV4U3540		35	4000K
14099616	LSV4U3550			5000K
14099617	LSV4U4540		45	4000K
14099618	LSV4U4550			5000K

*Please contact your MaxLite representative to order products that don't have order codes listed here.

SPECIFICATIONS:

		LSV2U2540	LSV2U2550	LSV4U2540	LSV4U2550	LSV4U3540	LSV4U3550	LSV4U4540	LSV4U4550
ITEM	SPECIFICATION	DETAILS							
GENERAL PERFORMANCE	Power Consumption (W)	22.7	22.8	23.4	23.4	34.2	33.6	45.2	44.7
	Lumens Delivered (lm)	3,039	3,003	3,216	3,221	4,714	4,654	6,249	6,217
	Efficacy (lm/W)	134	132	137	138	138	138	138	139
	CRI	≥80							
	Color Temperature (K)	4000K, 5000K							
	L70 Lifetime (hours)	100,000							
	Color Consistency	Proprietary binning for uniform color							
ELECTRICAL	Power Factor	0.9							
	Input Voltage	120-277V, 347V (optional SDT)							
PHYSICAL	Weight	7.5lbs							
	Lens	Translucent							
	Mounting	Surface Mounting, Suspended Mounting							
	Operating Temperature	-40°C to 40°C							
	Humidity	20-85% RH, non-condensing							
CERTIFICATION	Certification	cULus, FCC, NSF							
	Material Usage	RoHS compliant; no mercury							
	Environment	Indoor / Outdoor Covered - Wet, IP65							
	Warranty	10 year warranty*							
QUALIFICATION	DesignLight Consortium	DLC Premium							

SENSOR INFORMATION:

SENSOR	TECHNOLOGY	DIMMING	DAYLIGHT HARVESTING	REMOTE CONTROL	QR CODE
MS	PIR	BI-LEVEL	SET POINT	NO	
MSO	PIR	ON/OFF	SET POINT	NO	
MSV	HIGH FREQUENCY	BI-LEVEL	SET POINT	YES	

*For Motion sensor settings and information, please visit www.maxlite.com/controls