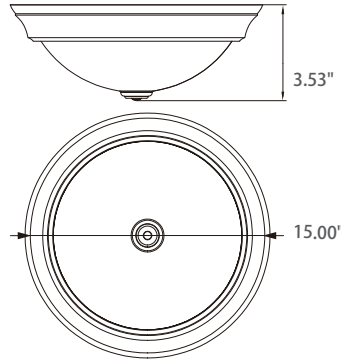


FLUSH MOUNT TRADITIONAL STYLE - LED INTEGRATED



PRODUCT DESCRIPTION:

LED Flush Mount Ceiling Fixtures provide exceptional performance in general lighting applications for residential, multi-unit residential, hotels, and commercial properties. The series is available in nickel and white finishes with a high transmission glass lens to complement virtually any décor.



DIMMING:

- 120V option available with 120V triac dimming (10%)

CONSTRUCTION:

- Die Form Steel housing
- Frosted Glass lens
- Powder coat finish

LISTINGS:

- ETL listed for Damp Locations, Indoor
- ENERGY STAR Certified

WARRANTY:

5-year standard warranty (further details available at www.maxlite.com/warranties) Product may be eligible for a warranty extension to 10 years, for an additional fee. Contact MaxLite for details.

ORDERING STRUCTURE

FAMILY	TYPE	SIZE	STYLE	FINISH	VOLTAGE	LED MODULE
ML2= Ceiling Flush Mounts	LA= LED integrated	L= Large	TR= Traditional	WH= White	[BLANK]= 120V, Triac dimming	830= 80 CRI, 3000K Additional CCTs available

ORDER CODE

ORDER CODE	MODEL NUMBER	ENERGY STAR ID
1409609	ML2LALTRWH24830	2357968

COMPATIBLE DIMMERS

DIMMER BRAND	MODELS
LUTRON	DVCL-153PR-WH, CTCL-153PDH-WH, TGCL-153PH-WH, MACL-153MH-WH, P-PKG1W-WH-R
LEVITON	R62-06674-POW, R12-06672-1LW, R50-IPL06-10M

SPECIFICATIONS	ML2LALTRWH24830
	DETAILS
Nominal Wattage (W)	24W
Source Lumens (lm)	1680
Equivalency	2 x 75W INC
Efficacy (lm/W)	70
CRI	≥80
Color Temperature (K)	3000K
L70 Lifetime (Hrs)	≥50,000 Hrs
Voltage	120V, Triac Dimming, 10%
Power Factor	≥0.90
Housing	Die Form Steel metal
Lens	Frosted Glass
Mounting	Ceiling
Operating Temperature	-4°F to 104°F
Listings	ENERGY STAR, cETLus, FCC
Environment	Damp locations, Indoor
Warranty	5 years