

## LANTERN ML4 SERIES - LAMP INCLUDED



Pagoda with Photocell



Ranch Style with Photocell



Ranch Style with Motion Sensor  
and dusk to dawn photocell



\*Excludes ML4E121PLBK27

### FEATURES:

- Includes a flicker free standard bulb (E26 base)

### CONTROLS:

- Available with dusk to dawn photocell or daylight harvesting motion sensors

### DIMMING

- 120V, Triac dimming (10%)

### CONSTRUCTION:

- Pagoda Style: Die cast Aluminum housing with frosted polycarbonate lens
- Ranch Style: Formed steel housing with high transmission glass lens
- Powder coat finish

### LISTINGS:

- cETLus/cULus listed, Outdoor wet locations
- ENERGY STAR certified (exclude item ML4LE109SPLBK2)
- Supports T24 Part 6 high efficacy lighting requirements

### WARRANTY:

5-year standard warranty (further details available at [www.maxlite.com/warranties](http://www.maxlite.com/warranties)) Product may be eligible for a warranty extension to 10 years, for an additional fee. Contact MaxLite for details.

### PAGODA STYLE - ORDERING STRUCTURE




FAMILY	TYPE	OUTPUT	STYLE	FINISH	CCT	OPTIONS
ML4= Lanterns	LE= Edison Base, E26	121= 1 x 11W	PL= Pagoda Style	BK= Black	27= 2700K	[BLANK]= Dusk to Dawn Photocell

### RANCH STYLE - ORDERING STRUCTURE

FAMILY	TYPE	OUTPUT	STYLE	FINISH	CCT	OPTIONS	GENERATION
ML4= Lanterns	LE= Edison Base, E26	109= 1 x 09W	SPL= Low Output, Ranch Style	BK= Black WH= White	27= 2700K	[BLANK]= Dusk to Dawn Photocell  MSC <sup>2</sup> = DHL Motion Sensor and dusk to dawn photocell	[BLANK]= Blank
		171= 1 x 15W	RL= Ranch Style				-V3 <sup>2</sup> = Gen 3

<sup>1</sup>Contact MaxLite for lead time.  
<sup>2</sup> Only used with the 15W models

## ORDER CODE

ORDER CODES	MODEL NUMBER	ENERGY STAR PRODUCT ID	PRODUCT IMAGE
101077	ML4E121PLBK27	2334204	
101309	ML4LE109SPLBK2	N/A	
103726	ML4LE171RLBK27-V3	2334207	
14098826	ML4LE171RLBK27MSC-V3	2334207	

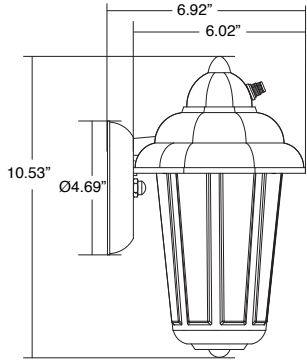
## DIMMERS

DIMMER BRAND	MODELS
LEVITON	6631, 603-6631-A, 6631-A, 6631-LA
LUTRON	AYCL-153P-WH, AYCL-153PH, S-603PH-WH, TGCL-153PH-WH

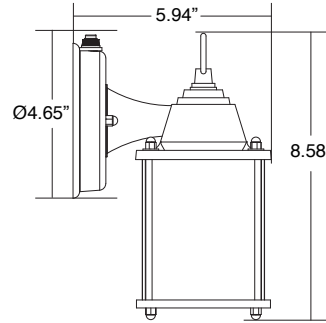
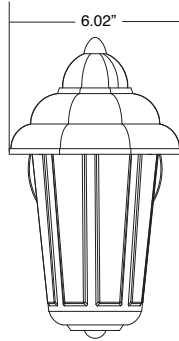
## SPECIFICATIONS

	ML4LE109SPL	ML4E121PL	ML4LE171RL
<b>SPECIFICATION</b>	<b>DETAILS</b>		
Nominal Wattage (W)	09	11	15
Source Lumens (lm)	800	1100	1600
Equivalency	60W INC	75W INC	100W INC
CRI	80	90	90
Efficacy (lm/W)	89	100	106
Color Temperature (K)	2700K		
L70 Lifetime (hrs)	≥25,000 Hrs		
Voltage	120V, Triac dimming ( 10%)		
Power Factor	≥0.90		
Housing	Formed Steel	Die Cast AL	Formed Steel
Lens	Glass	Polycarbonate	Glass
Mounting	Wall		
Operating Temperature	-4°F to 104°F		
Listings	cETLus, FCC	cULus, ENERGY STAR, FCC, JA8 Compliant bulb, Title 24	cETLus, ENERGY STAR, FCC, JA8 Compliant bulb, Title 24
Environment	Wet locations, Outdoor		
Warranty	5 Years		

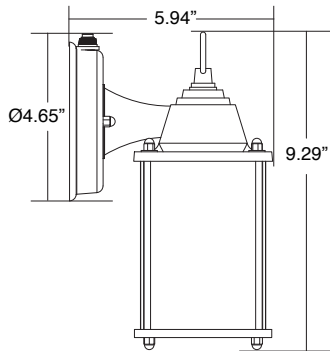
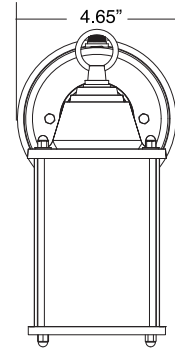
**PRODUCT DIMENSIONS**



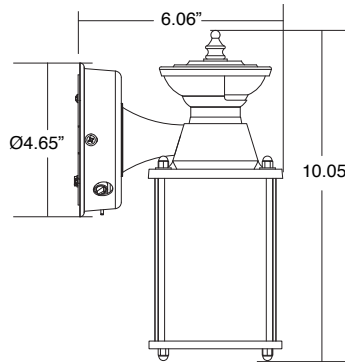
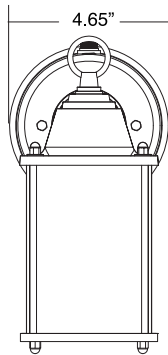
ML4E121PLBK27



ML4LE109SPLBK2



ML4LE171RLBK27



ML4LE171RLBK27MSC-V3

