

OUTDOOR LANTERN
ML4 SERIES - LED INTEGRATED



TRADITIONAL



MISSION



COACH



RANCH



PRODUCT DESCRIPTION:

MaxLite LED Lanterns provide long-lasting illumination and energy cost savings for multi-residential properties. LED integrated solutions are readily available and provide excellent and uniform light quality.

FEATURES:

- Dusk to Dawn photocell with a cover cap available

APPLICATIONS:

- Residential
- Hotel/Motel
- Property Management

WARRANTY:

5-year standard warranty* (further details available at www.maxlite.com/warranties)

*Product may be eligible for a warranty extension to 10 years, for an additional fee. Contact MaxLite for details.

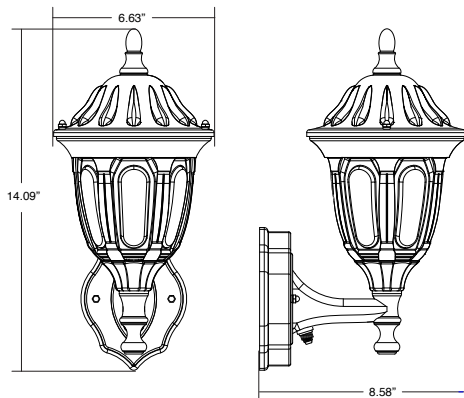
STOCKED ITEMS

ORDER CODE	MODEL NUMBER	ENERGY STAR ID	STYLE	WATTAGE	FINISH	CCT	CONTROLS
97868	ML4LS10MCLBK827	2276569	Coach	10W, 60 Inc. replacement	Black	80 CRI, 2700K	Dusk to dawn
96974	ML4LS12SRLBK827	2256426	Ranch	12W, 60 Inc. replacement			
101444	ML4LS14SOLBPC	2300466	Traditional	14W, 60 Inc. replacement			
1408707	ML4LASMSB14827PC	2298587	Mission				

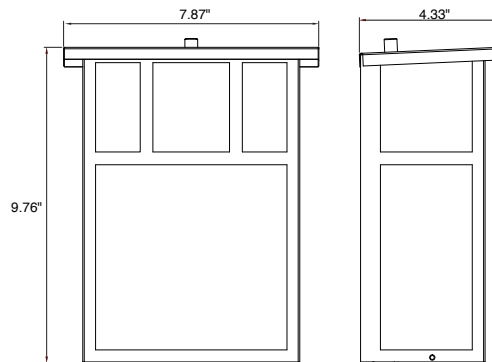
SPECIFICATIONS:

SPECIFICATIONS:		ML4LASMSB14827PC	ML4LS14SOLBPC	ML4LS10MCLBK827	ML4LS12SRLBK827
ITEM	SPECIFICATION	DETAILS			
GENERAL PERFORMANCE	Power Consumption (W)	14W	13.5W	10W	12W
	Delivered Lumens	815 lm	1,165 lm	500 lm	750 lm
	Efficacy (lm/W)	58 lm/W	86 lm/W	50 lm/W	62.5 lm/W
	L70 Lumen Maintenance	≥ 58,000 hours			
	Spacing Criteria	Contact MaxLite for Installation Criteria			
	Dimming	Triac Dimming	Non Dimmable		
ELECTRICAL	Input Voltage	120V, 60Hz	120V, 50-60 Hz	120V, 60 Hz	120V, 50-60 Hz
	Power Factor	≥0.9			
PHYSICAL	Housing	DieCast Al	Metal Casting	Aluminum casting	Die Cast Aluminum
	Lens	PC Frosted	PC	Crackle Glass	Plastic
	Finish	Black			
	Operating Temperature	-4°F to 104°F (-20°C - 40°C)		-4°F-113°F (-20°C-45°C)	
	Mounting	Cross Bar onto Junction Box			
CERTIFICATION	Environment	Suitable for Wet Locations		Suitable for damp locations, Class 2 power supply	
	Certification	Energy Star, ETL, FCC		Energy Star, UL, FCC	
	Warranty	5 year warranty*			

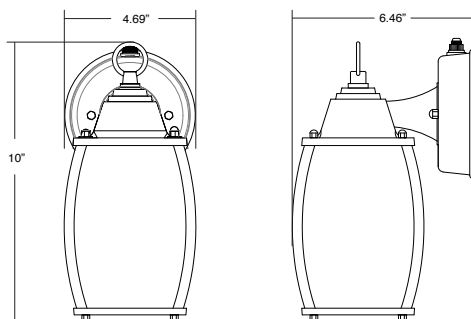
DIMENSIONS:



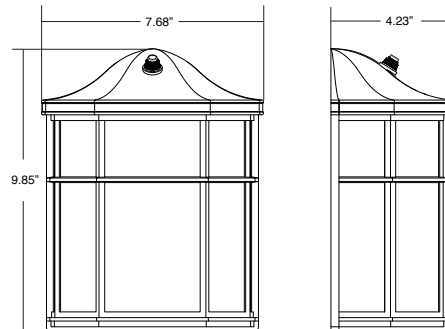
COACH
ML4LS10MCLBK827



MISSION
ML4LASMSB14827PC



RANCH
ML4LS12SRLBK827



TRADITIONAL
ML4LS14SOLBPC