



PROJECT NAME: _____ CAT. #: _____
 NOTES: _____ FIXTURE SCHEDULE: _____

FlatMax Gen 5 Controls Ready Flat Panel MLFP Enhanced Series

Product Description:

A seamless replacement for 1'x4', 2'x2' and 2'x4' fluorescent fixtures, MaxLite's next-generation LED Flat Panels are designed to lay in drop ceilings in offices, schools, and healthcare applications. The panels produce highly efficient, uniform illumination, and offer the versatility of field-selectable color temperatures and wattages to suit various application needs. The panels are fully dimmable, and may be combined with motion sensors for further energy savings. MaxLite panels deliver all the benefits of LED technology, including a long life with high lumen maintenance, reduced energy consumption and lower maintenance costs.

Features:

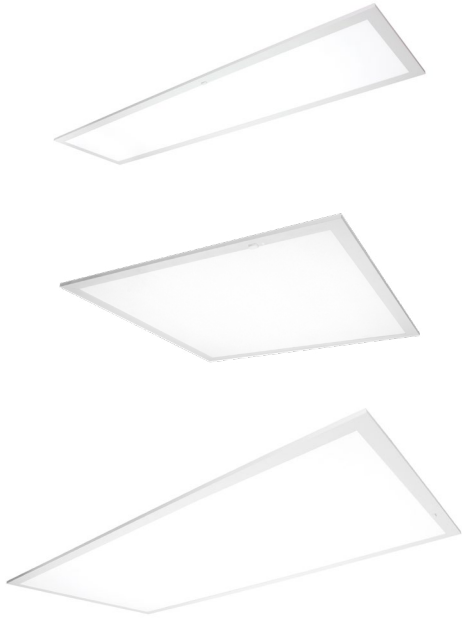
- IC Rated
- Field Wattage and CCT Selectable
- Controls Ready – can be paired with the new c-Max controls nodes
- Fixtures are set to lowest wattage and 4000K as default factory setting
- 0-10V Dimmable (10% to 100%)
- Voltage: 120-277V

Controls Ready:

MaxLite's new Controls Ready (CR) fixtures allows for quick and easy in-field installation (plug and play) of controls. Simply purchase any CR fixture and the required Controls Node and you're all set! See the accessory table for all controls options available for this fixture.

Controls Features:

- Multifunction and Energy Monitoring
- Daylight Sensor
- Occupancy Sensor
- Integral Sensor Receptacle
- High-End Trim
- Bluetooth
- Luminaire Level Lighting Control (LLLC)



Order Structure

FAMILY	SIZE	PANEL TYPE	WATTAGE SELECTABLE ¹	CCT SELECTABLE ¹	CONTROL READY	OPTIONS ^{2,3,4}	PACKAGING	SOURCING STRATEGY
MLFP= Flat Panel	14= 1'x4'	G5= Backlit	15W= 15W, 20W, 25W	CS= CCT Selectable (3500K, 4000K, 5000K)	CR= Control Ready	BLANK= None E2= Made to Order Emergency Back Up (15W) EM= Emergency Battery Back Up (8W)	BLANK= None /2P= 2 pack	BLANK= Non-TAA Country TA= TAA country
	22= 2'x2'		15W= 15W, 20W, 25W					
	24= 2'x4'		22W= 22W, 30W, 38W					
	SIZE		FIXED WATTAGE					
	22= 2'x2'		13=13W					
	24= 2'x4'	20=20W						

NOTES:
¹ Default setting for WCS models is set to lowest wattage and 4000K. Default setting for CS models is set to 4000K.
² Battery back up models are available only in Single Pack configuration. On EM mode, the fixture CCT will be set to 5000K
³ Check the Specification Table for lumen output for EM and E2 suffix.
⁴ SMK is not compatible with E2 suffix Battery Back up models



MLFP Flat Panel Gen 5 Control Ready Wattage and Color Selectable



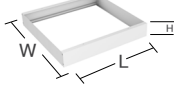
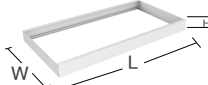
TAA Stocked items

ORDER CODE	MODEL NUMBER	DLC PRODUCT ID#	DLC CLASSIFICATION	DLC CATEGORY
111084	MLFP14G515WCSCRTA	S-1BKC7F	1x4 Luminaires for Ambient Lighting of Interior Commercial Spaces	Premium
111085	MLFP22G515WCSCRTA	S-38LH6S	2x2 Luminaires for Ambient Lighting of Interior Commercial Spaces	
111090	MLFP22G515WCSCR/2PTA	S-38LH6S	2x2 Luminaires for Ambient Lighting of Interior Commercial Spaces	
111086	MLFP24G522WCSCRTA	S-LK0HP1	2x4 Luminaires for Ambient Lighting of Interior Commercial Spaces	
		S-BTKWXZ	Low-Bay Luminaires for Commercial and Industrial Buildings	
111091	MLFP24G522WCSCR/2PTA	S-LK0HP1	2x4 Luminaires for Ambient Lighting of Interior Commercial Spaces	
		S-BTKWXZ	Low-Bay Luminaires for Commercial and Industrial Buildings	
111092	MLFP22G513CSCR/2PTA	S-8PSSHQ	2x2 Luminaires for Ambient Lighting of Interior Commercial Spaces	
111093	MLFP24G520CSCR/2PTA	S-T4182Z	2x4 Luminaires for Ambient Lighting of Interior Commercial Spaces	

NON-TAA Stocked items

ORDER CODE	MODEL NUMBER	DLC PRODUCT ID#	DLC CLASSIFICATION	DLC CATEGORY
111529	MLFP24G522WCSCR	S-LK0HP1	2x4 Luminaires for Ambient Lighting of Interior Commercial Spaces	Premium
		S-BTKWXZ	Low-Bay Luminaires for Commercial and Industrial Buildings	
111534	MLFP24G522WCSCR/2P	S-LK0HP1	2x4 Luminaires for Ambient Lighting of Interior Commercial Spaces	
		S-BTKWXZ	Low-Bay Luminaires for Commercial and Industrial Buildings	




Accessories (SOLD SEPARATELY)

ORDER CODE	MODEL NUMBER	DESCRIPTION	IMAGE
104817	ML14G4FK	Gen 5 1x4' Flat Panel Flange Kit	
104819	ML22G4FK	Gen 5 2x2' Flat Panel Flange Kit	
104820	ML24G4FK	Gen 5 2x4' Flat Panel Flange Kit	
104811	ML14G4SMK ¹	Gen 5 1'X4' Flat Panel Surface Mount Kit (47.87" L X 12.32" W X 3.7" H)	
104813	ML22G4SMK ¹	Gen 5 2'X2' Flat Panel Surface Mount Kit (23.85" L X 24.97" W X 3.7" H)	
104814	ML24G4SMK ¹	Gen 5 2'X4' Flat Panel Surface Mount Kit (47.87" L X 24.97" W X 3.7" H)	



MLFP Flat Panel Gen 5 Control Ready *Wattage and Color Selectable*

Accessories (SOLD SEPARATELY)

ORDER CODE	MODEL NUMBER	DESCRIPTION	IMAGE
104816	MLG4CHK	Gen 5 Cable Hanging Kit For 1'x4' & 2x2 Flat Panel (40" length)	
104848	ML24G4CHK	Gen 5 Cable Hanging Kit For 2'x4' Flat Panel - 6 Cables (40" length)	
108566	EBUUP17015N200B **	Emergency Inverter, 15W, 120-347 VAC, CEC Compliant, Field Installable, 0-50C Ambient, Lumens Delivered at field install BBU mode (lm):2100 lm - for 90 minutes, when fully charged	
104810	MLFP14G4-BBUBRACKET**	BBU Bracket Kit w/ Screws 1X4 for GEN 5 WCS Flat Panel	
104794	MLFPG4-BBUBRACKET**	BBU Bracket Kit w/ Screws 2X2, 2X4 or GEN 5 WCS Flat Panel	

¹ SMK is compatible with EM suffix Batter Back up models. SMK is not compatible with E2 suffix Battery Back up models

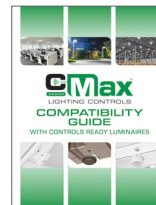
** For Field Install BBU option, purchase BBU model# EBUUP17015N200B along with the mounting bracket MLFP14G4-BBUBRACKET for 1x4, or MLFPG4-BBUBRACKET for 2x2/ 2x4. Lumens delivered at BBU mode varies based on wattage and CCT setting. Lumens Delivered at field install BBU mode (lm):2100 lm - for 90 minutes, when fully charged

** Field Install BBU is NOT compatible with Surface Mount Kit/ SMK



MLFP Flat Panel Gen 5 Control Ready *Wattage and Color Selectable*

c-Max Controls Microsites and Compatibility Guide



Product Compatibility Guide

Compatible Controls (SOLD SEPARATELY)+

The table below shows a small subset of control nodes from each tier that directly plug in with the fixture. Refer to individual microsites above for more accessories that could be added based on application requirements.

ORDER CODE	MODEL NUMBER & LINK TO DATA SHEET	DESCRIPTION	QR CODE TO DATA SHEET	IMAGE
c-Max Basic				
105567	CN-REMOTE	CONTROL NODE REMOTE CONTROL		
105890	CN-RTPSW¹	CONTROL NODE RECTANGULAR, PIR MOTION SENSOR/DAYLIGHT HARVESTING, WHITE		
c-Max Network				
105892	NN-RTW	NETWORK NODE RECTANGULAR, WHITE		
105893	NN-RTDHW	NETWORK NODE RECTANGULAR, DAYLIGHT HARVESTING, WHITE		
106059	NN-RTPSW	NETWORK NODE RECTANGULAR, PIR MOTION SENSOR/DAYLIGHT HARVESTING, WHITE		
c-Max EasyRF				
110961	RF-RTPSW	EasyRF NODE RECTANGULAR, PIR MOTION SENSOR/DAYLIGHT HARVESTING, WHITE		
110962	RF-REMOTE	EasyRF REMOTE CONTROL COMMISSIONING TOOL		
c-Max Network Partners - Silvair				
110431	NN-RTPSW-SL	SILVAIR NETWORK NODE RECTANGULAR, PIR MOTION SENSOR/DAYLIGHT HARVESTING, WHITE		
111148	NN-RTW-SL	SILVAIR NETWORK NODE RECTANGULAR, WHITE		
c-Max Network Partners - Casambi				
112428	NN-RTPSW-CA	CASAMBI NETWORK NODE RECTANGULAR, PIR MOTION SENSOR/DAYLIGHT HARVESTING, WHITE		
112429	NN-RTW-CA	CASAMBI NETWORK NODE RECTANGULAR, WHITE		

¹ Maxlite recommends CN-RTPSW (PIR) sensor for most applications with this fixture. If CN-RTMST(microwave) is required for an application, Maxlite recommends a pilot test to confirm there is no interference that causes unexpected responses from the microwave sensor. For additional options and c-Max network Partners components check Maxlite.com/cmox

* Note - This controls ready fixture is compatible with the c-Max platform supporting multiple tiers of controls. The table above shows a small subset of control nodes from each tier that directly plug in with the fixture. Refer to individual microsite above for more accessories that could be added based on application requirements



MLFP Flat Panel Gen 5 Control Ready *Wattage and Color Selectable*

Specifications

	MLFP14G515WCSCR		
Size	1'X4'		
Nominal Wattage (W)*	15W	20W	25W
Lumens Delivered (lm)*	2100	2800	3500
Nominal Efficacy (lm/W)	140		
Lumens Delivered at BBU mode (lm)**	1300lm with EM suffix. 2100lm with E2 suffix - for 90 minutes, when fully charged		
Color Temperature (K)*	3500K, 4000K, 5000K		
CRI	≥80		
Calculated L70 Lumen Maintenance	≥100,000 Hrs		
Dimming Technology	0-10V		
Dimming Range	10-100%		
Input Voltage	120-277V AC 50/60Hz		
Power Factor	≥ 0.90		
Housing	Steel		
Diffuser	Polystyrene Lens		
Operating Temperature	-4°F to 104°F (-20°C to 40°C), except BBU models. BBU models: 41°F to 104°F (5°C to 40°C)		
Humidity	10% to 85% RH non-condensing		
Certifications	ETLus listed, FCC, RoHs Complaint		
Qualifications	DLC Premium		
Environment	Suitable for Damp locations. IC Rated		
Warranty	10 Years. Check maxlite.com/warranties for details.		

* Default setting for WCS models is set to lowest wattage and 4000K
 ** Lumens delivered at BBU mode varies based on wattage and CCT setting



MLFP Flat Panel Gen 5 Control Ready

Wattage and Color Selectable

Specifications

	MLFP22G515WCSCR			MLFP22G513CSCR
Size	2'X2'			
Nominal Wattage (W)*	15W	20W	25W	13W
Lumens Delivered (lm)*	2100	2800	3500	1820
Nominal Efficacy (lm/W)	140			
Lumens Delivered at BBU mode (lm)**	1300lm with EM suffix. 2100lm with E2 suffix - for 90 minutes, when fully charged			
Color Temperature (K)*	3500K, 4000K, 5000K			
CRI	≥ 80			
Calculated L70 Lumen Maintenance	≥ 100,000 hours			
Dimming Technology	0-10V			
Dimming Range	10-100%			
Input Voltage	120-277V AC 50/60Hz			
Power Factor	≥ 0.90			
Housing	Steel			
Diffuser	Polystyrene Lens			
Operating Temperature	-4°F to 104°F (-20°C to 40°C), except BBU models. BBU models: 41°F to 104°F (5°C to 40°C)			
Humidity	10% to 85% RH non-condensing			
Certifications	ETLus listed, FCC, Rohs Compliant			
Qualifications	DLC Premium			
Environment	Suitable for Damp locations. IC Rated			
Warranty	10 Years. Check maxlite.com/warranties for details.			

* Default setting for WCS models is set to lowest wattage and 4000K. Default setting for CS models is set to 4000K.

** Lumens delivered at BBU mode varies based on wattage and CCT setting



MLFP Flat Panel Gen 5 Control Ready

Wattage and Color Selectable

Specifications

	MLFP24G522WCSCR			MLFP24G520CSCR
Size	2x4			
Nominal Wattage (W)*	22W	30W	38W	20W
Lumens Delivered (lm)*	3080	4200	5320	2800
Nominal Efficacy (lm/W)	140			
Lumens Delivered at BBU mode (lm)**	1300lm with EM suffix. 2100lm with E2 suffix - for 90 minutes, when fully charged			
Color Temperature (K)*	3500K, 4000K, 5000K			
CRI	≥ 80			
Calculated L70 Lumen Maintenance	≥ 100,000 hours			
Dimming Technology	0-10V			
Dimming Range	10-100%			
Input Voltage	120-277V AC 50/60Hz			
Power Factor	≥ 0.90			
Housing	Steel			
Diffuser	Polystyrene Lens			
Operating Temperature	-4°F to 104°F (-20°C to 40°C), except BBU models. BBU models: 41°F to 104°F (5°C to 40°C)			
Humidity	10% to 85% RH non-condensing			
Certifications	ETLus listed, FCC, RoHs Compliant			
Qualifications	DLC Premium			
Environment	Suitable for Damp locations. IC Rated			
Warranty	10 Years. Check maxlite.com/warranties for details.			

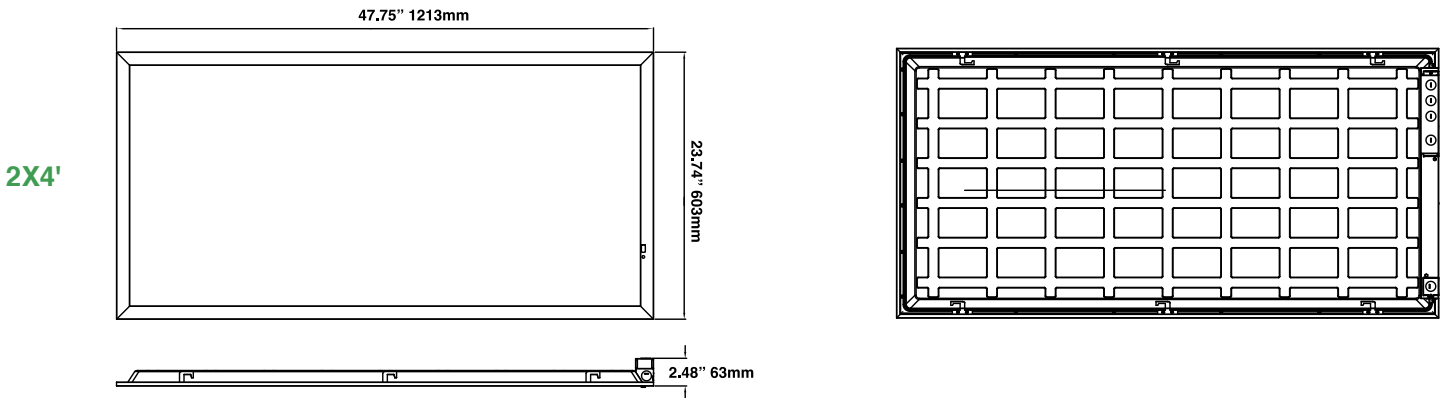
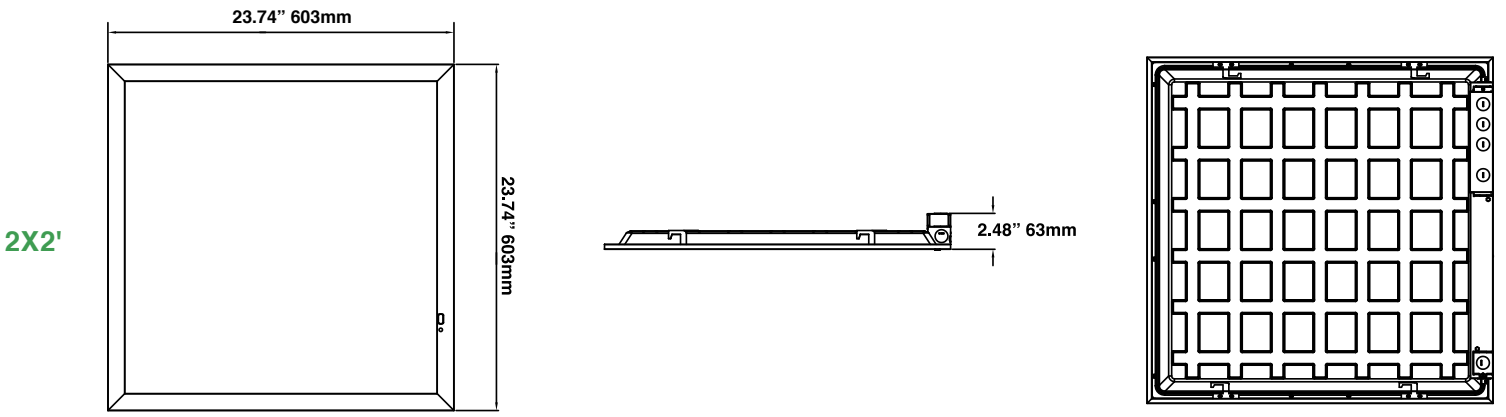
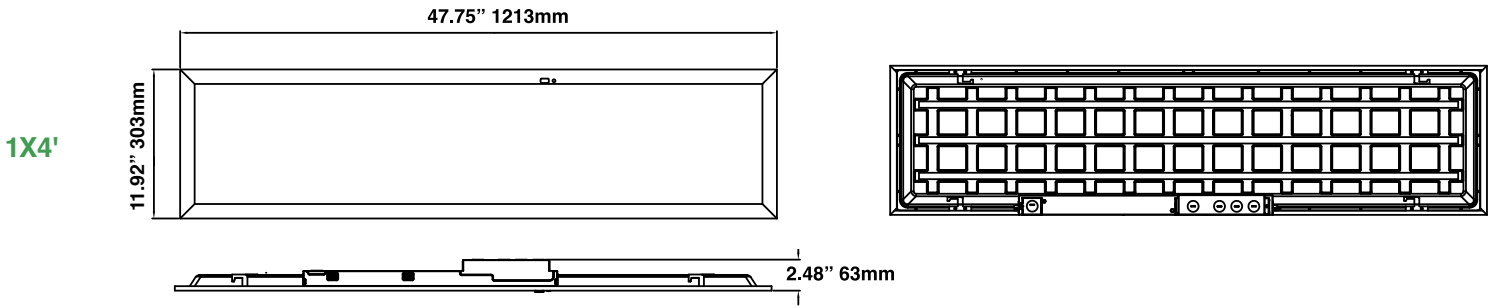
* Default setting for WCS models is set to lowest wattage and 4000K. Default setting for CS models is set to 4000K.

** Lumens delivered at BBU mode varies based on wattage and CCT setting

MLFP Flat Panel Gen 5 Control Ready Wattage and Color Selectable

Dimensions

PRODUCT	A (L)	B (W)	C (H)	H (EM ADDED)
MLFP14G515WCSCR	47.8 inch	11.9 inch	2.5 inch	3.1 inch
MLFP22G515WCSCR	23.7 inch	23.7 inch		
MLFP22G513CSCR				
MLFP24G522WCSCR	47.8 inch	23.7 inch		
MLFP24G520CSCR				



FCC Statement

This device complies with part 15 of the FCC Rules, Operation is subject to the following two conditions: (1) This device may not cause harmful interference, and (2) this device must accept any interference received, including interference that may cause undesired operation.