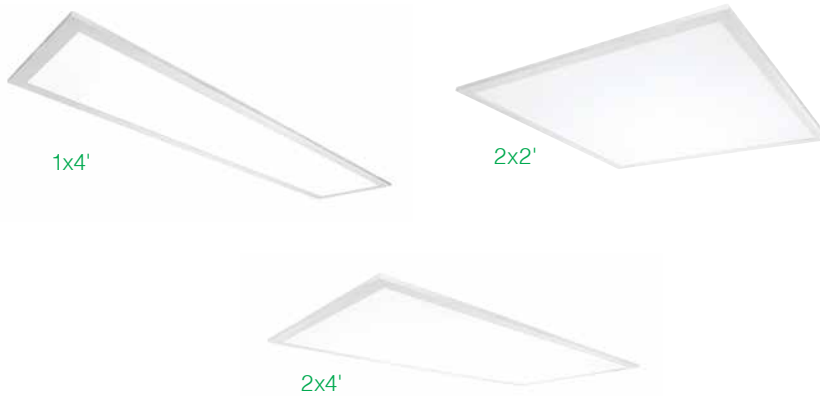


## LED FLAT PANELS

### MLFP CCT SELECTABLE SERIES



#### PRODUCT DESCRIPTION:

A seamless replacement for 1'x4', 2'x2' and 2'x4' fluorescent fixtures, MaxLite's next-generation LED Flat Panels with field selectable CCT technology are designed to lay in drop ceilings in offices, schools, and healthcare applications. The panels produce highly efficient, uniform illumination in any setting, and with the flick of a switch, installers can choose from 3500K, 4000K and 5000K color temperatures to suit various application needs. The panels are fully dimmable, and may be combined with motion sensors for further energy savings.

MaxLite panels deliver all the benefits of LED technology, including a long life with high lumen maintenance, reduced energy consumption and lower maintenance costs.



#### FEATURES:

- 0-10V dimmable
- 120-277 Voltage
- Power Factor: 0.9
- On EM mode, the fixture output a minimum of 700 lumens for 90 minutes, when fully charged
- On EM mode, CCT will default to 5000K

#### WARRANTY:

10-year standard warranty with labor allowance\* (see terms at [www.maxlite.com/warranties](http://www.maxlite.com/warranties))

\*Warranty Limitations: Product must be rated for application per the Product Data Sheet (PDS); operated ≤16 hrs; in ambient temperatures -4°F to 77°F.

\*Up to \$25/unit; registration required. Additional coverage may be available for purchase; contact MaxLite.

\*Excludes EM/MS versions; component warranty applies.

\*If ambient temperatures fall outside the -4°F to 77°F range, product is warranted for 5 years according to the operating temperature range specified on the PDS.

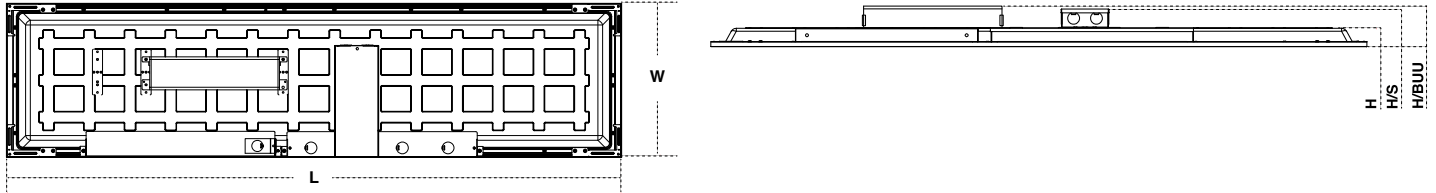
#### ORDER STRUCTURE

FAMILY	SIZE	WATTAGE	CCT	BATTERY BACKUP	MOTION SENSOR
MLFP= LED Flat Panel	14BL= 1'x4'	30= 30W	CS= CCT Selectable (3500K, 4000K, 5000K)  40= 4000K <sup>1</sup>	BLANK= None	BLANK= None
	22BL= 2'x2'	18= 18W 30= 30W 45= 45W		EM= Battery Backup Unit	MS= Motion Sensor
	24BL= 2'x4'	28= 28W 40= 40W 55= 55W			

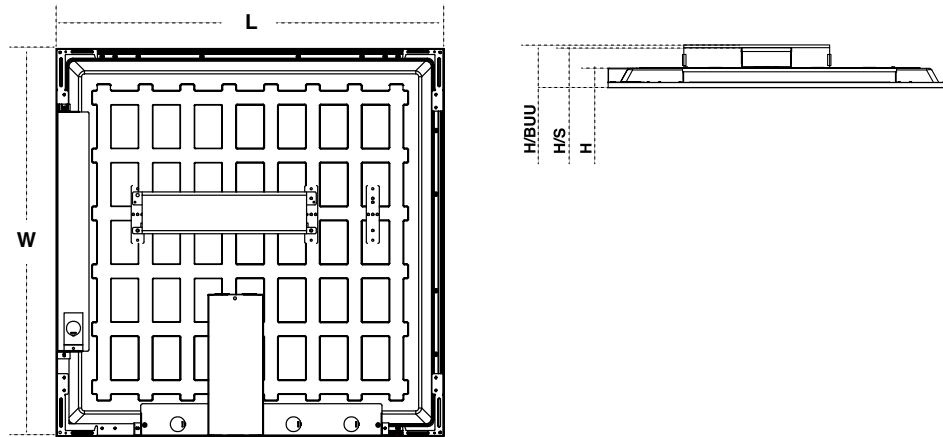
<sup>1</sup> Only 2x2 30W and 2x4 40W are in 4000K

**DIMENSIONS:**

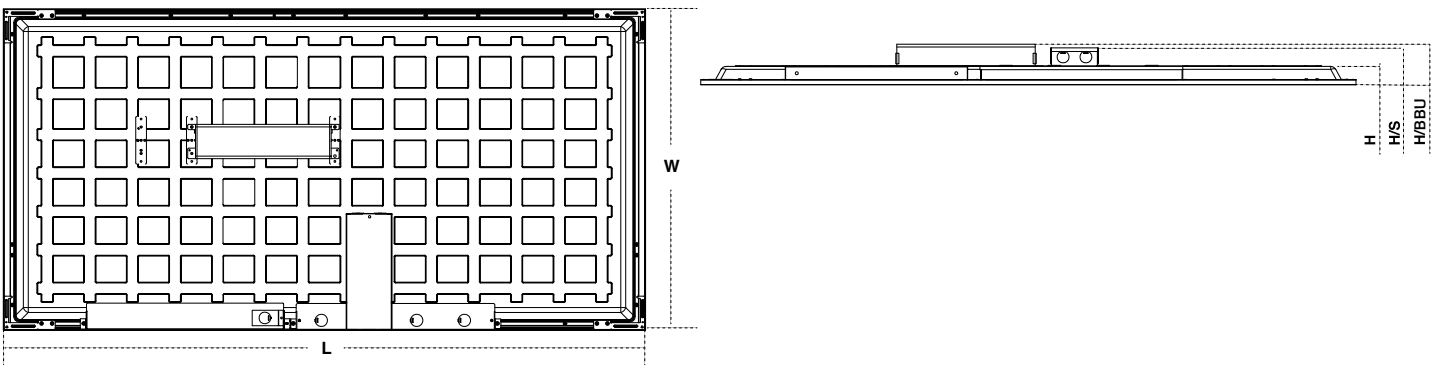
**1'x4':**



**2'x2':**



**2'x4':**



PRODUCT SIZE	L	W	H	H/S	H/BBU
1x4	47.7"	11.9"	1.4"	2.7"	2.9"
2x2	23.8"	23.8"	1.4"	2.7"	2.9"
2x4	47.7"	23.7"	1.4"	2.7"	2.9"

KEY	DESCRIPTION
H	Standard product
H/S	Product with sensor
H/BBU	Product with Emergency BBU


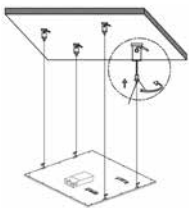

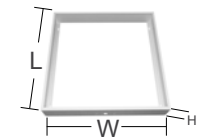
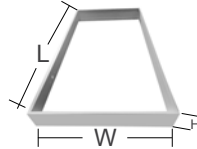




**STOCKED ITEMS**

SIZE	MODEL NUMBER	ORDER CODE	WATTAGE	CCT
1'x4'	MLFP14BL30CS	14102120	30W	CCT selectable (3500K/4000K/5000K) Default at 4000K
2'x2'	MLFP22BL18CS	14102121	18W	CCT selectable (3500K/4000K/5000K) Default at 4000K
	MLFP22BL3040	103777	30W	4000K
	MLFP22BL30CS	14102122	30W	CCT selectable (3500K/4000K/5000K) Default at 4000K
	MLFP22BL45CS	14102123	45W	CCT selectable (3500K/4000K/5000K) Default at 4000K
2'x4'	MLFP24BL28CS	14102124	28W	CCT selectable (3500K/4000K/5000K) Default at 4000K
	MLFP24BL4040	103778	40W	4000K
	MLFP24BL40CS	14102125	40W	CCT selectable (3500K/4000K/5000K) Default at 4000K
	MLFP24BL55CS	14102126	55W	CCT selectable (3500K/4000K/5000K) Default at 4000K

**SPECIFICATIONS**

		MLFP14 BL30CS	MLFP22 BL18CS	MLFP22 BL30CS	MLFP22 BL45CS	MLFP24 BL28CS	MLFP24 BL40CS	MLFP24 BL55CS	MLFP22 BL3040	MLFP24 BL4040
ITEM	SPECIFICATION	DETAILS								
<b>GENERAL PERFORMANCE</b>	Fixture Size	1'x4'	2'x2'	2'x2'	2'x2'	2'x4'	2'x4'	2'x4'	2'x2'	2'x4'
	Power Consumption (W)	30W	18W	30W	45W	28W	40W	55W	30W	40W
	Lumens Delivered (lm)	3,397 lm	2,095 lm	3,383 lm	5,075 lm	3,185 lm	4,506 lm	6,112 lm	3,300 lm	4,450 lm
	Efficacy	110 lm/W								
	CRI	≥80								
	Color Temperature (K)	CCT Selectable (3500K,4000K,5000K)							4000K	
	L70 Lumen Maintenance* (hours)	>100,000 Hrs.								
	Operating Humidity	20-85% RH, non-condensing								
<b>ELECTRICAL</b>	Power Factor	≥0.9								
	Input Voltage	120-277V								
	Dimming	Dimmable (0-10V)								
	Max. Ambient Temperature	-4°F - 104°F								
<b>QUALIFICATION</b>	Certification	cETLus - Damp Locations, FCC								
	Warranty	10 year warranty*								

**ACCESSORIES (SOLD SEPARATELY)**

MODEL NUMBER	ORDER CODE	DESCRIPTION	APPLICATION	ACCESSORY IMAGE
MLFPPK1X4-215	99968	1'x4' Flat Panel Flange Kit	All Wattages	
MLFPPK2X2-215	99969	2'x2' Flat Panel Flange Kit		
MLFPPK2X4-215	99970	2'x4' Flat Panel Flange Kit		
MLCHK2X2-215	102258	Cable Hanging Kit for 2x2 Edge Lit Flat Panel & Back Lit Flat Panel (4 Wires)		
MLCHK2X4-215	102259	Cable Hanging Kit for 2x4 Edge Lit Flat Panel & Back Lit Flat Panel (6 Wires)		
ML14BLSMK-215 <sup>1</sup>	104120	1X4 Back Lit Surface Mount Kit - Not Compatible with EM Models (47.99" L X 11.96" W X 2.4" H)		
ML22BLSMK-215 <sup>1</sup>	104121	2X2 Back Lit Surface Mount Kit - Not Compatible with EM Models (24.21" L X 24.06" W X 2.4" H)		
ML24BLSMK-215 <sup>1</sup>	104123	2X4 Back Lit Surface Mount Kit - Not Compatible with EM Models (47.99" L X 23.81" W X 2.4" H)		
RMHYTHRC-05	108133	Remote Control Programming HC403VRC/HC419VRC		

1. Surface mount kits are not compatible with MS or EM models.