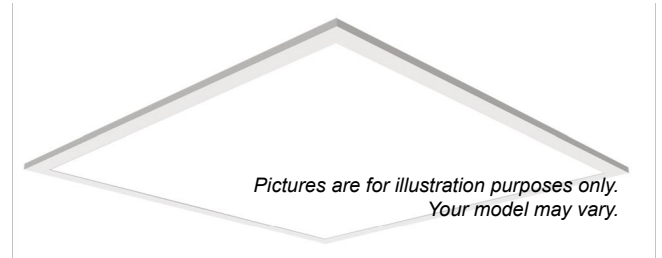


MaxLite® FlatMAX™ LED Flat Panels



General Safety Information

- To reduce the risk of death, personal injury or property damage from fire, electric shock, falling parts, cuts/abrasions, and other hazards read all warnings and instructions included with and on the fixture box and all fixture labels.
- Commercial installation, service and maintenance of luminaires should be performed by a qualified licensed electrician.
- DO NOT INSTALL DAMAGED PRODUCT!



WARNING:

RISK OF ELECTRICAL SHOCK

- Turn off the electrical power at fuse or circuit breaker box before wiring fixture to power supply.
- Turn off the power when you perform any maintenance.
- Verify that supply voltage is correct by comparing it with the luminaire label information.
- Make all electrical and grounded connections in accordance with the National Electrical Code and any applicable local code requirements.
- All wiring connections should be capped with UL approved wire connectors.

CAUTION:

RISK OF INJURY

- Wear gloves and safety glasses at all times when removing luminaire from carton, installing, servicing or performing maintenance.
- Avoid direct eye exposure to the light source while it is on.
- Account for small parts and destroy packing material, as these may be hazardous to children.
- Ensure fixtures are properly secured to T-bar grid, ceiling, using wire, or aircraft cable capable of supporting 100 lbs. minimum.

CAUTION:

RISK OF FIRE

- Keep combustible and other materials that can burn away from luminaire and lamp/lens.
- MIN 90°C SUPPLY CONDUCTORS.

Models:

MLFPxxG5 Series

Included in the box:

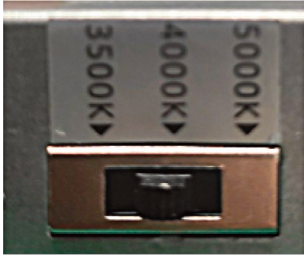
- LED Flat Panel Fixture
- Junction Box
- Instructions

MaxLite® FlatMAX™ LED Flat Panels

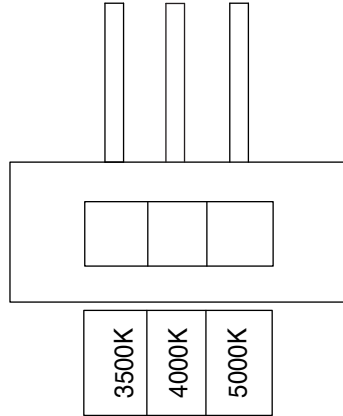


Setting Color Temperature

Note: Applicable to models ending in CS only. Models are set to lowest wattage and 4000K.



Color settings: Left, stands for 3500K; Middle, stands for 4000K; Right, stands for 5000K;

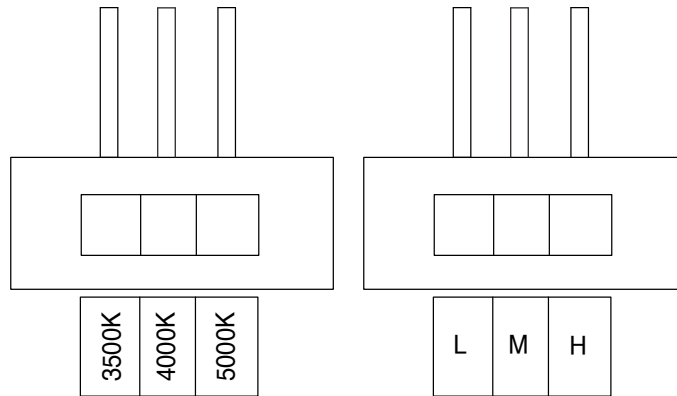


Setting Wattage

Note: Applicable to models ending in WCS. Models are set to lowest wattage and 4000K.

Color settings: Left, stands for 3500K; Middle, stands for 4000K; Right, stands for 5000K;

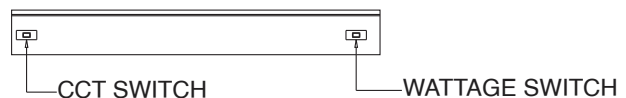
Wattage settings: Left, stands for Low; Middle, stands for Medium; Right, stands for High;



Adjust the color temperature and lumen output using the two DIP switches. Each DIP switch has 3 options (left, middle and right), corresponding to 3 color temperatures and wattages. Use these switches to set desired color temperature and lumen output combination.

Factory Settings: 4000K, lowest wattage based on fixture.

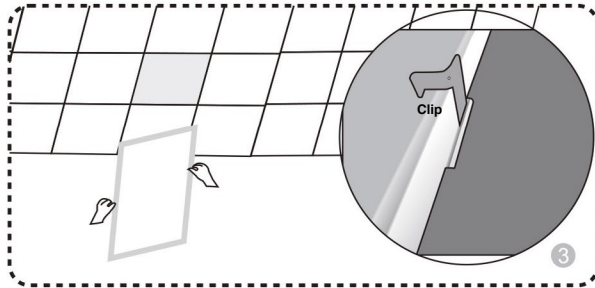
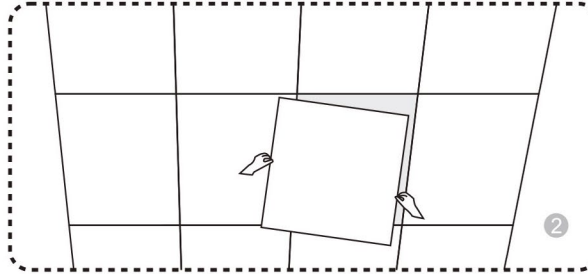
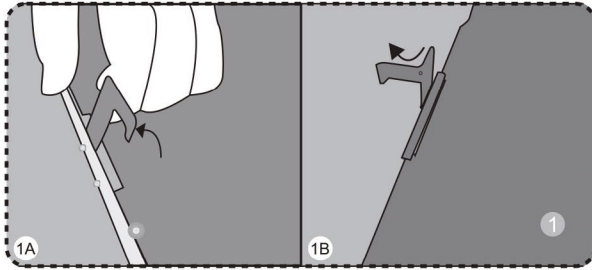
1. DIP switches are located on the back side of the fixture.
2. Select a wattage and color temperature by sliding switch left or right respectively to the desired value.



MaxLite® FlatMAX™ LED Flat Panels

Recessed Mount

! Clip is used for positioning (NOT for mounting)

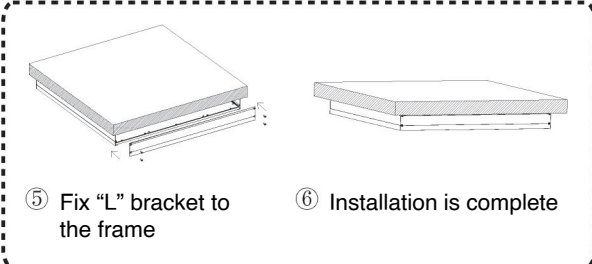
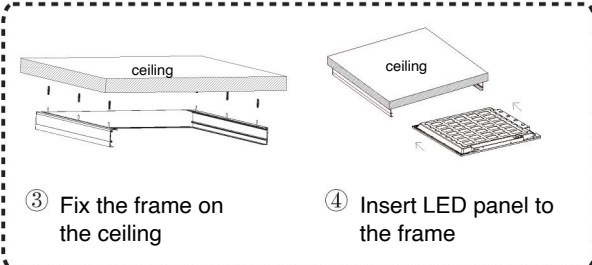
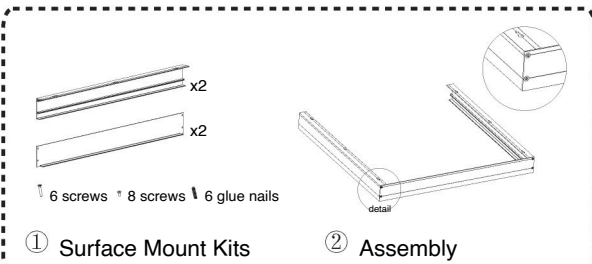


1. Bend hang buckle by 90°, making it vertical to the rear cover of the flat panel fixture. (**Fig. 1A**) Bend the top part of the hang buckle 90° (**Fig. 1B**) and repeat on all hang buckle's.
2. Turn off power and remove the ceiling panel. (**Fig. 2**)
3. Place the troffer into T-bar. Ensure the troffer is attached to the ceiling. (**Fig. 3**)

Surface Mount Installation

Surface mount kits sold separately:

ML14G4SMK • ML22G4SMK • ML24G4SMK



! Please make sure the frame is assembled well before fixed on ceiling

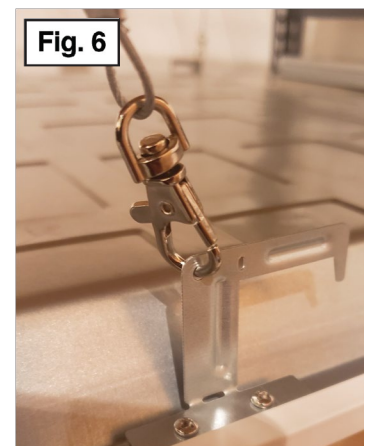
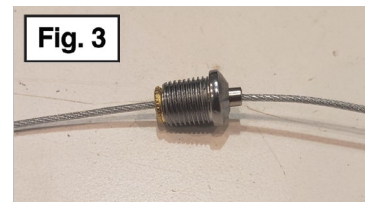
MaxLite® FlatMAX™ LED Flat Panels



Suspended Installation

Cable kits sold separately: **Minimum length: 3.5 in.**
 • MLG4CHK • ML24G4CHK **Maximum length: 36 in.**

1. Position the screw through the Support. **(Fig. 1)**
2. Drive the screw through the desired location on the ceiling until the Support is flush with the surface. **(Fig. 2)**
3. The cable has two ends, one free and the other with a Latch Hook. Secure the free side through the pin end of the Locking Terminator. **(Fig. 3)**
4. Pass the cable through the hole in the Support; screw the Locking Terminator into the Support. **(Fig. 4, Fig. 5)**
5. Locate the clips on the rear of the fixture. Secure the Latch Hook to the fixture clips. **(Fig. 6)**
6. Cable length can be shortened by feeding length of the cable through the Locking Terminator. To release the Locking Terminator, push the pin down and pull the cable.



MaxLite® FlatMAX™ LED Flat Panels



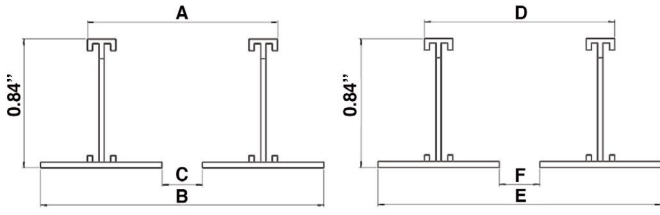
Flange Installation

Flange sold separately:

ML14G4FK • ML22G4FK • ML24G4FK

The Recess Troffer Flange Mounting Kit is designed for recess installation in drywall ceiling applications.

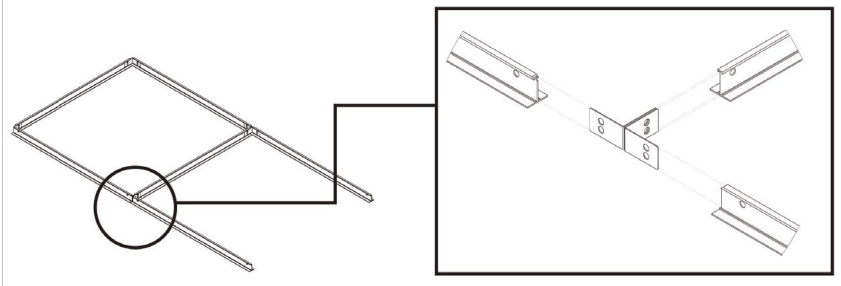
Dimensions



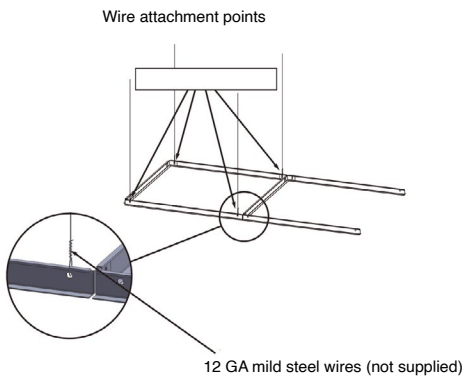
ITEM #	Flange Kit Size After Assembly (Inches)						Ceiling Cutout Size (Inches)	
	A (Width)	B (Width)	C (Width)	D (Length)	E (Length)	F (Length)	A + 1/4" (Width)	D + 1/4" (Length)
ML14G4FK	12.84"	13.50"	11.35"	48.66"	49.36"	47.20"	13.09"	48.91"
ML22G4FK	24.65"	25.31"	23.16"	24.65"	25.30"	23.10"	24.90"	24.90"
ML24G4FK	24.65"	25.31"	23.16"	48.66"	49.36"	47.20"	24.90"	48.91"

Installation Instructions

1. For installation in plaster ceilings, cut an opening of the appropriate size, and then connect the panel light to an incoming power line.
2. Rotate the panel light by 45 degrees.
3. Pass the panel through the ceiling surface.
4. Lay in the panel light on the ceiling or grid.



Wire Support



MaxLite® FlatMAX™ LED Flat Panels



Installation Instructions

1. Using a screwdriver open the cover of junction box.
2. **a.)** Non-dimmable products: connect hot line (in black color)L with L line in driver, and neutral line(white color) with N line in driver.
b.) Dimmable products: connect dimming line in purple color with line marked Dim+ in the driver and DIM- in gray or pink with DIM- from the driver.
1. Remove knock-out(s) and connect conduit to the junction box using the proper connector(s).
2. Close the junction box cover and fasten using a screwdriver.

Operating Characteristic

Voltage input: 120-277V 50/60Hz

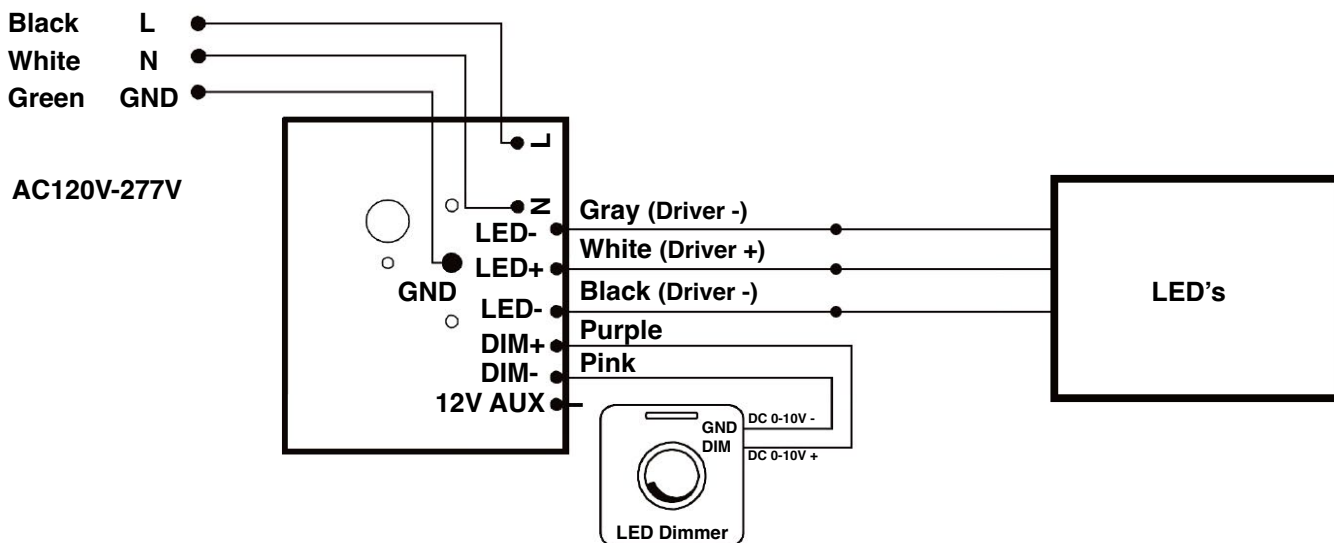
Operating temp: -4°F to 104°F

**Consult with dimmer control manufacturer’s wiring instructions.



Risk of fire or electric shock, installation requires knowledge of the lighting luminaires electrical systems. If not qualified, do not attempt installation and contact a qualified electrician.

Standard Wiring Diagram

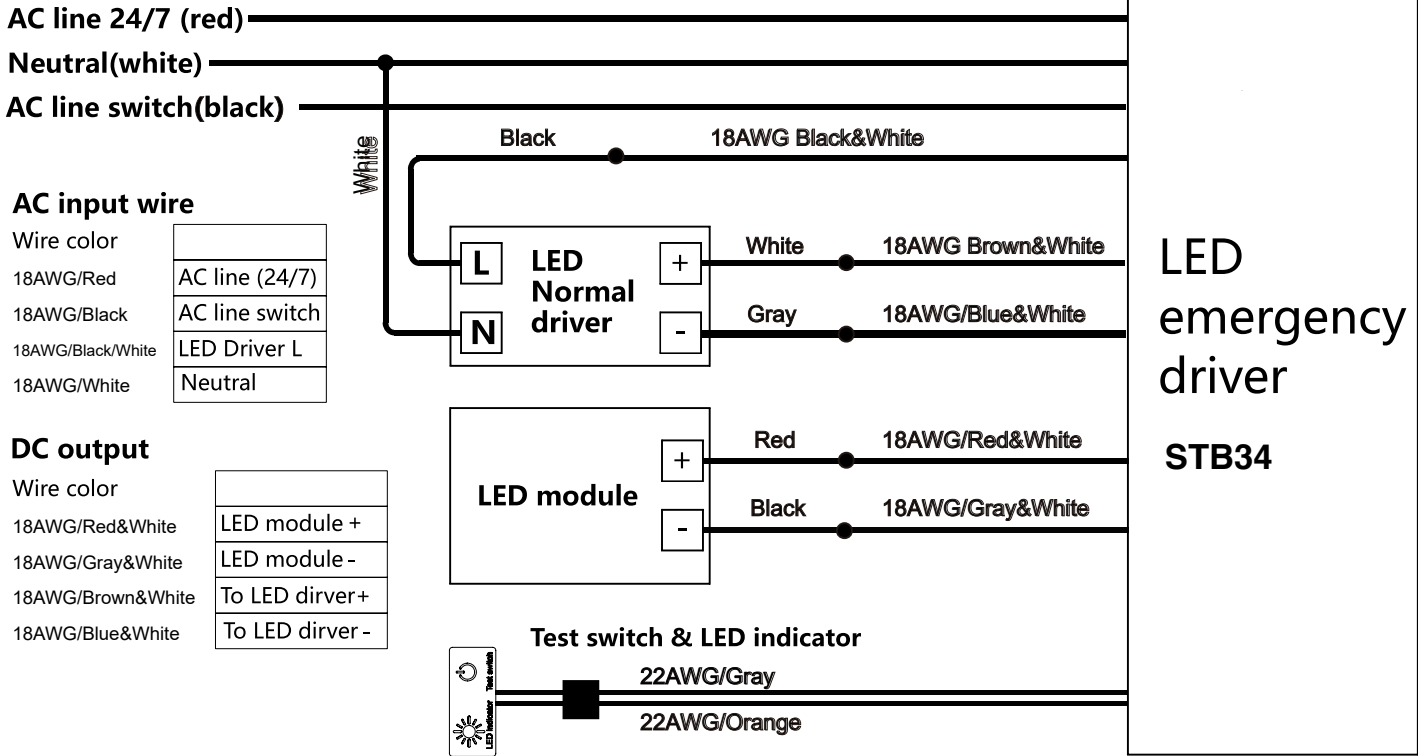


MaxLite® FlatMAX™ LED Flat Panels



Emergency Backup Option

Wiring Diagram:



Emergency Battery Backup – Factory installed option wiring diagram

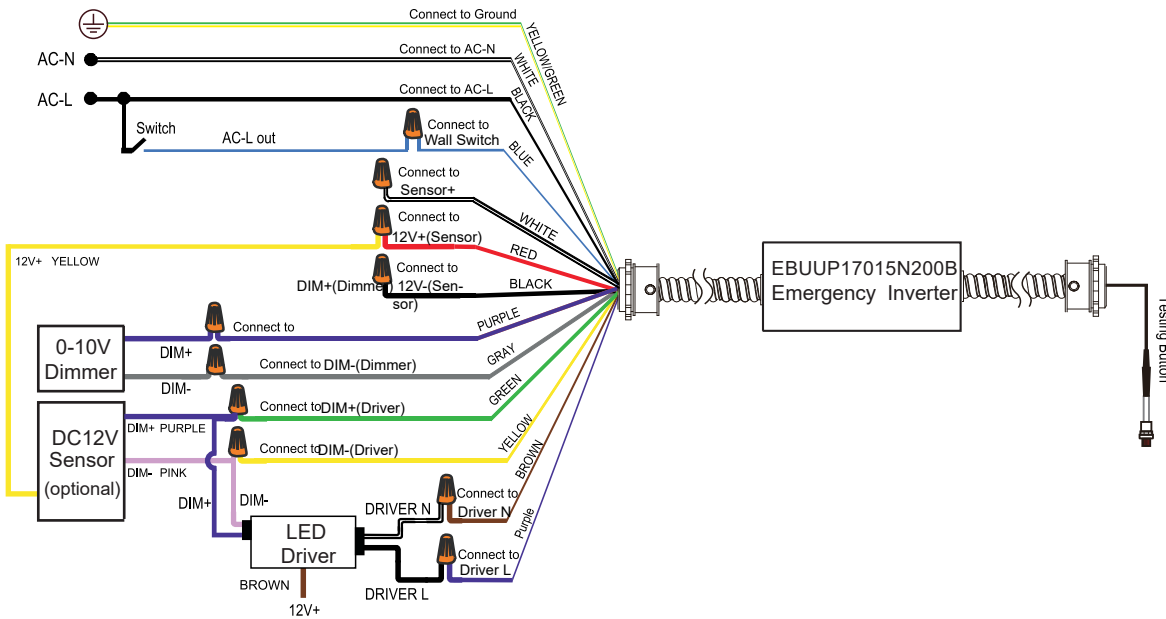


Luminaire operates at 5000K when EM is active.

MaxLite® FlatMAX™ LED Flat Panels



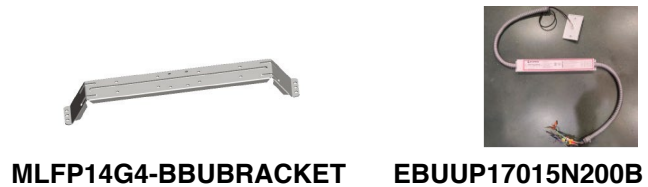
Emergency Backup Field Install Option With EBUUP17015N200B



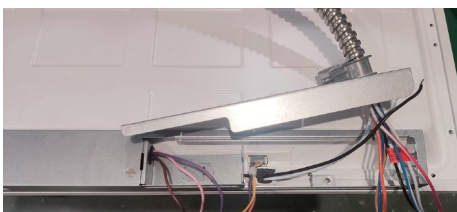
1'x4' Models (MLFP14G4xxxxxxxxxx)

Items Needed:

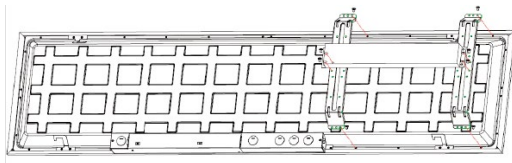
- MLFP14G4-BBUBRACKET (QTY 2)
- Emergency Backup Battery Unit (EBUUP17015N200B)
- M4x6MM Self-Tapping Screws (QTY 12)



Installation Instructions:



1. Open the driver junction box and remove a knockout. Feed the BBU input whip into the junction box cover.



2. Connect the BBU to the fixture, referencing the wiring diagram above.

3. Secure the BBU brackets (sold separately) to the fixture using eight (8) of the M4x6MM screws.



4. Secure the Backup Battery Unit to the BBU Brackets using the remaining screws.

MaxLite® FlatMAX™ LED Flat Panels



2'x2' and 2'x4' Models (MLFP22G4xxxxxxxxx and MLFP24G4xxxxxxxxx)

Items Needed:

- MLFPG4-BBUBRACKET (QTY 1)
- Emergency Backup Battery Unit (EBUUP17015N200B)
- M4x6MM Self-Tapping Screws (QTY 8)



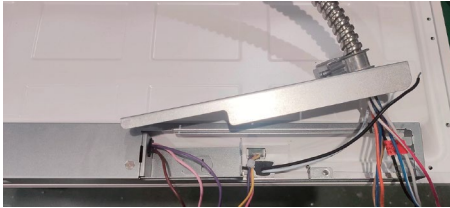
MLFPG4-BBUBRACKET



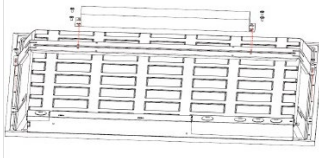
EBUUP17015N200B

Installation Instructions:

1. Open the driver junction box and remove a knockout. Feed the BBU input whip into the junction box cover.



2. Connect the BBU to the fixture, referencing the wiring diagram above.
3. Secure the BBU bracket (sold separately) to the fixture using four (4) of the M4x6MM screws.



4. Secure the Backup Battery Unit to the BBU Bracket using the remaining screw



MaxLite® FlatMAX™ LED Flat Panels

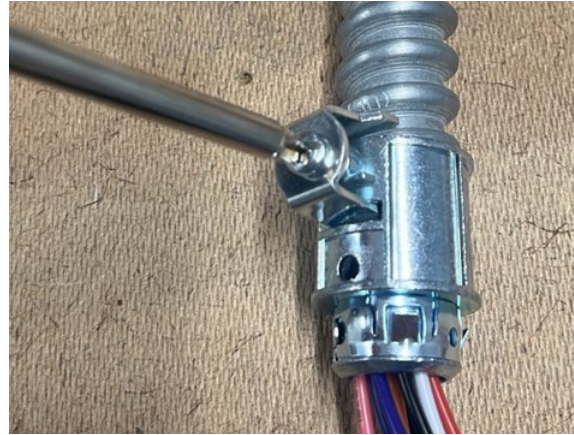


Note: When using field installable BBU with Surface mount kit, purchase ML90DCONNECT separately for easier installation

90 Degree Connector Installation (ML90DCONNECT)



1. Gather ML90DCONNECT and locate wiring-side whip on BBU.



2. Find holding screw on whip connector and loosen.



3. Remove whip connector after loosening holding screw.



4. Prep ML90DCONNECT by removing screws holding the cover.



5. Run wires through ML90DCONNECT housing side.



6. Secure cover back onto the ML90DCONNECT housing.

MaxLite® FlatMAX™ LED Flat Panels



Note: Flat ribbon cable test switch (EBU-RTST-E15) can be purchased separately as an alternative.

Ribbon Test Switch Installation

Replace standard test switch with included test switch to properly attach test switch to the front of the fixture.

NOTE: Must pull connector on opposite directions to disconnect switch.



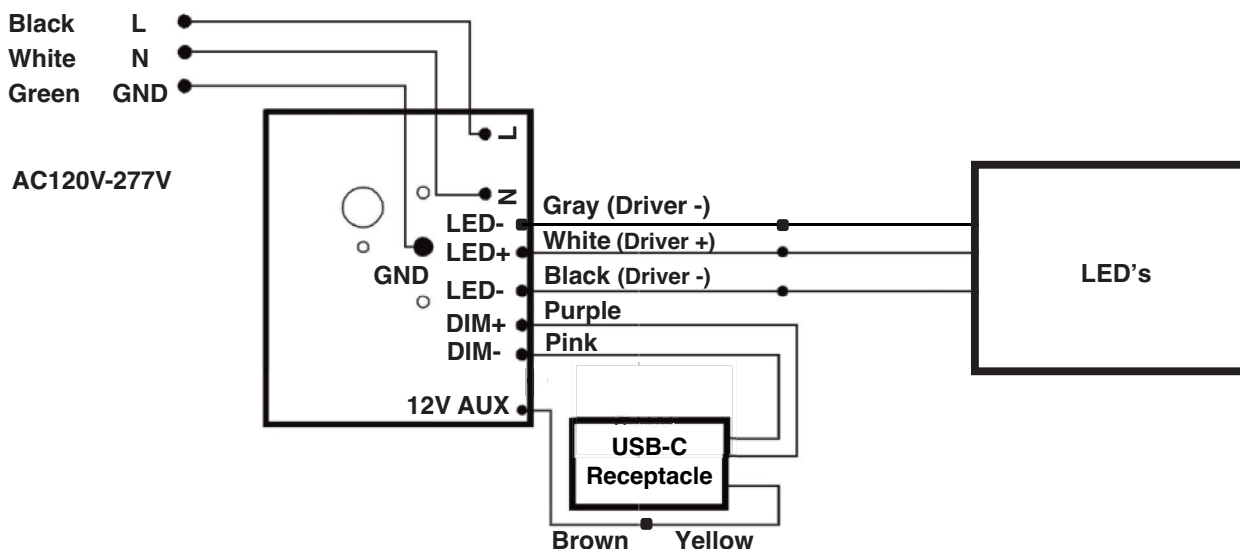
MaxLite® FlatMAX™ LED Flat Panels



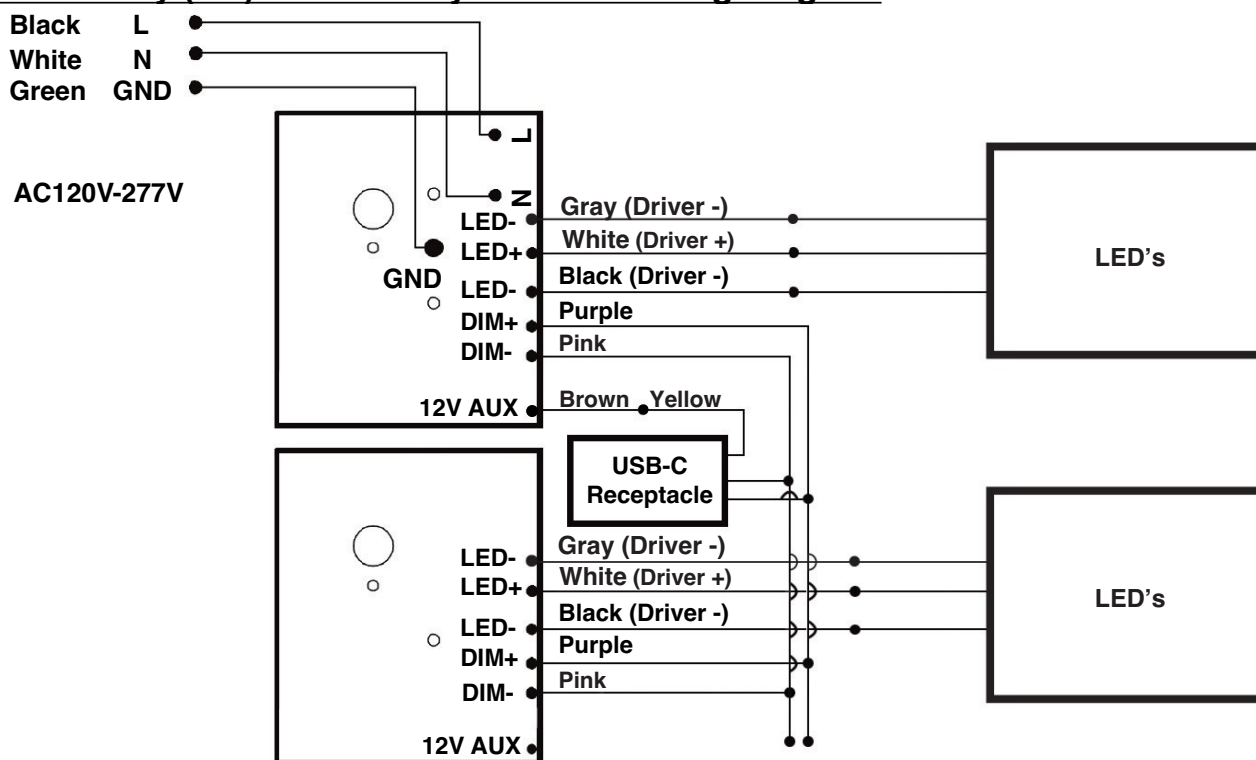
Controls Ready (CR) Model Standard Wiring Diagram



Risk of fire or electric shock, installation requires knowledge of the lighting luminaires electrical systems. If not qualified, do not attempt installation and contact a qualified electrician.



Controls Ready (CR) Model Daisy-Chained Wiring Diagram



- Remove Dim+ and Dim- from the USB-C receptacle from the Child-Fixtures to connect to the Dim+, DIM- of the parent fixture.
- The USB-C receptacle will no longer function on the Child-Fixtures.
- No more than 8 fixtures total when daisy chaining.

MaxLite® FlatMAX™ LED Flat Panels

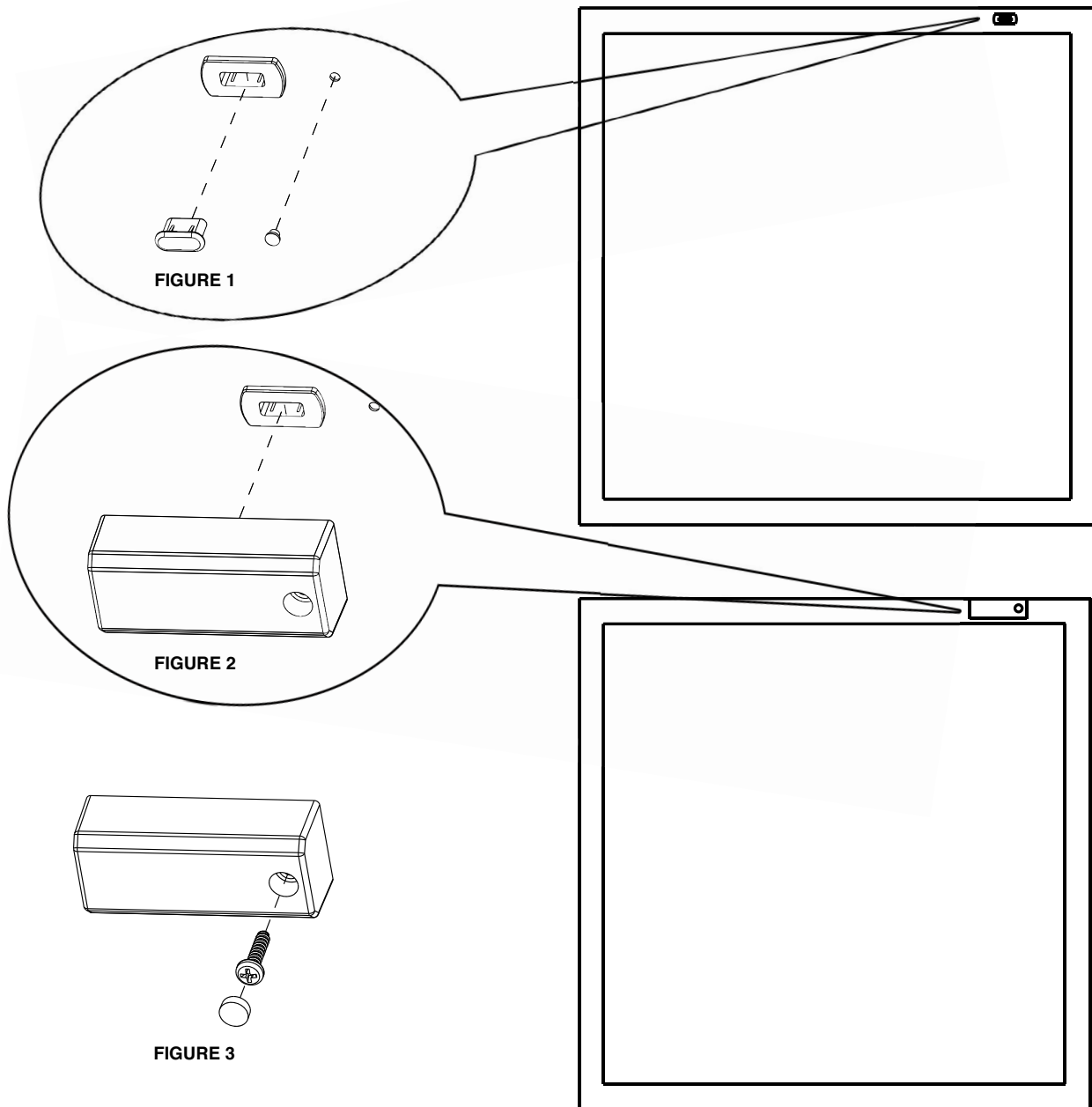


c-Max™ node Installation Instructions (Applicable only on CR models)

1. Remove the silicone plugs from the USB-C receptacle and the screw hole (see Fig. 1).
2. Plug the c-Max™ into the USB-C receptacle via the USB connection (see Fig. 2).
3. Secure the c-Max™ node in place by fastening the included M3 button head screw with a Hex (Allen) key (not included). Once the screw is secured, cover it with the included silicone cap (see Fig. 3 - drawing for illustration only, actual screw may look different.)

Note: For samples including a hex screw, use a 2.5mm Allen key or SAE equivalent 3/32.

Note: In motion sensor models, the USB-C receptacle if present would no longer be functional.



MaxLite® FlatMAX™ LED Flat Panels



Standard Product Warranty

TERMS & CONDITIONS

Introduction

This product warranty (the "Warranty") covers each of MaxLite's LED lighting fixtures, lamps, and controls (the "Product(s)") that are purchased while the Warranty is in effect, for a specified period of time (the "Warranty Period") from the earlier of the actual installation date or 90 days after the original date of purchase from a MaxLite authorized distributor/dealer. For each Product, the Warranty Period can be found in the most current versions of the MaxLite Standard Product Warranty Coverage document ("SPWC") and applicable MaxLite Product Data Sheet ("PDS").

Warranty Coverage

If a Product fails to operate during the Warranty Period as a result of defects in materials or workmanship, MaxLite will, at its option, repair it, replace it with the same Product (or, if the same Product is not reasonably available, with a product that is comparable in MaxLite's view) at no charge, or will issue a refund. MaxLite reserves the right to utilize new, reconditioned, refurbished, repaired, or remanufactured products or parts in the warranty replacement process.

General Terms and Conditions of the Warranty

1. The Warranty is effective for purchases of Products on and after July 22, 2019. MaxLite reserves the right to modify the Warranty from time to time; any such modifications shall be effective for all purchases made on and after the effective date of such modification.
2. The Warranty is applicable only to Products originally purchased from an authorized MaxLite distributor/dealer and is otherwise void.
3. Except for Products that qualify for a labor allowance per the SPWC, MaxLite is not responsible for any of the labor costs or other expenses associated with Product removal or installation.
4. The Warranty is void if the Product is operated outside its normal operating conditions per the applicable PDS, has been installed for an application for which it is not rated, or has been subject to accident, neglect, abuse, misuse, or Acts of God, and shall only be effective if the Product has been used, installed, and maintained in accordance with MaxLite's written instructions.
5. The Warranty shall not apply to any Product which is used, installed, operated, or maintained in violation of any applicable standard, code, or instructions for use, including without limitation, those contained in the Standards for Safety of Underwriters Laboratory, Inc (UL); the National Electric Code (NEC); Standards for the American National Standards Institute (ANSI); or, in Canada, the Canadian Standards Association (CSA).
6. The Warranty does not cover any 3rd party devices or products used in conjunction with the Product unless they are purchased from or provided by MaxLite to be used specifically with the Product.
7. Repaired and/or replacement products are warranted by MaxLite for the remainder of the failed Product's original Warranty Period.
8. The Warranty shall not apply to Products, parts, advice, assistance, or service which a) MaxLite furnishes as a courtesy or for no fee, and/or b) that are purchased and/or used outside of the United States or Canada.
9. In the event that LEDs fail to operate, such shall constitute a Product defect under the Warranty only if at least 15% of the LEDs per product have stopped illuminating.
10. The Warranty does not cover any cosmetic Product defects, including without limitation, damage to the painted Product finish or other finish or coating. Nor does the Warranty cover any lumen drop-off or CCT (color temperature) variations experienced by a Product.
11. Only an Officer of MaxLite, or a designee appointed in writing by an Officer of MaxLite is authorized to change, modify or extend the terms of this Warranty.
12. The Warranty and all matters connected with the performance thereof shall be construed, interpreted, applied and governed in all respects by the laws of the State of New Jersey in the United States of America. Any action, suit or proceeding arising out of or relating to this Limited Warranty and/or to the purchase of Products covered by this Limited Warranty, shall be venued exclusively in the State or Federal courts located within the State of New Jersey (U.S.A.).
13. To make a claim under the Warranty, customer must notify MaxLite (or MaxLite's designee) in writing, during the Warranty Period, of the Product failure. All claims must be initiated using the warranty claim process found on MaxLite's website.
14. Before providing Warranty coverage, MaxLite or its designee(s): (i) may require that you provide evidence of the purchase and/or installation date (e.g. a copy of original receipt/invoice, customer order number, etc.); and (ii) shall have the right but not the obligation to inspect the relevant project job site.
15. Warranty coverage is only available if the original purchaser is not in default or arrears on any portion of its payment obligations to MaxLite for the defective Product.

LIMITATION OF LIABILITY

THIS WARRANTY IS EXCLUSIVE, AND IS THE SOLE REMEDY FOR ANY AND ALL CLAIMS, WHETHER IN CONTRACT, IN TORT OR OTHERWISE ARISING FROM THE FAILURE OF PRODUCT AND IS IN LIEU OF ALL OTHER WARRANTIES, EXPRESS OR IMPLIED, INCLUDING ALL WARRANTIES OF MERCHANTABILITY OR FITNESS FOR A PARTICULAR PURPOSE, WHICH WARRANTIES ARE HEREBY EXPRESSLY DISCLAIMED TO THE EXTENT PERMITTED BY LAW AND, IN ANY EVENT, SHALL BE LIMITED TO THE WARRANTY PERIOD SPECIFIED ABOVE. THE LIABILITY OF MAXLITE SHALL BE LIMITED TO THE TERMS OF THE EXPRESS WARRANTY SET FORTH HEREIN. IN NO EVENT WILL MAXLITE BE LIABLE FOR ANY SPECIAL, INCIDENTAL OR CONSEQUENTIAL DAMAGES INCLUDING, WITHOUT LIMITATION, DAMAGES RESULTING FROM LOSS OF USE, PROFITS, BUSINESS OR GOODWILL, LABOR COSTS, REMOVAL OR INSTALLATION COSTS, WHETHER OR NOT MAXLITE HAS BEEN ADVISED OF THE POSSIBILITY THEREOF. UNDER NO CIRCUMSTANCES SHALL MAXLITE'S ENTIRE LIABILITY FOR A DEFECTIVE PRODUCT EXCEED THE PURCHASE PRICE OF THAT PRODUCT (EXCLUDING LABOR WARRANTY COVERAGE WHERE SPECIFICALLY OFFERED BY MAXLITE). WARRANTY SERVICES PROVIDED UNDER THESE TERMS AND CONDITIONS DO NOT ENSURE THE UNINTERRUPTED OPERATION OF PRODUCTS; MAXLITE SHALL NOT BE LIABLE FOR DAMAGES CAUSED BY ANY DELAYS INVOLVING WARRANTY SERVICE.

This Warranty gives you specific legal rights and you may also have other rights that may vary from state to state. Because some states or jurisdictions do not allow the exclusion or limitation of liability for consequential or incidental damages, such limitation may not apply to you.

MaxLite® FlatMAX™ - Panneaux plats à DEL

MaxLite®

Consignes générales de sécurité

- Pour réduire le risque de décès, de blessure corporelle ou de dommage matériel provoqué par incendie, choc électrique, chute d'objets, coupures / abrasions et autres risques, lisez tous les avertissements et les instructions qui accompagnent l'emballage du luminaire et toutes les étiquettes du luminaire.
- L'installation commerciale, la réparation et l'entretien des luminaires seront effectués par un électricien qualifié et autorisé.
- NE PAS INSTALLER DE PRODUITS ENDOMMAGÉS!



L'image est pour des fins d'illustration seulement.
Votre modèle peut être différent.

AVERTISSEMENT :

RISQUE DE CHOC ÉLECTRIQUE

- Débranchez l'alimentation électrique au fusible ou au disjoncteur avant de connecter le luminaire à la source d'alimentation.
- Débranchez l'alimentation lorsque vous effectuez des travaux d'entretien.
- Vérifiez si la valeur de la tension d'alimentation est correcte en la comparant aux informations dans le tableau sur l'étiquette du luminaire.
- Réalisez toutes les connexions électriques et de terre en conformité avec le code électrique national et les éventuelles exigences locales applicables du code.
- Toutes les connexions électriques seront terminées avec des connecteurs pour fils approuvés UL.

PRÉCAUTION :

RISQUE DE BLESSURE

- Portez des gants et des lunettes de sécurité en tout temps, lorsque vous enlevez le luminaire de son emballage, lors de l'installation, la réparation ou les travaux d'entretien.
- Évitez l'exposition directe des yeux à la source de lumière si le luminaire est allumé.
- Comptabilisez les composants de dimensions réduites et éliminez l'emballage, parce qu'il peut représenter un risque pour les enfants.
- Assurez-vous que les luminaires sont bien attachés à la grille en T avec du fil métallique ou avec du câble d'aéronef capable de supporter au moins 45 kg (100 lb).

PRÉCAUTION :

RISQUE D'INCENDIE

- Gardez les matériaux combustibles et les autres matériaux qui peuvent brûler à distance des luminaires et de la lampe / lentille.
- FILS D'ALIMENTATION MIN. 90°C.

Modèles :

Série MLFPxxG5

Inclus dans la boîte :

- Luminaire à panneaux plats à LED
- Boîtier de jonction
- Instructions

MaxLite® FlatMAX™ - Panneaux plats à DEL

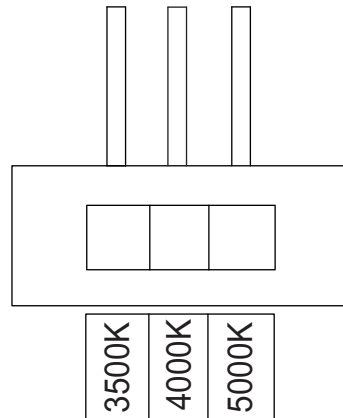
Réglage de la température de couleur

Remarque : Applicable uniquement aux modèles terminés en CS. Les modèles sont configurés à la puissance la moins élevée et à 4000K.



Réglages de la couleur :

la gauche correspond à 3500K ;
le milieu correspond à 4000K ;
la droite correspond à 5000K ;



Réglage de la puissance

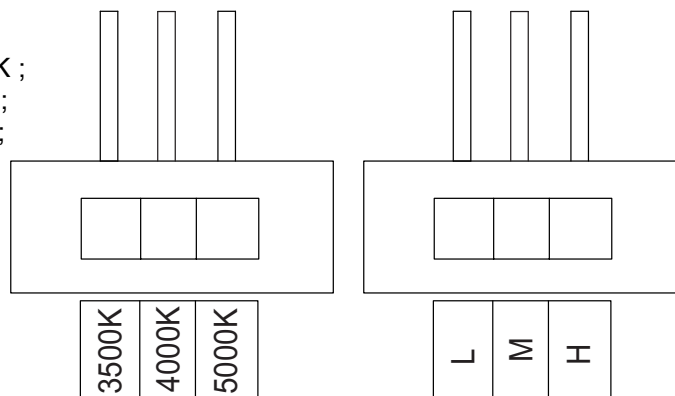
Remarque : Applicable aux modèles terminés en WCS. Les modèles sont configurés à la puissance la moins élevée et à 4000K.

Réglages de la couleur :

la gauche correspond à 3500K ;
le milieu correspond à 4000K ;
la droite correspond à 5000K ;

Réglages de la puissance :

La gauche correspond au niveau réduit (L) ;
le milieu correspond au niveau moyen (M) ;
la droite correspond au niveau élevé (H) ;



Régler la température de couleur et du rendement lumineux en utilisant les deux commutateurs DIP. Chaque commutateur DIP a 3 options (gauche, milieu et droite), correspondant aux 3 températures de couleurs et puissances. Utiliser ces commutateurs pour sélectionner la combinaison désirée de température de couleur et rendement lumineux.

Réglages d'origine : 4000K, la puissance la plus réduite en fonction du luminaire.

1. Les commutateurs DIP sont situés sur le dos du luminaire.
2. Sélectionner une puissance et une température de couleur en faisant glisser le commutateur vers la gauche ou vers la droite respectivement pour la valeur désirée.

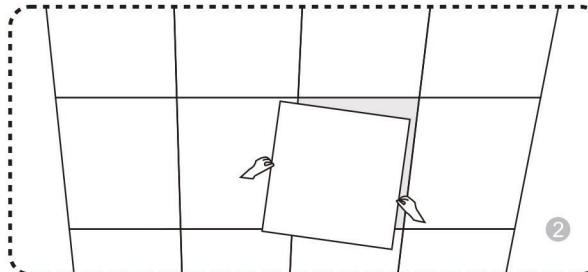
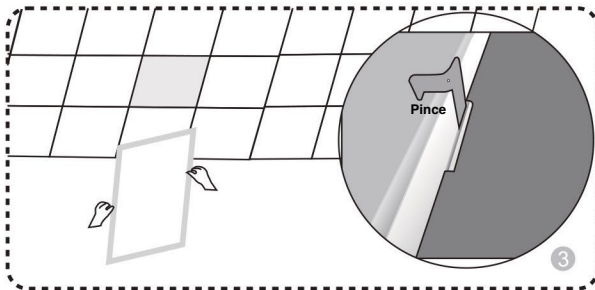
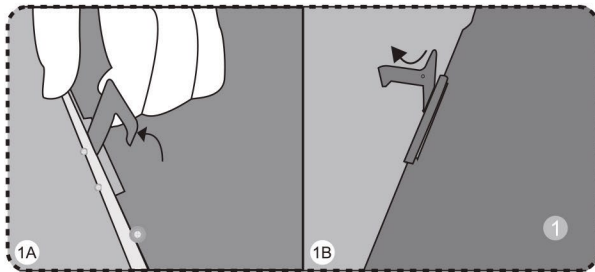


MaxLite® FlatMAX™ - Panneaux plats à DEL



Montage encastré

! La pince est utilisée pour le positionnement (NON pour le montage)

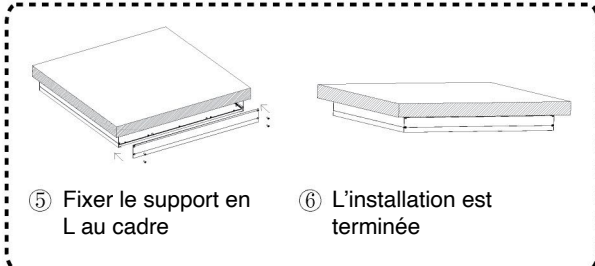
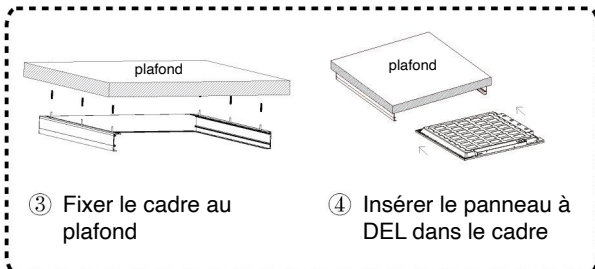
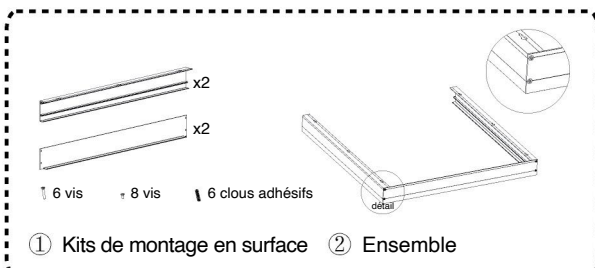


- 1.) Plier la boucle d'accrochage à 90°, en plan vertical par rapport au couvercle arrière du luminaire à panneau plat. **(Fig. 1A)**
Plier la partie supérieure de la boucle d'accrochage à 90° **(Fig. 1B)** et répéter pour toutes les boucles.
- 2.) Couper l'alimentation et enlever le panneau de plafond. **(Fig. 2)**
- 3.) Mettre le chemin lumineux encastré dans la barre en T. S'assurer que le chemin lumineux encastré est attaché au plafond. **(Fig. 3)**

Installation en surface

Kits de montage en surface vendus séparément :

• ML14G4SMK • ML22G4SMK • ML24G4SMK



! Veuillez vous assurer que le cadre est bien assemblé avant de le fixer au plafond

MaxLite® FlatMAX™ - Panneaux plats à DEL

MaxLite®

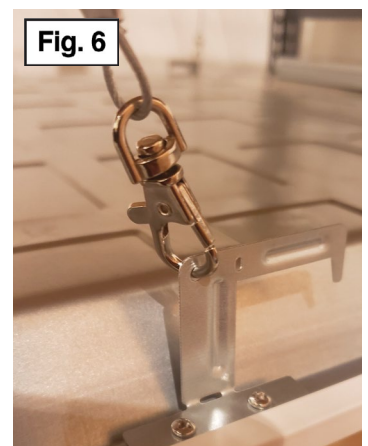
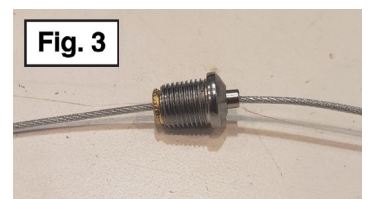
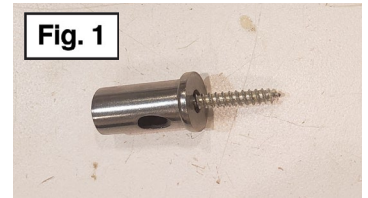
Installation suspendue

Kits de câble vendus séparément :
 • MLG4CHK • ML24G4CHK

Longueur minimale : 8,89cm / 3,5po.

Longueur maximale : 91,44cm / 36po.

- 1.) Mettez la vis dans le support. (Fig. 1)
- 2.) Entraînez la vis dans l'endroit désiré sur le plafond jusqu'à ce que le support soit au même niveau que la surface. (Fig. 2)
- 3.) Le câble a deux bouts, l'un libre et l'autre avec un crochet de verrouillage. Fixez le bout libre à travers le bout à broche de la terminaison de verrouillage. (Fig. 3)
- 4.) Faites passer le câble à travers le trou dans le support ; vissez la terminaison de verrouillage dans le support. (Fig. 4, Fig. 5)
- 5.) Localisez les pinces sur le dos du luminaire. Attachez le crochet de verrouillage aux pinces du luminaire. (Fig. 6)
- 6.) La longueur du câble peut être réduite en faisant passer le câble à travers la terminaison de verrouillage. Pour libérer la terminaison de verrouillage, poussez la broche vers le bas et tirez le câble.



MaxLite® FlatMAX™ - Panneaux plats à DEL



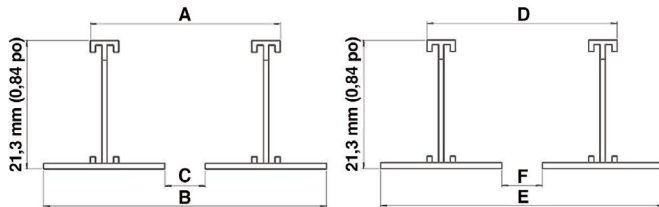
Installation à bride

Bride vendue séparément :

• ML14G4FK • ML22G4FK • ML24G4FK

Le Kit de montage à chemin encastré a été conçu pour l'installation encastrée dans des plafonds en cloison sèche.

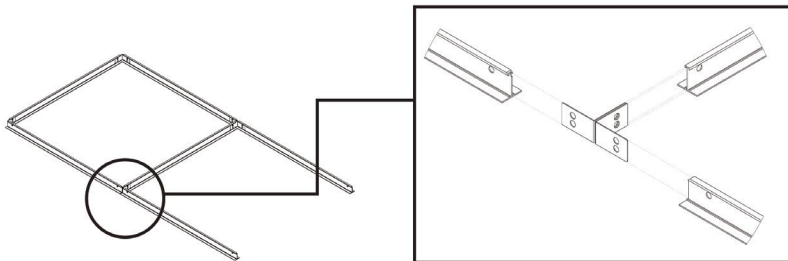
Dimensions



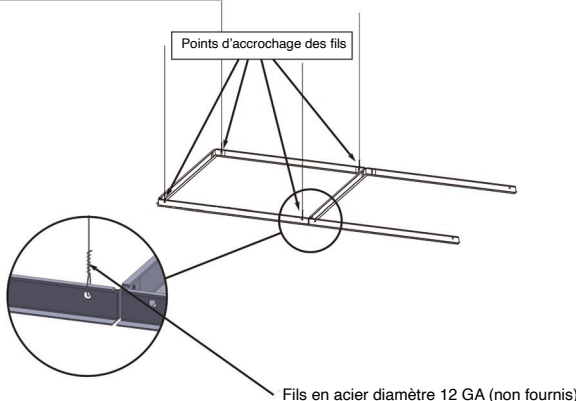
No de l'article	Dimension du kit de bride après assemblage						Dimension du découpage du plafond	
	A (Largeur)	B (Largeur)	C (Largeur)	D (Longueur)	E (Longueur)	F (Longueur)	A+6 mm (1/4 po) (Largeur)	D+6 mm (1/4 po) (Longueur)
ML14G4FK	32,61 cm (12,84 po)	34,29 cm (13,50 po)	28,82 cm (11,35 po)	123,59 cm (48,66 po)	125,37 cm (49,36 po)	119,88 cm (47,20 po)	33,24 cm (13,09 po)	124,23 cm (48,91 po)
ML22G4FK	62,61 cm (24,65 po)	64,28 cm (25,31 po)	58,82 cm (23,16 po)	62,61 cm (24,65 po)	64,28 cm (25,31 po)	58,67 cm (23,10 po)	63,24 cm (24,90 po)	63,24 cm (24,90 po)
ML24G4FK	62,61 cm (24,65 po)	64,28 cm (25,31 po)	58,82 cm (23,16 po)	123,59 cm (48,66 po)	125,37 cm (49,36 po)	119,88 cm (47,20 po)	63,24 cm (24,90 po)	124,23 cm (48,91 po)

Instructions d'installation

1. Pour l'installation dans les plafonds en plâtre, découper une ouverture de dimensions adéquates, ensuite connecter le panneau lumineux à une ligne d'alimentation.
2. Tourner le panneau lumineux à 45 degrés.
3. Faire passer le panneau par la surface du plafond.
4. Poser le panneau lumineux sur le plafond ou sur la grille.



Fils de soutien



MaxLite® FlatMAX™ - Panneaux plats à DEL



Instructions d'installation

- 1.) Ouvrir le couvercle du boîtier de jonction avec un tournevis.
- 2.)
 - a.) Produits sans variateur: brancher la phase (noir) L à la ligne L du pilote, et le nul (blanc) à la ligne N du pilote.
 - b.) Produits à variateur: connecter la ligne du variateur en violet à la ligne marquée « DIM+ » du pilote et « DIM- » en gris ou en rose à la ligne « DIM- » du pilote.
- 3.) Enlever les éjecteurs et connecter le conduit au boîtier de jonction avec des connecteurs adéquats.
- 4.) Fermer le couvercle du boîtier de jonction et fixer avec un tournevis.

Caractéristiques de fonctionnement :

Tension d'entrée : 120-277V 50/60Hz

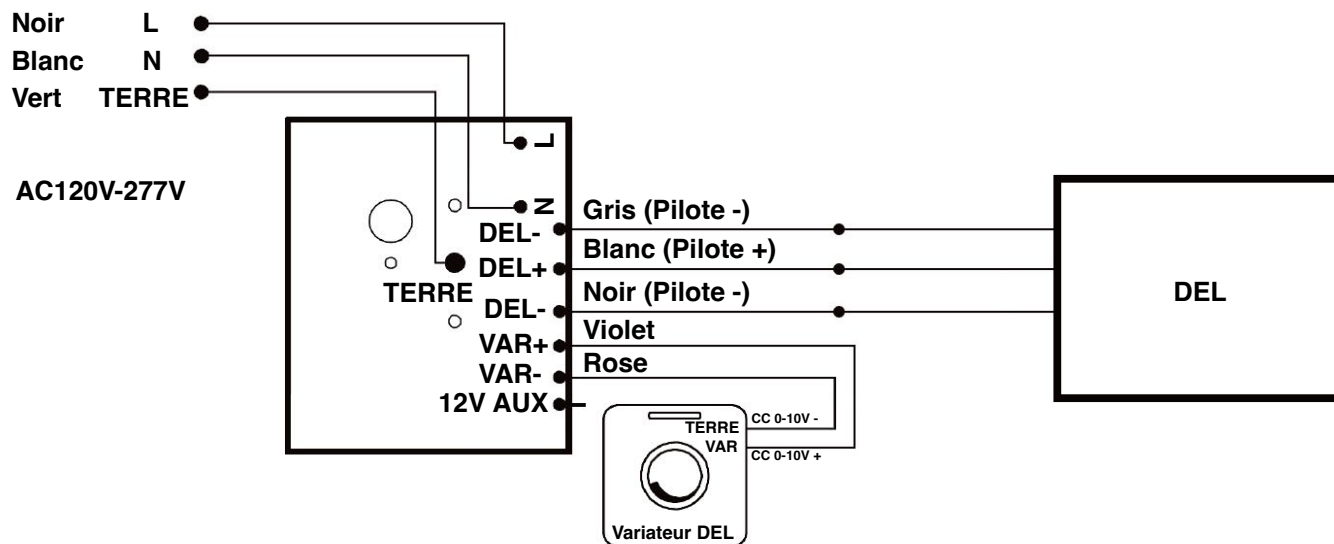
Temp. de fonctionnement : -20°C à 40°C (-4°F à 104°F)

**Lisez les instructions de câblage du fabricant du variateur de commande.

⚠ AVERTISSEMENT

Risque d'incendie ou de choc électrique. L'installation exige la connaissance des systèmes électriques des luminaires. L'installation ne sera pas effectuée par les personnes sans qualification. Contacter un électricien qualifié.

Schéma général de câblage

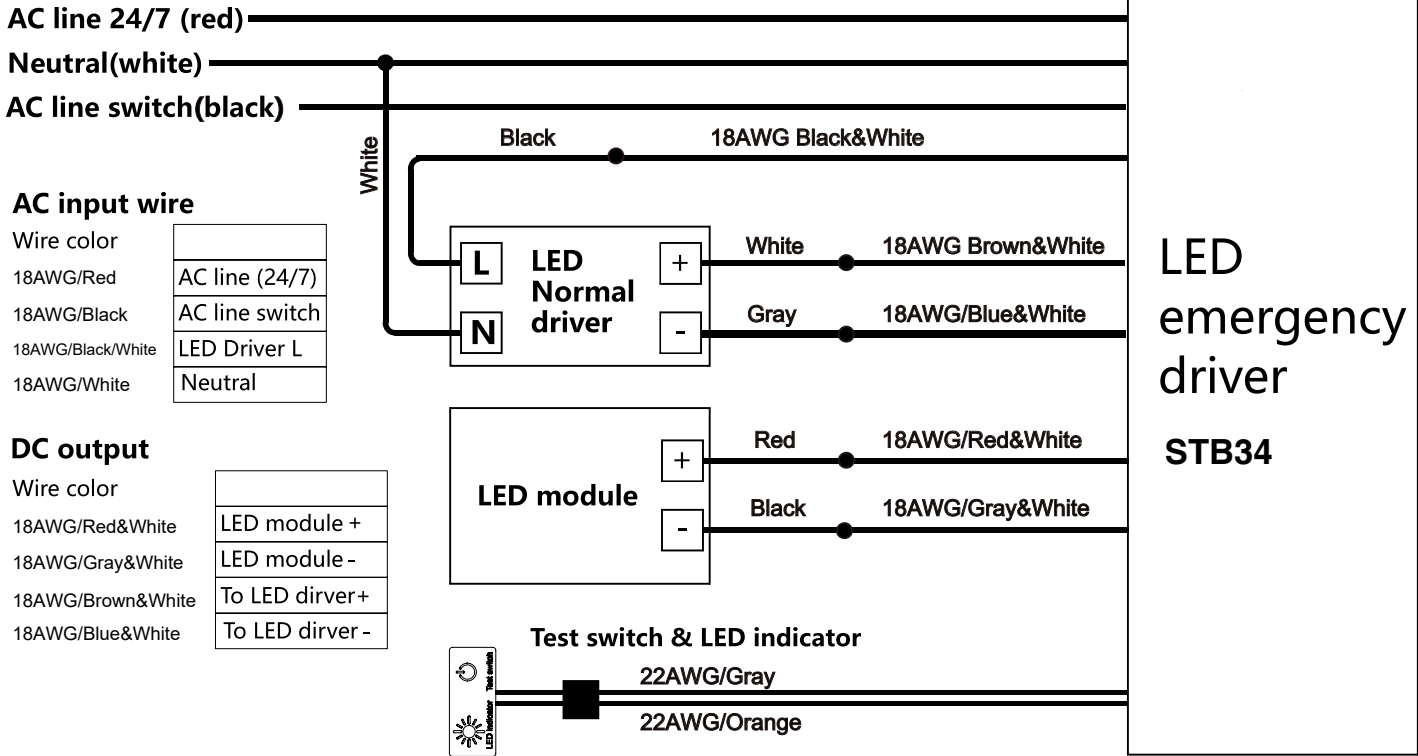


MaxLite® FlatMAX™ - Panneaux plats à DEL



Option de secours

Schéma de câblage :



Batterie de secours – Schémas de câblage de l'option préinstallée

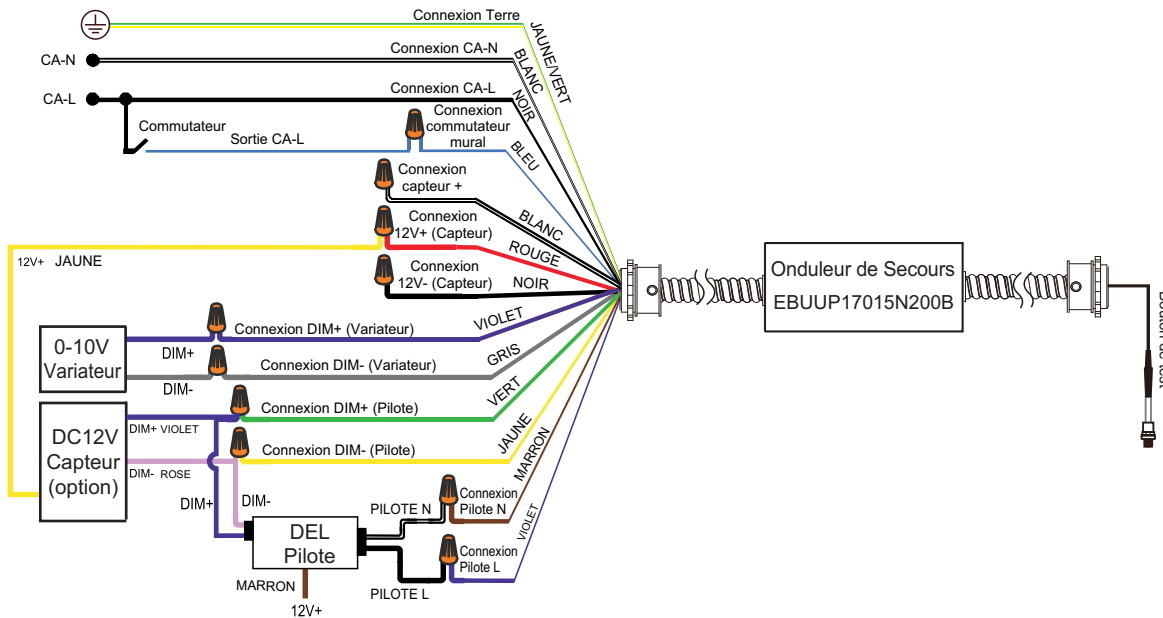


Le luminaire fonctionne à 5000K lorsque l'option de secours EM est active.

MaxLite® FlatMAX™ - Panneaux plats à DEL



Option d'installation sur site du système de secours avec EBUUP17015N200B



Modèles de 30,48 x 121,92 cm (1 x 4 pi) (MLFP14G4xxxxxxxx)

Articles nécessaires :

- SUPPORT MLFP14G4-BBUBRACKET (Qté 2)
- Batterie de secours (EBUUP17015N200B)
- Vis autotaraudeuses M4x6MM (Qté 12)



**SUPPORT
MLFP14G4-BBUBRACKET**



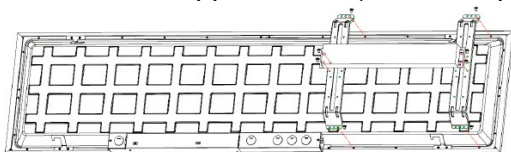
EBUUP17015N200B

Instructions d'installation :

1. Ouvrir le boîtier de jonction du pilote et enlever un bouchon d'entrée de câble. Introduire le câble multiconducteur BBU à travers le couvercle du boîtier de jonction.



2. Connecter le BBU au luminaire, en respectant le schéma de câblage ci-dessus.
3. Attacher les supports BBU (vendus séparément) au luminaire en utilisant huit (8) vis M4x6MM.



4. Attacher la batterie de secours aux supports BBU en utilisant les autres vis.



MaxLite® FlatMAX™ LED Flat Panels



**Modèles de 60,96 x 60,96 cm (2 x 2 pi) et de 60,96 x 121,92 cm (2 x 4 pi)
(MLFP22G4xxxxxxxxx et MLFP24G4xxxxxxxxx)**

Articles nécessaires :

- SUPPORT MLFPG4-BBU (Qté 1)
- Batterie de secours (EBUUP17015N200B)
- Vis autotaraudeuses M4x6MM (Qté 8)



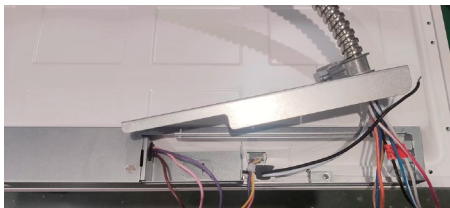
**SUPPORT
MLFPG4-BBUBRACKET**



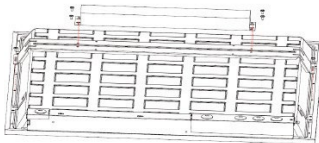
EBUUP17015N200B

Articles nécessaires :

1. Ouvrir le boîtier de jonction du pilote et enlever un bouchon d'entrée de câble. Introduire le câble multiconducteur BBU à travers le couvercle du boîtier de jonction.



2. Connecter le BBU au luminaire, en respectant le schéma de câblage ci-dessus.
3. Attacher les supports BBU (vendus séparément) au luminaire en utilisant quatre (4) vis M4x6MM.



4. Attacher la batterie de secours au support BBU en utilisant les autres vis.

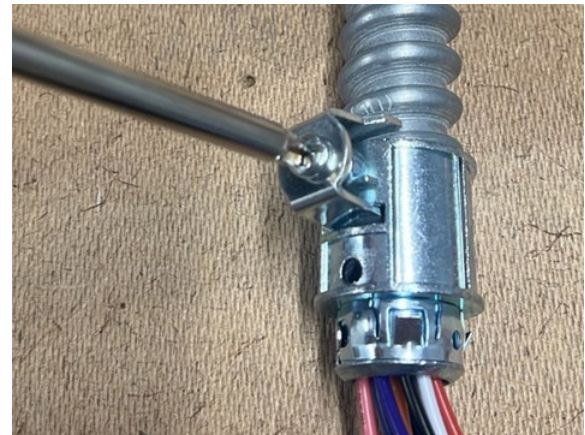


MaxLite® FlatMAX™ - Panneaux plats à DEL

Remarque : En utilisant un BBU pouvant être installé sur site avec un kit de montage en surface, acheter le connecteur ML90DCONNECT séparément, pour une installation plus facile

Installation du connecteur à 90 degrés (ML90DCONNECT)

1. Prendre le connecteur ML90DCONNECT et identifier le côté de câblage du câble multiconducteur du BBU.
2. Identifier et desserrer la vis de fixation du connecteur multiconducteur.



3. Enlever le connecteur du câble multiconducteur après avoir desserré la vis de fixation.



4. Préparer le connecteur ML90DCONNECT en enlevant les vis soutenant le couvercle.



5. Faire passer les fils à travers le connecteur ML90DCONNECT.



6. Remettre le couvercle du connecteur ML90DCONNECT.



MaxLite® FlatMAX™ - Panneaux plats à DEL

MaxLite®

Remarque : Le commutateur de test à câble plat (EBU-RTST-E15) peut être acheté séparément, comme alternative.

Installation du commutateur de test à câble plat

Remplacer le commutateur de test standard avec le commutateur de test compris, pour attacher correctement le commutateur de test sur le devant du luminaire.

REMARQUE : Tirer sur les deux parties du connecteur pour débrancher le commutateur.



MaxLite® FlatMAX™ - Panneaux plats à DEL



Schéma de Câblage Standard du Modèle Prêt à Contrôler (CR)

⚠ AVERTISSEMENT

Risque d'incendie ou de choc électrique. L'installation exige la connaissance des systèmes électriques des luminaires. L'installation ne sera pas effectuée par les personnes sans qualification. Contacter un électricien qualifié.

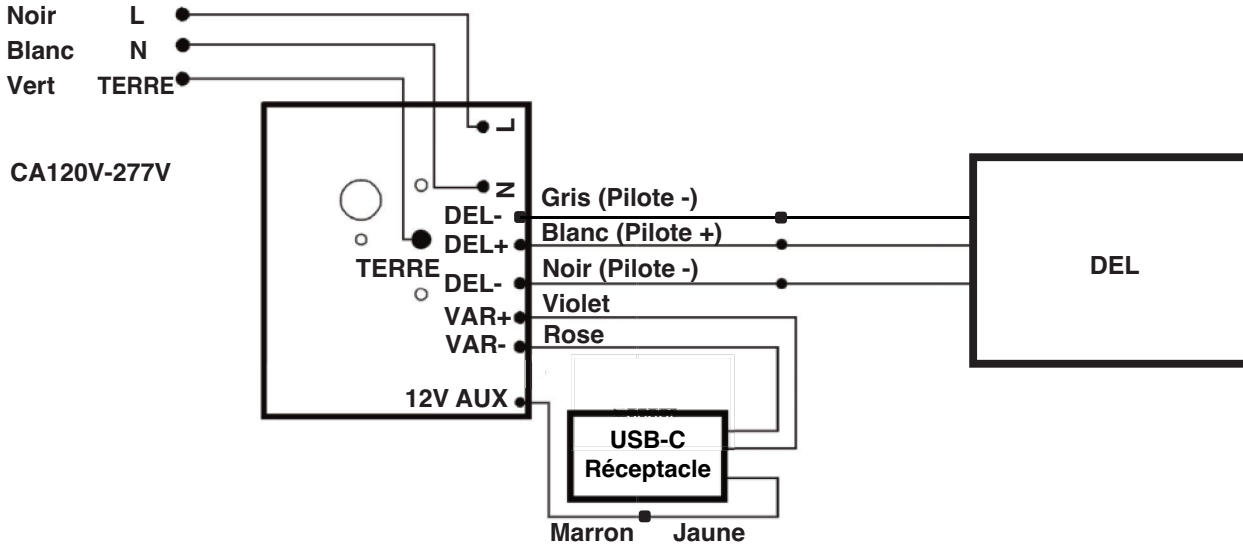
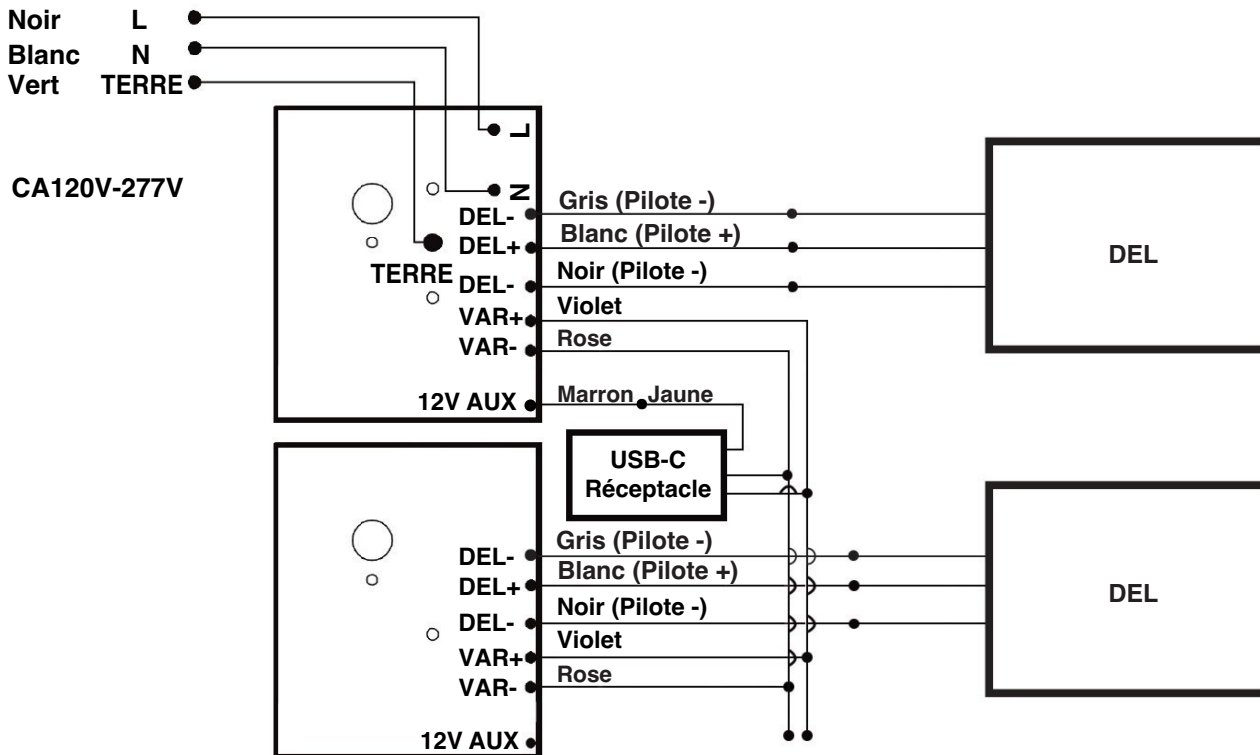


Schéma de Câblage en Guirlande du Modèle Prêt à Contrôler (CR)



- Enlever Var+ et Var- du réceptacle USB-C des luminaires secondaires pour connecter à Var+, Var- du luminaire principal.
- Le réceptacle USB-C ne fonctionnera plus sur les luminaires secondaires.
- Le nombre total maximum de luminaires en guirlande est 8.

MaxLite® FlatMAX™ - Panneaux plats à DEL

MaxLite®

Instructions d'installation du nœud c-Max™ (applicables uniquement aux modèles CR)

1. Enlever les bouchons en silicone du réceptacle USB-C et de l'orifice pour vis (voir Fig. 1).
2. Brancher le c-Max™ dans le réceptacle USB-C par la connexion USB (voir Fig. 2).
3. Fixer le nœud c-Max™ sur place en serrant la vis M3 à tête ronde fournie avec une clé hexagonale (Allen) (non fournie). Une fois la vis fixée, la couvrir avec le bouchon en silicone (voir Fig. 3 - dessin à titre d'exemple uniquement). La vis réelle peut avoir un aspect différent).

Remarque : Pour les modèles incluant une vis hexagonale, veuillez utiliser une clé Allen de 2,5 mm ou l'équivalent SAE 3/32.

Remarque : Dans les modèles à capteur de mouvement, le réceptacle USB-C, le cas échéant, n'est plus fonctionnel.

