

MaxLite® ArcMax (MLVT)



General Safety Information

- To reduce the risk of death, personal injury or property damage from fire, cuts/abrasions, and other hazards read all warnings and instructions included with and on the fixture box and all fixture labels.
- Before installing, servicing, or performing routine maintenance upon this equipment, follow these general precautions.
- Commercial installation, service and maintenance of luminaires should be performed by a qualified licensed electrician.
- For Residential installation: If you are unsure about the installation or maintenance of the luminaires, consult a qualified licensed electrician and check your local electrical code.
- DO NOT INSTALL DAMAGED PRODUCT!
- This fixture is intended to be connected to a properly installed and grounded UL Listed troffer housing.



Picture is for illustration purposes only. Your model may vary and may not be identical to the fixture purchased.

WARNING: RISK OF FIRE OR ELECTRIC SHOCK

- Turn off electrical power at fuse or circuit breaker box before wiring fixture to the power supply.
- Turn off the power when you perform any maintenance.
- Verify that supply voltage is correct by comparing it with the luminaire label information.
- Make all electrical and grounded connections in accordance with the National Electrical Code and any applicable local code requirements.
- All wiring connections should be capped with UL approved wire connectors.
- Install this kit only in luminaires that have the construction features and dimensions shown in the photographs and/or drawings and where the input rating of the retrofit kit does not exceed the input rating of the luminaire.
- Only those open holes indicated in the photographs and/or drawings may be made or altered as a result of kit installation. Do not leave any other open holes in an enclosure of wiring or electrical components.
- To prevent wiring damage or abrasion, do not expose wiring to edges of sheet metal or other sharp objects.
- The electrical rating of these products are 120-277 Vac, the installer must determine whether they have 120-277 V at the luminaire before installation.
- LED Retrofit Kit installation requires knowledge of luminaires electrical systems. If not qualified, do not attempt installation. Contact a qualified electrician.
- Luminaire wiring and electrical parts may be damaged when drilling for installation of LED retrofit kit. Check for enclosed wiring and components.

CAUTION: RISK OF INJURY

- Wear gloves and safety glasses at all times when removing luminaire from carton, installing, servicing or performing maintenance.
- Avoid direct eye exposure to the light source while it is on.
- Account for small parts and destroy packing material, as these may be hazardous to children.

CAUTION: RISK OF FIRE

- Keep combustible and other materials that can burn away from luminaire and lamp/lens.
- MIN 90°C SUPPLY CONDUCTORS.

Operating characteristic:

Voltage input: 120/277V 50/60 Hz

Operating temp: -40°F to 104°F

Models: MLVT Series

Included in the box:

- LED Troffer Fixture
- Instructions

Accessories sold separately:

- Flange Kit: ML14G4FK / ML22G4FK / ML24G4FK
- Surface Mount Kit: MLVTP14SMK / MLVTP22SMK / MLVTP24SMK
- Cable Kit: MLG4CHK / ML2G4CHK

MaxLite® ArcMax (MLVT)



Setting Wattage & Color Temperature

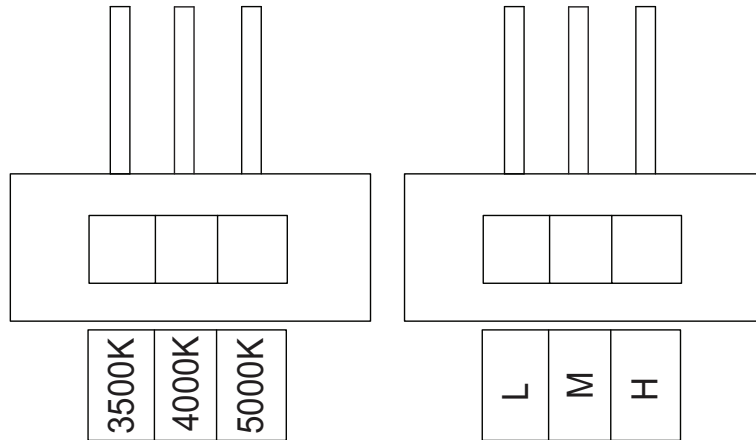
Note: Applicable to models ending in WCS only. Models are set to lowest wattage and 4000K.

Color settings:

Left, stands for 3500K;
 Middle, stands for 4000K;
 Right, stands for 5000K;

Wattage settings:

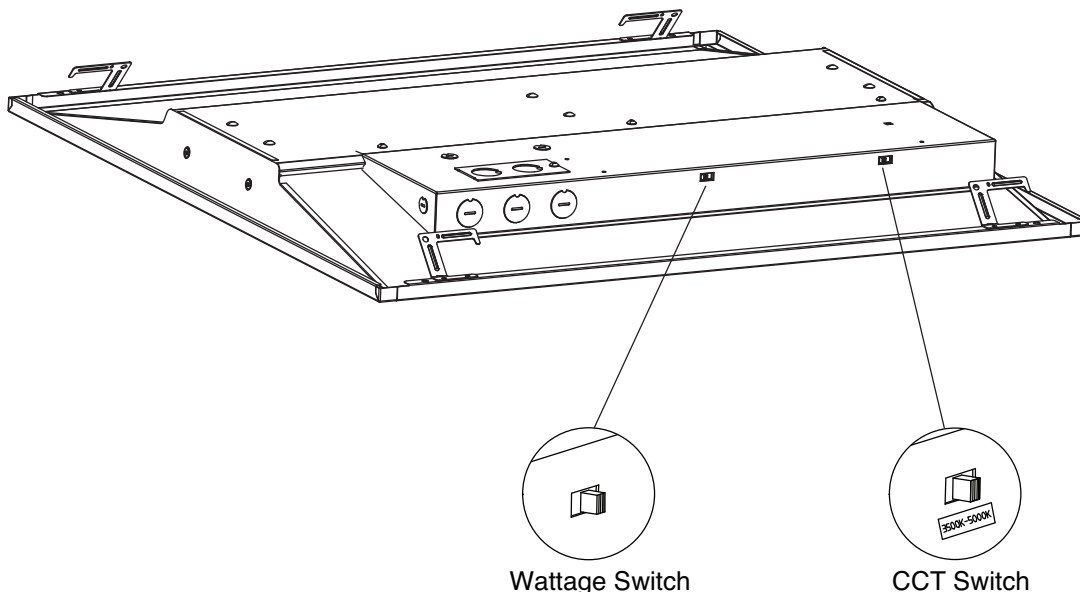
Left, stands for Low;
 Middle, stands for Medium;
 Right, stands for High;



Adjust the color temperature and lumen output respectively by using the two DIP switches. Each DIP switch is accommodated with 3 options (left, middle and right), corresponding to 3 color temperatures and 3 power options respectively. Use these to select the desired color temperature and lumen output combination.

Factory Settings: 30W/5000K

1. DIP switches are located onto the side of the fixture.
2. Select a wattage and color temperature by sliding switch left or right to the desired value.



MaxLite® ArcMax (MLVT)

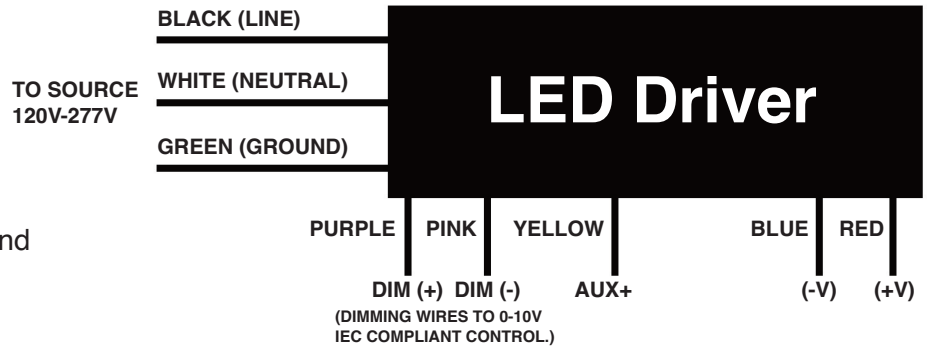


General Wiring Diagram

CAUTION: Turn off electrical power at fuse or circuit breaker box before wiring fixture to the power supply.

Connecting panels to AC source supply:
All units must be individually connected to the AC supply. (120-277 VAC)

Black = Line, White = Neutral, Green = Ground



Installation & Operation

1. Remove the original ceiling tile for the troffer.
2. Bend (4) grid clip 90° degrees on each corner. (Fig. 1)
3. Install the luminaire into the ceiling T-grid system. Ensure that luminaire sets snugly in T-grid system. Ensure that all luminaires in an area are oriented in the same direction. (Fig. 2)
4. Use a hanger wire to tie off appropriately in accordance with local building codes (screws and hanger wires supplied by others). (Fig. 3)
5. Remove electrical access plate and remove necessary knockouts from access plate. Use appropriate conduit connectors as required by code to attach electrical supply cable to the access plate.
6. Connect wires as shown in General Wiring Diagram by using appropriate UL-approved wire connectors as required by code. Push all wires back into the splice box. Attach the wiring access cover plate. (Fig. 4)

Figure 1

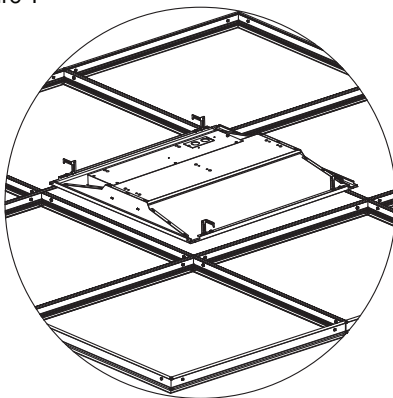


Figure 2

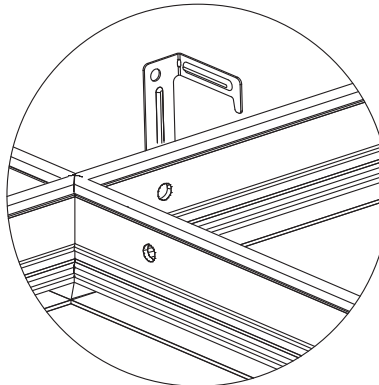


Figure 3

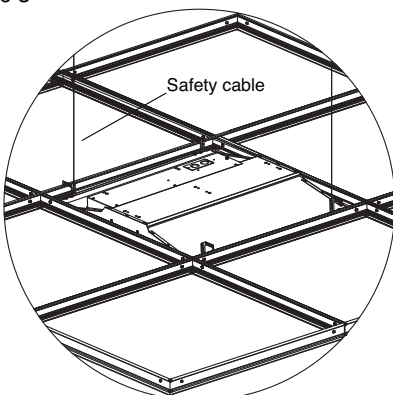
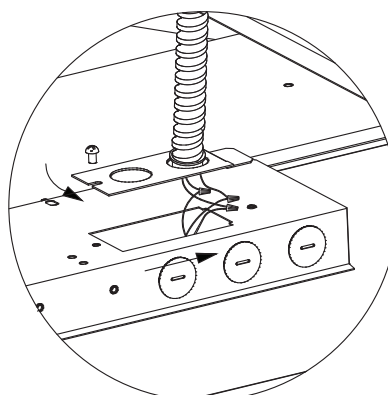


Figure 4

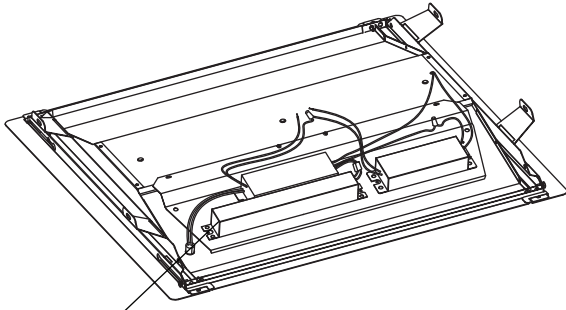




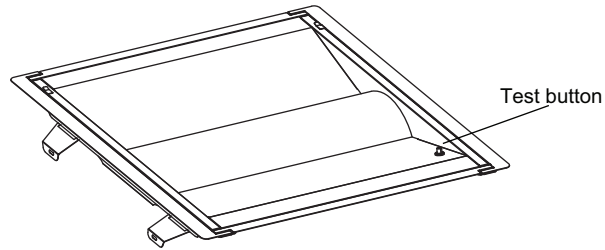
MaxLite® ArcMax (MLVT)

Additional Accessories

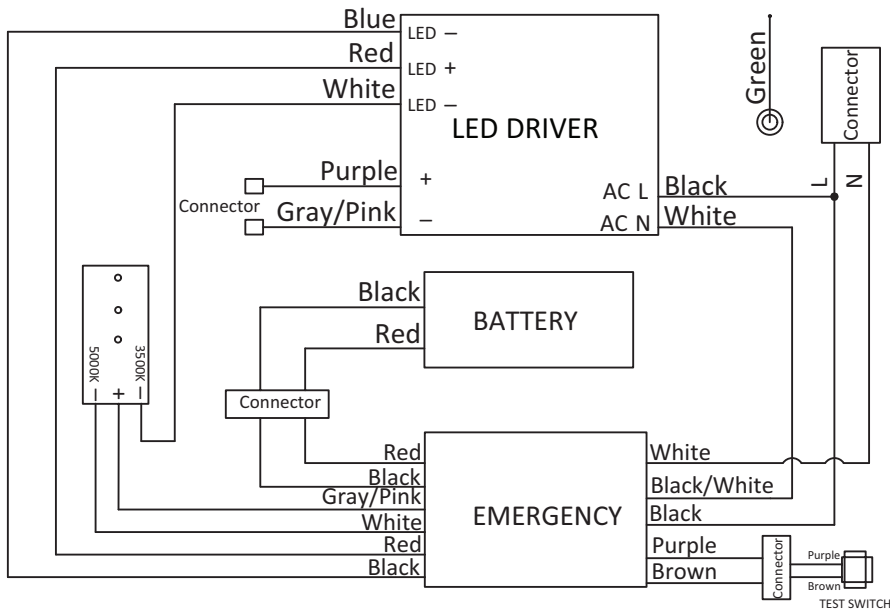
Emergency Battery Back-up:



Emergency Battery



Test button





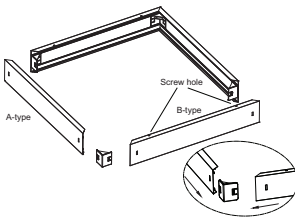
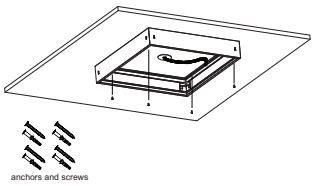
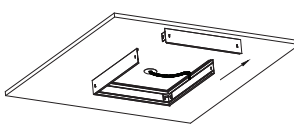
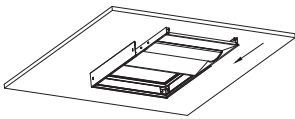
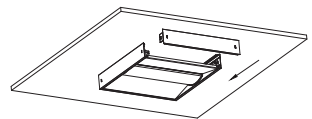
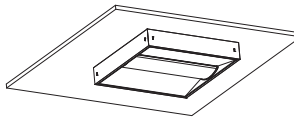
MaxLite® ArcMax (MLVT)

Surface Mount Installation (Sold Separately)

Surface mount kits sold separately:

- MLVTP14SMK • MLVTP22SMK • MLVTP24SMK

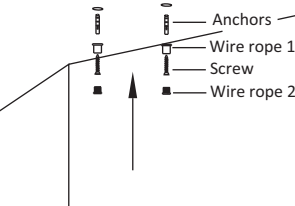
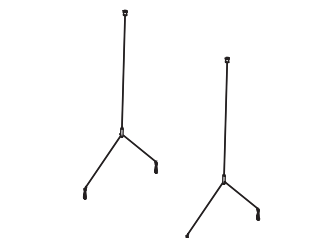
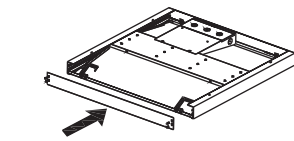
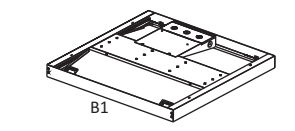
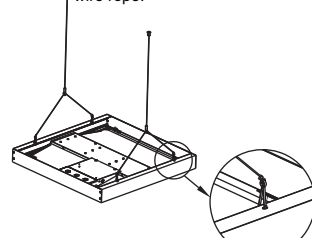
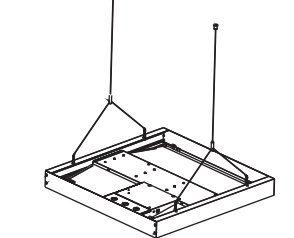
(Not for use on EM models)

<p>1 1. Connect A-type and B-type frames with plastic connectors. Assemble the entire surface mount frame.</p> 	<p>2 2. Attach the square frame as a positioning ruler to the ceiling, mark the screw holes, and secure the frame to the ceiling.</p> 	<p>3 3. Remove an A-type frame.</p> 
<p>4 4. Make wiring connection to the main power according to local code and insert the fixture into the frames.</p> 	<p>5 5. Replace the rest A-type frame into the slots, make sure it gets locked tightly by the connectors.</p> 	<p>6 6. Installation is complete. The fixture is ready to power on.</p> 

Surface Mount & Cable Installation (Sold Separately)

Cable kits sold separately:

- MLG4CHK • ML2G4CHK

<p>1 1. Drill two holes into the ceiling and put the anchors into the hole. Next, insert the wire rope and screw.</p> 	<p>2 2. Fasten the wire rope to the ceiling.</p> 	<p>3 3. Push the luminaire up into the frame seamlessly.</p> 
<p>4 4. Add screw at B1.</p> 	<p>5 5. Hook the four holes of the frame with the four hooks of the wire rope.</p> 	<p>6 6. Installation is complete.</p> 



MaxLite® ArcMax (MLVT)

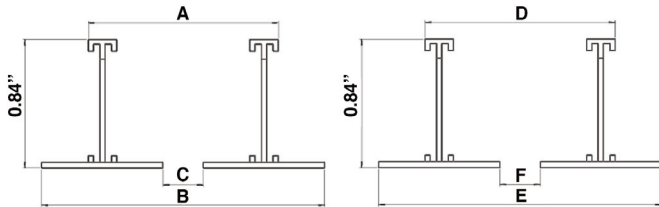
Flange Installation

Flange sold separately:

- ML14G4FK • ML22G4FK • ML24G4FK

The Recess Troffer Flange Mounting Kit is designed for recess installation in drywall ceiling applications.

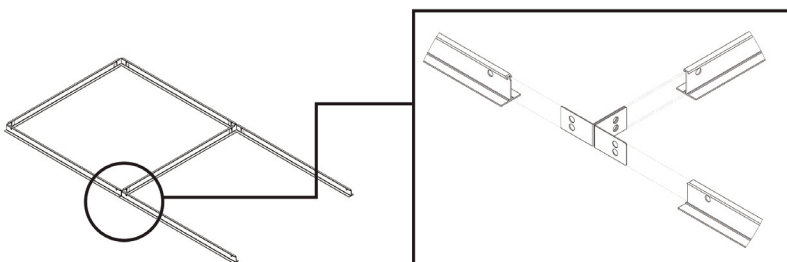
Dimensions



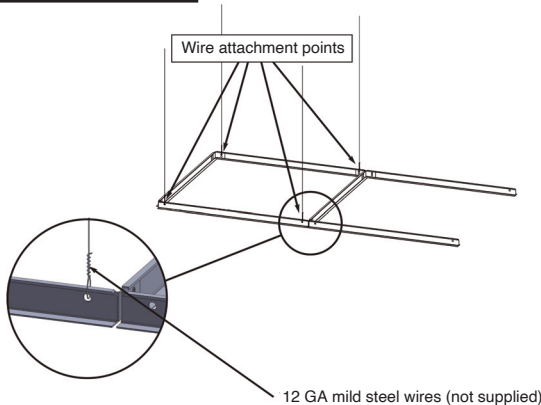
Item #	Flange Kit Size After Assembly (inches)						Ceiling Cut Out Size (inches)	
	A (Width)	B (Width)	C (Width)	D (Length)	E (Length)	F (Length)	A+1/4" (Width)	D+1/4" (Length)
ML14G4FK	12.84"	13.5"	11.35"	48.66"	49.36"	47.2"	13.09"	48.91"
ML22G4FK	24.65"	25.31"	23.16"	24.65"	25.3"	23.1"	24.90"	24.90"
ML24G4FK	24.65"	25.31"	23.16"	48.66"	49.36"	47.2"	24.90"	48.91"

Installation Instructions

1. For installation in plaster ceilings, cut an opening of the appropriate size, and then connect the panel light to an incoming power line.
2. Rotate the panel light by 45 degrees.
3. Pass the panel through the ceiling surface.
4. Lay in the panel light on the ceiling or grid.



Wire Support



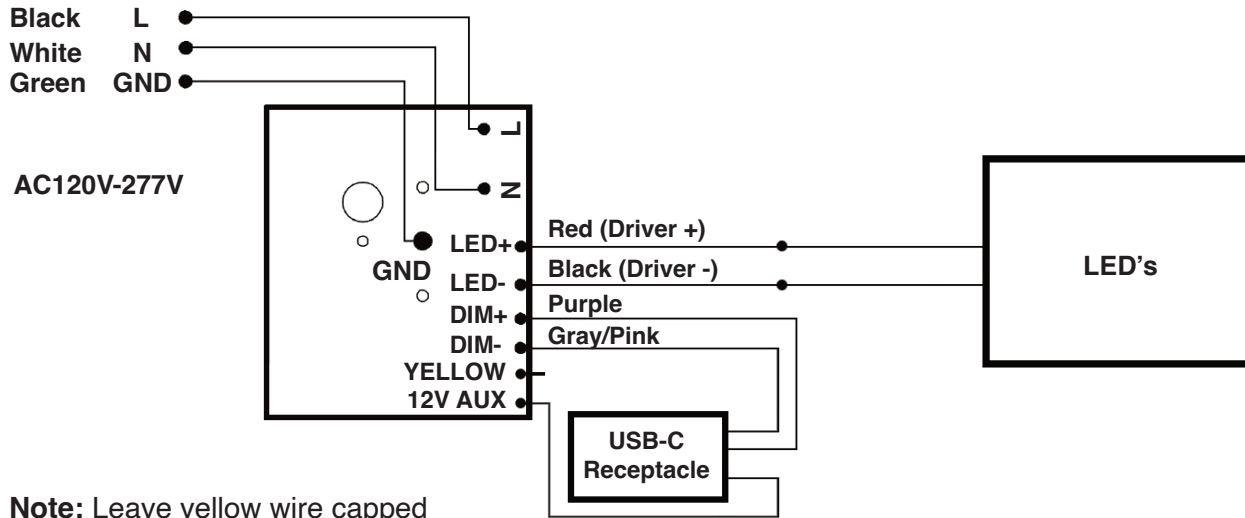
MaxLite® ArcMax (MLVT)



Controls Ready (CR) Model Standard Wiring Diagram

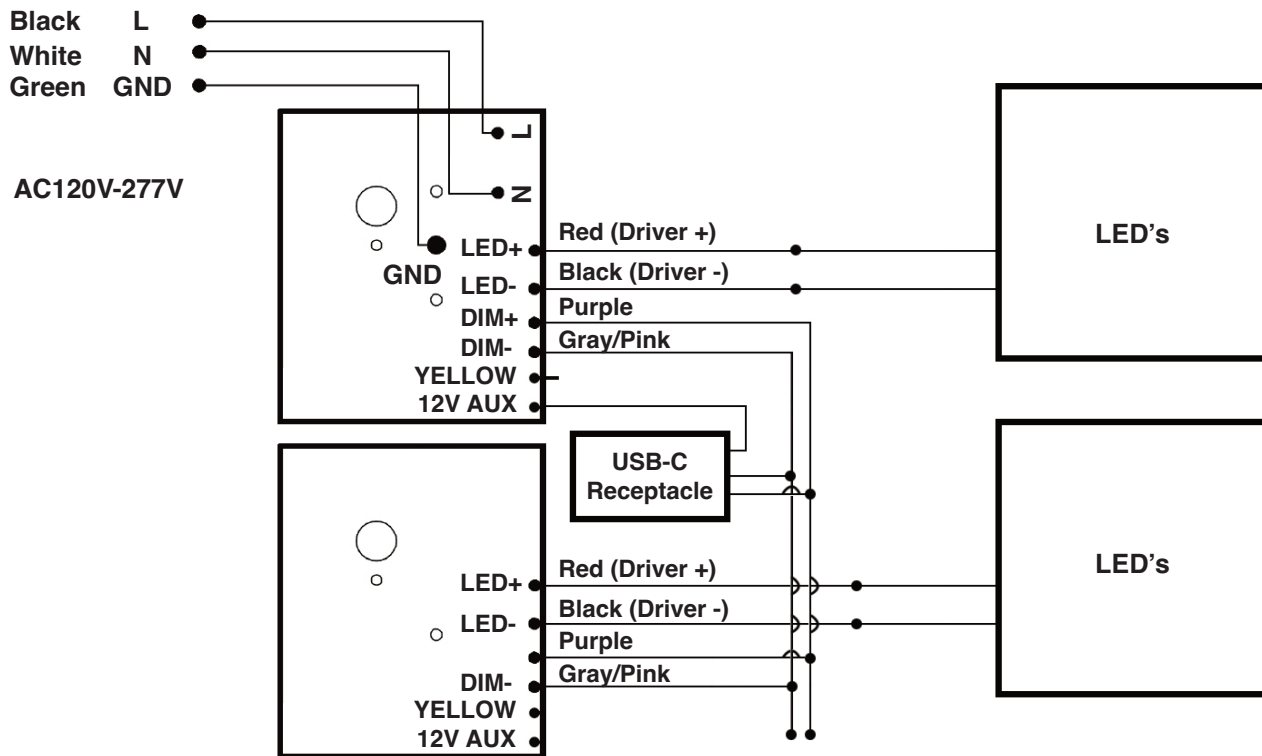
⚠ WARNING

Risk of fire or electric shock, installation requires knowledge of the lighting luminaires electrical systems. If not qualified, do not attempt installation and contact a qualified electrician.



Note: Leave yellow wire capped

Controls Ready (CR) Model Daisy-Chained Wiring Diagram



Note: Leave yellow wire capped

- Remove Dim+ and Dim- from the USB-C receptacle from the Child-Fixtures to connect to the Dim+, Dim- of the parent fixture.
- The USB-C receptacle will no longer function on the Child-Fixtures.
- No more than 8 fixtures total when daisy chaining.

MaxLite® ArcMax (MLVT)



c-Max™ node Installation Instructions (Applicable only on CR models)

1. Remove the sensor cover, silicone plugs from the USB-C receptacle and the screw hole (see Fig. 2).
 2. Plug the c-Max™ into the USB-C receptacle via the USB connection (see Fig. 3).
 3. Secure the c-Max™ node in place by fastening the included M3 button head screw with a Hex (Allen) key (not included). Once the screw is secured, cover it with the included silicone cap (see Fig. 4 - drawing for illustration only, actual screw may look different.)
 4. Place sensor cover (included) to complete installation of sensor. (see Fig. 5)
- Note:** For samples including a hex screw, use a 2.5mm Allen key or SAE equivalent 3/32.
Note: In motion sensor models, the USB-C receptacle if present would no longer be functional.
Note: Appropriate sensor cover must be used for step 4. (see Fig. 5)

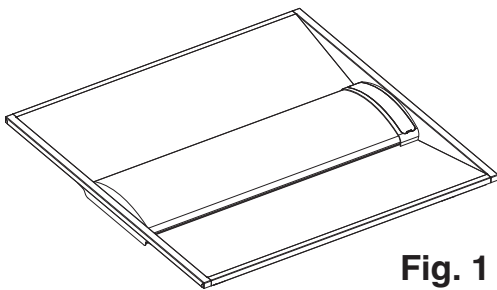


Fig. 1

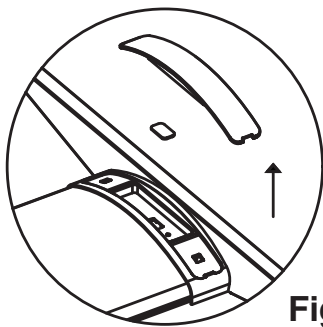


Fig. 2

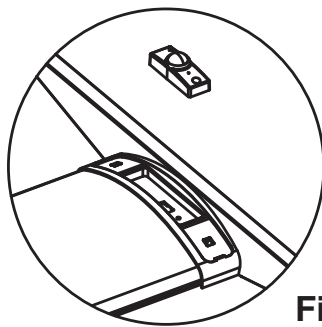


Fig. 3

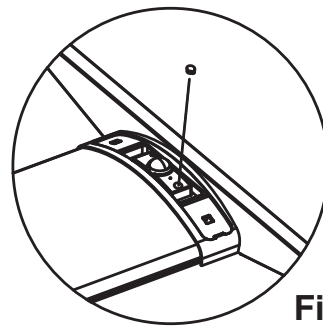


Fig. 4

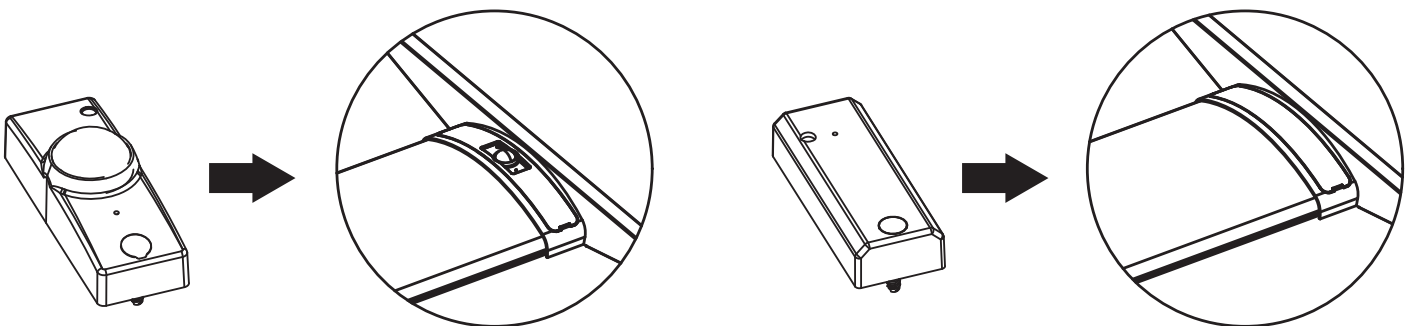


Fig. 5

MaxLite® ArcMax (MLVT)**Warranty Information****10-Year standard warranty with labor allowance***

(see terms at www.maxlite.com/warranties)

*Warranty Limitations: Product must be rated for application per the Product Data Sheet (PDS); operated ≤16 hrs; in ambient temperatures -4°F to 77°F.

*Up to \$25/unit; registration required. Additional coverage may be available for purchase; contact MaxLite.

*Excludes EM/MS versions; component warranty applies.

*If ambient temperatures fall outside the -4°F to 77°F range; product is warranted for 5 years according to the operating temperature range specified on the PDS.

Limitation of Liability

THE FOREGOING WARRANTY IS EXCLUSIVE, AND IS THE SOLE REMEDY FOR ANY AND ALL CLAIMS, WHETHER IN CONTRACT, IN TORT OR OTHERWISE ARISING FROM THE FAILURE OF PRODUCT AND IS IN LIEU OF ALL OTHER WARRANTIES, EXPRESS OR IMPLIED, INCLUDING ALL WARRANTIES OF MERCHANTABILITY OR FITNESS FOR A PARTICULAR PURPOSE, WHICH WARRANTIES ARE HEREBY EXPRESSLY DISCLAIMED TO THE EXTENT PERMITTED BY LAW AND, IN ANY EVENT, SHALL BE LIMITED TO THE WARRANTY PERIOD SPECIFIED ABOVE. THE LIABILITY OF MAXLITE SHALL BE LIMITED TO THE TERMS OF THE EXPRESS WARRANTY SET FORTH HEREIN. IN NO EVENT WILL MAXLITE BE LIABLE FOR ANY SPECIAL, INCIDENTAL OR CONSEQUENTIAL DAMAGES INCLUDING, WITHOUT LIMITATION, DAMAGES RESULTING FROM LOSS OF USE, PROFITS, BUSINESS OR GOODWILL, LABOR COSTS, REMOVAL OR INSTALLATION COSTS, DECREASE IN THE LIGHT OUTPUT OF THE LAMP, AND/OR DETERIORATION IN THE LAMP'S PERFORMANCE, WHETHER OR NOT MAXLITE HAS BEEN ADVISED OF THE POSSIBILITY THEREOF. UNDER NO CIRCUMSTANCES SHALL MAXLITE'S ENTIRE LIABILITY FOR A DEFECTIVE PRODUCT EXCEED THE PURCHASE PRICE OF THAT PRODUCT. WARRANTY SERVICES PROVIDED UNDER THESE TERMS AND CONDITIONS DO NOT ENSURE THE UNINTERRUPTED OPERATION OF PRODUCTS; MAXLITE SHALL NOT BE LIABLE FOR DAMAGES CAUSED BY ANY DELAYS INVOLVING WARRANTY SERVICE.

This Limited Warranty gives you specific legal rights and you may also have other rights that may vary from state to state. Because some states or jurisdictions do not allow the exclusion or limitation of liability for consequential or incidental damages, this limitation may not apply to you.