

## ENOCEAN WIRELESS OCCUPANCY SENSORS WALL & CEILING MOUNTED



WALL MOUNTED



CEILING MOUNTED

### PRODUCT DESCRIPTION:

The wireless occupancy sensors enable a new level of energy saving control for rooms, hallways, and other common areas. The sensors use radio frequency technology, communicating wirelessly with other EnOcean-enabled devices to turn off lights and electrical loads when a space has been unoccupied for a set period of time. Because of no additional wiring, installation can be completed in a matter of minutes. In addition, the sensors are self-powered by harvesting energy from indoor light, thus eliminating the need for periodic battery changes.

### FEATURES:

- Sends wireless signals to receiving devices when motion is detected (902MHz)
- Harvest indoor light to power the sensor and wireless communications
- 2 available versions provide for wall, corner, or ceiling mount
- Overlap with other sensors for enhanced occupancy tracking
- Passive Infrared (PIR) motion sensor with 360 degree viewing angle lens for maximum efficiency in different room settings
- Wall mount comes with both wide angle and long range lens options for maximum efficiency and flexibility in different room settings.
- Built-in tests function to confirm operation at installed location
- Supplemental battery or alternative power supply options for extreme low-light conditions. If alternative power options are needed, contact MaxLite for available options
- Clean, contemporary styling making it an attractive addition to any décor
- Supports California Title 24
- 5-year warranty

### INTEROPERABLE ENOCEAN PRODUCTS:

| PRODUCT                          | MODEL NUMBER   |
|----------------------------------|----------------|
| Gateway Commissioning Software   | GTWENOCNWC300U |
| LED Relay Node                   | REENOCNLEDRU   |
| Wireless Daylight Sensor         | MSENOCNELLSU   |
| Ceiling Mounted Occupancy Sensor | MSENOCNESCUCU  |
| Wall Mounted Occupancy Sensor    | MSENOCNESCWSU  |
| Wall Switch-Double Paddle Rocker | WSENOCNEDRPU   |
| Wall Switch-Single Paddle Rocker | WSENOCNESRPU   |

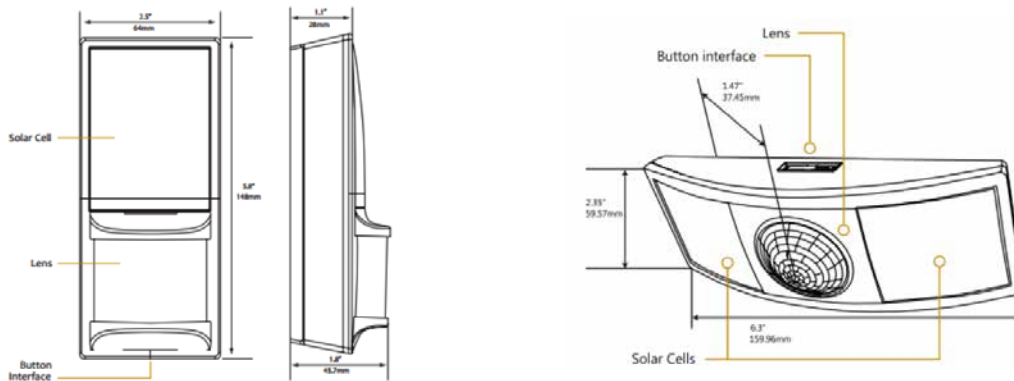
### ORDERING\*:

| APPLICATION   | ORDER CODE | MODEL         |
|---------------|------------|---------------|
| Wall Mount    | 103507     | MSENOCNESCWSU |
| Ceiling Mount | 103508     | MSENOCNESCUCU |

\*Sensors require EnOcean Gateway Commissioning USB and LEDR pairing for operating fixtures

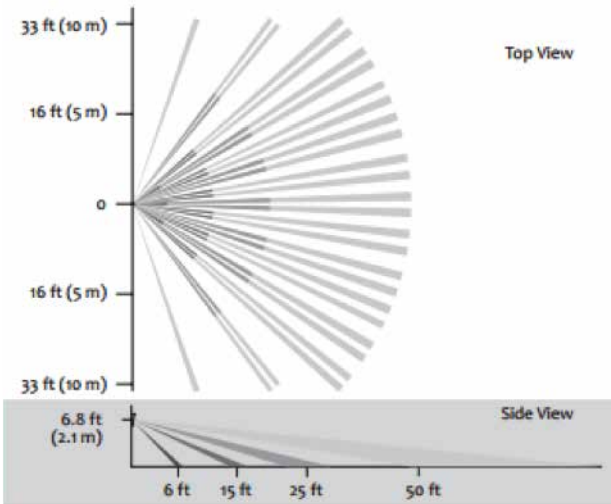
| SPECIFICATIONS:                          |  | MSENOCNEOSWU  | MSENOCNEOSCU  |
|--|--|---|---|
|  |  | WALL MOUNTED  | CEILING MOUNTED   |
| ITEM                                     | SPECIFICATION                          | DETAILS   |   |
| <b>ELECTRICAL &amp; PHYSICAL ASPECTS</b> | Power Supply                           | Indoor light energy harvesting                            | Indoor light energy harvesting                            |
|  | RF Transmission Range                  | *80 ft.   | *80 ft.   |
|  | Motion Sensing Range                   | *50ft. wide angle(default) / 100ft. long range lens       | *34 ft.   |
|  | Startup Charge Times*                  | *operation from empty energy storage                      | *operation from empty energy storage                      |
|  | First Motion Transmission/linking      | 5 minutes @ 200 lux                                       | 5 minutes @ 200 lux                                       |
|  | Motion LED Blink Light/Walk Test Modes | 1.5 hours @ 2000 lux                                      | 1.5 hours @ 2000 lux                                      |
|  | Sustaining Charge Time                 | 3 hours per 24 hours @ 200 lux                            | 3 hours per 24 hours @ 200 lux                            |
|  | Time to Full Charge*                   | Approx. 25 hours @ 200 lux                                | Approx. 25 hours @ 200 lux                                |
|  | Operating Life in Total Darkness       | 80 hours (after full charge)                              | 80 hours (after full charge)                              |
|  | Minimum Operating Light                | 50 lux (for auto-off only)                                | 50 lux (for auto-off only)                                |
|  | Motion Transmission Interval           | 2 minutes   | 2 minutes   |
|  | Unoccupied Transmission                | 10 and 30 mintes since last motion                        | 10 and 30 mintes since last motion                        |
|  | RF Standard                            | EnOcean 902 MHz (IEEE 802.15.4)                           | EnOcean 902 MHz (IEEE 802.15.4)                           |
|  | Heartbeat Transmission Interval        | Disabled by default<br>Enabled= heartbeat @ 1 hr interval | Disabled by default<br>Enabled= heartbeat @ 1 hr interval |
| <b>PHYSICAL ASPECTS</b>                  | Dimensions                             | 5.83" L x 2.52" W x 1.8" D                                | 6.30" L x 2.35" W x 1.47" D                               |
|  | Weight                                 | 4.09 oz.  | 4.4 oz.   |
|  | Mounting Height                        | 6-8 feet recommended                                      | 7-10 feet recommended                                     |
|  | Environment                            | Indoor use only   | Indoor use only   |
|  |  | 14° to 104°F<br>20% to 95% relative humidity              | 14° to 104°F<br>20% to 95% relative humidity              |
|  | Agency Compliance                      | FCC, IC, RoHS, CE, R&TTE, UL                              | FCC, IC, RoHS, CE, R&TTE, UL                              |

\*Range is dependent on clear line of sight and any obstacle or interference in space may cause range to vary.

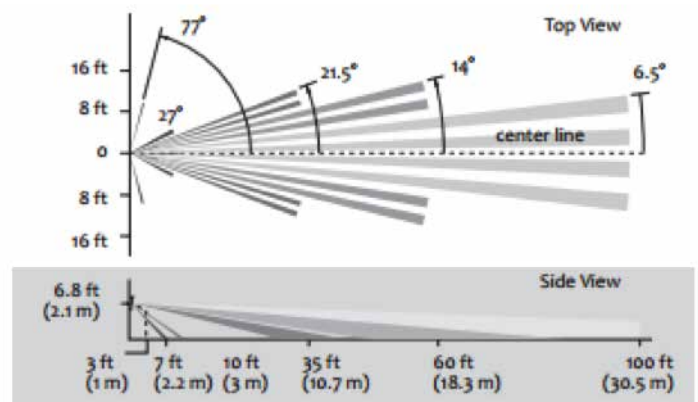


**WALL MOUNTED COVERAGE PATTERN:**

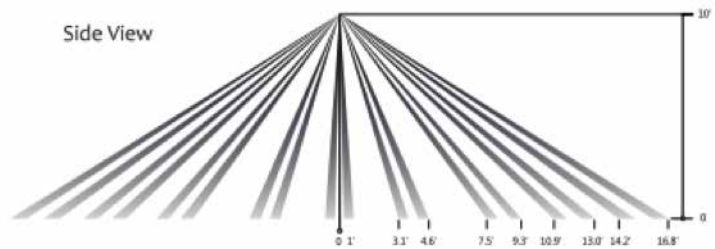
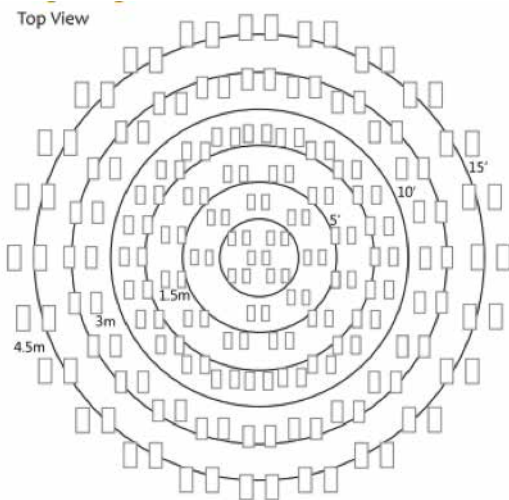
**WIDE RANGE LENS**



**LONG RANGE LENS**



**CEILING MOUNTED COVERAGE PATTERN:**



To provide coverage for very high ceilings, a wall sensor can be incorporated in the plan for complete coverage.