

PROJECT NAME: _____ CAT. #: _____
 NOTES: _____ FIXTURE SCHEDULE: _____

Slim Floods (200-300W) Additional wattages available on separate sheet



200W
Slipfitter Mount



300W
Yoke Mount

Product Description:

The MaxLite Slim Flood Light family delivers high performance in a small and price-effective package. All models are CCT and wattage selectable. Choose between a Yoke or Slipfitter mount. A 7-pin NEMA twist lock receptacle with shorting cap is included standard. In addition there is a control base which allows for field installed controls.

Features:

- Wattage and CCT selectable
- Medium and Wide lenses available

Installation:

- Models available with either a knuckle slipfitter or yoke mount

Construction:

- Die cast aluminum housing with corrosion resistant powder coat paint
- Shatter resistant tempered glass lens

Controls:

- 7-pin twist lock receptacle with shorting cap included
- Control base for field installable controls included

Ordering Information

FAMILY	WATTAGE	HOUSING	VOLTAGE	DISTRIBUTION	-	WATTAGE & CCT	COLOR	MOUNTING	CONTROLS
MSF = Slim Flood	200 = 200W (200/180/150) 300 = 300W (300/280/260)	E = Low EPA	U = 120-277V H = 277-480V	W = Wide M = Medium	-	WCS = Wattage/ CCT Selectable <i>See spec chart for lower wattage settings</i>	B = Bronze <i>Contact MaxLite for additional finishes</i>	K = Slipfitter Knuckle Y = Yoke	CBPR7 = Controls Base for HBE controls, 7-pin twist lock receptacle with shorting cap <i>Both included standard</i>

DLC 5.1 Listing

Model Number	DLC Product ID	General Application	DLC Category
MSF200EHM-WCS[ALL OPTIONS]	S-Q30V1D	High Output	Architectural Flood and Spot Luminaires
MSF200EHW-WCS[ALL OPTIONS]	S-GCTN8D	High Output	Architectural Flood and Spot Luminaires
MSF200EUM-WCS[ALL OPTIONS]	S-Z6KRFB	High Output	Architectural Flood and Spot Luminaires
MSF200EUW-WCS[ALL OPTIONS]	S-G5G5QD	High Output	Architectural Flood and Spot Luminaires
MSF300EHM-WCS[ALL OPTIONS]	S-NW7LZ7	Very High Output	Architectural Flood and Spot Luminaires
MSF300EHW-WCS[ALL OPTIONS]	S-2F5RIK	Very High Output	Architectural Flood and Spot Luminaires
MSF300EUM-WCS[ALL OPTIONS]	S-D588PV	Very High Output	Architectural Flood and Spot Luminaires
MSF300EUW-WCS[ALL OPTIONS]	S-OZBTM2	Very High Output	Architectural Flood and Spot Luminaires



5-year standard warranty (further details available at www.maxlite.com/warranties) Product may be eligible for a warranty extension to 10 years, for an additional fee. Contact MaxLite for details.

Slim Floods (200-300W) Additional wattages available on separate sheet

Lumens Range - Universal 120-277

Model Number	Wattage	Lumens	Lens Type
MSF200EUM-WCS	150W	21,300-22,500	Medium
MSF200EUM-WCS	180W	25,600-27,000	Medium
MSF200EUM-WCS	200W	28,400-30,000	Medium
MSF200EUW-WCS	150W	21,000-22,300	Wide
MSF200EUW-WCS	180W	25,300-26,800	Wide
MSF200EUW-WCS	200W	28,200-29,900	Wide
MSF300EUM-WCS	260W	34,500-36,700	Medium
MSF300EUM-WCS	280W	37,200-39,600	Medium
MSF300EUM-WCS	300W	39,200-41,700	Medium
MSF300EUW-WCS	260W	34,500-36,600	Wide
MSF300EUW-WCS	280W	37,100-39,400	Wide
MSF300EUW-WCS	300W	39,100-41,600	Wide

Lumens Range - High Voltage 277-480V

Model Number	Wattage	Lumens	Lens Type
MSF200EHM-WCS	150W	21,300-22,500	Medium
MSF200EHM-WCS	180W	25,600-27,000	Medium
MSF200EHM-WCS	200W	29,200-30,900	Medium
MSF200EHW-WCS	150W	20,900-22,100	Wide
MSF200EHW-WCS	180W	25,100-26,500	Wide
MSF200EHW-WCS	200W	28,700-30,000	Wide
MSF300EHM-WCS	260W	35,000-37,500	Medium
MSF300EHM-WCS	280W	37,700-40,300	Medium
MSF300EHM-WCS	300W	40,000-42,900	Medium
MSF300EHW-WCS	260W	34,800-37,000	Wide
MSF300EHW-WCS	280W	37,400-39,900	Wide
MSF300EHW-WCS	300W	39,800-42,300	Wide

Accessories (SOLD SEPARATELY)

ORDER CODE	MODEL NUMBER	DESCRIPTION	IMAGE
110934	MSF200E-VISOR	SLIM FLOOD MSF200E VISOR INCLUDE HARDWARE	
110935	MSF300E-VISOR	SLIM FLOOD MSF300E VISOR INCLUDE HARDWARE	
72055	PCTL-UNV	TWIST-LOCK ELECTRONIC PHOTOCONTROL 120/208/240/277V	
1408292	PCTL-HV	TWIST-LOCK ELECTRONIC PHOTOCONTROL 480V (REQUIRES RPC FIXTURE OPTION)	
96268	MLRTLPCRSP	SHORTING CAP FOR NEMA TWIST LOCK PHOTOCELL RECEPTACLE (3, 5 OR 7 PIN) (Replacement purposes)	
111159	HBEWHIP	WHITE FLEXIBLE WIRE WHIP ADJUSTABLE TO ANY DIRECTION (REQUIRES 1PC MS-HBE-B TO INSTALL TO THE WHIP)	
109134	MS-HBE-B	MOTION SENSOR/PC, BRONZE FOR 200/300W SLIM FLOODS (REQUIRES 1PC HBE-REMOTE TO PROGRAM & 1PC HBEWHIP TO INSTALL ON)	
109135	HBE-REMOTE	REMOTE CONTROL FOR MOTION SENSOR/PC FOR 200/300W SLIM FLOODS - MINIMUM OF ONE PER PROJECT (REQUIRES 1PC MS-HBE-B & 1PC HBEWHIP TO INSTALL TO THE FIXTURE)	



300W, Slipfitter with HBEWHIP and MS-HBE-B

Slim Floods (200-300W) Additional wattages available on separate sheet

Specifications

Specifications	MSF200EUM-WCS*			MSF200EUW-WCS*		
	150W	180W	200W	150W	180W	200W
Power Consumption (W)	150W	180W	200W	150W	180W	200W
Lumens (lm) - See Lumen Range Chart on page 2	21,300-22,500	25,600-27,000	28,000-30,000	21,000-22,300	25,300-26,800	28,200-29,900
Efficacy (lm/w)	142-150	142-150	140-150	140-148	140-148	141-149
CRI	>80					
Color Temperature (K)	3000K/4000K/5000K					
Controls	7 pin twist lock receptacle with shorting cap and control base receptacle for motion sensor/PC control accessory (sold separate) standard					
Beam Type	Medium - 5H5V			Wide - 7H6V		
Voltage	120-277V, 277-480V available, 50/60Hz					
Surge Protection	6kV					
Lumen Maintenance (L70) hrs	>100,000 hours					
Housing	Die cast aluminum with corrosion resistant powder coat paint					
Lens	Shatter resistant tempered glass					
Operating Temperature	40°C/40°F - 50°C/122°F (based on outdoor dusk to dawn operation in non-hazardous applications)					
Listings	ULus, FCC					
EPA (sq ft) - 0° (Horizontal) / 90° (Vertical)	0.51/0.81					
Environment	ULus wet locations, IP65					
Weight	11lbs/5kg					
Warranty	5 Years					

* 5000K Default on CCT switch and set highest wattage



Slim Floods (200-300W) Additional wattages available on separate sheet

Specifications

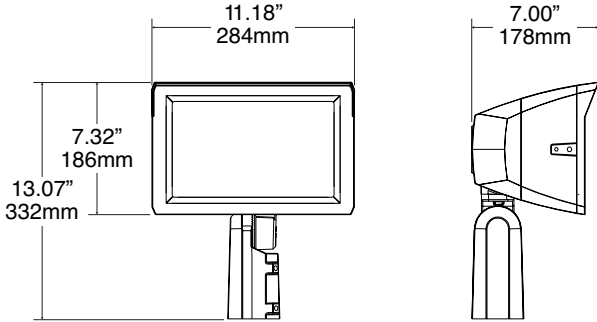
Specifications	MSF300EUM-WCS*			MSF300EUW-WCS*		
	260W	280W	300W	260W	280W	300W
Power Consumption (W)	260W	280W	300W	260W	280W	300W
Lumens (lm) - See Lumen Range Chart on page 2	34,500-36,700	37,200-39,600	39,200-41,700	34,500-36,600	37,100-39,400	39,100-41,600
Efficacy (lm/w)	132-141	132-141	130-139	132-140	132-140	130-138
CRI	>80					
Color Temperature (K)	3000K/4000K/5000K					
Controls	7pin twist lock receptacle with shorting cap and control base receptacle for motion sensor/PC control accessory (sold separate) standard					
Beam Type	Medium - 5H5V			Wide - 7H6V		
Voltage	120-277V, 277-480V available, 50/60Hz					
Surge Protection	6kV					
Lumen Maintenance (L70) hrs	>100,000 hours					
Housing	Die cast aluminum with corrosion resistant powder coat paint					
Lens	Shatter resistant tempered glass					
Operating Temperature	Change to: -40°C/40°F - 50°C/122°F (based on outdoor dusk to dawn operation in non-hazardous applications)					
Listings	ULus, FCC					
EPA (sq ft) - 0° (Horizontal) / 90° (Vertical)	0.63/1.1					
Environment	ULus wet locations, IP65					
Weight	14lbs/6.5kg					
Warranty	5 Years					

* 5000K Default on CCT switch and set highest wattage

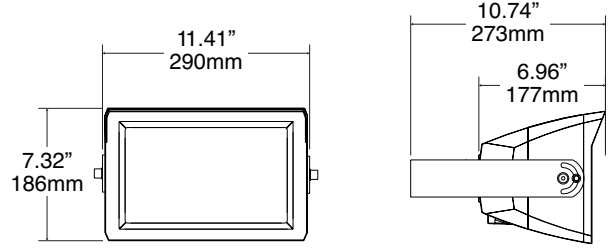
Slim Floods (200-300W) Additional wattages available on separate sheet

Dimensions

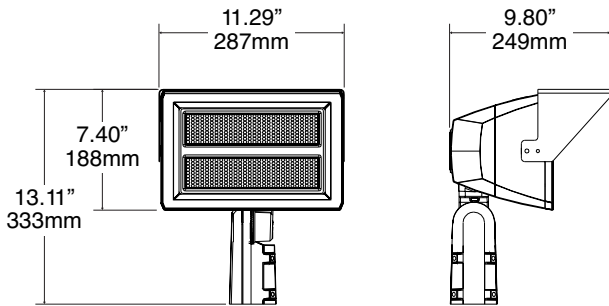
200W - Slipfitter



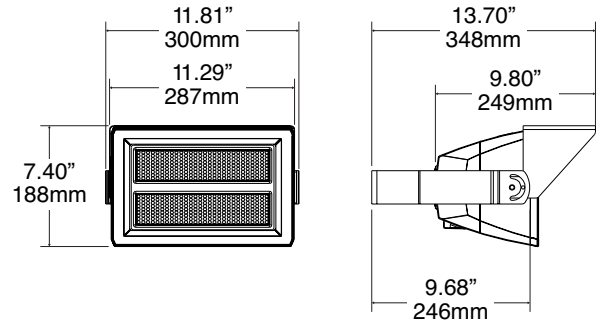
200W - Yoke



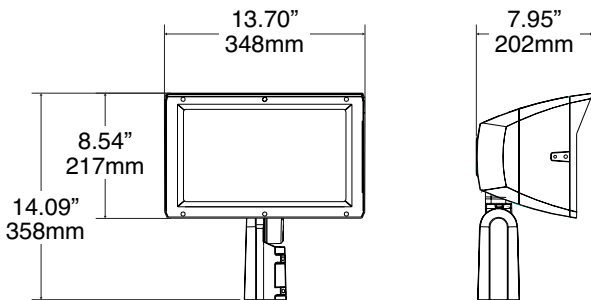
200W - Slipfitter with Visor



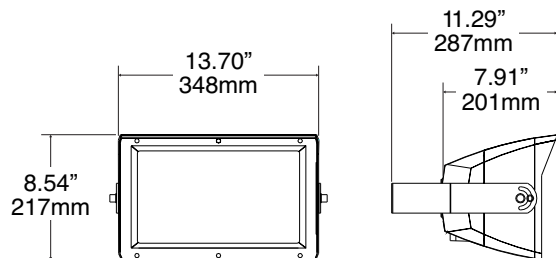
200W - Yoke with Visor



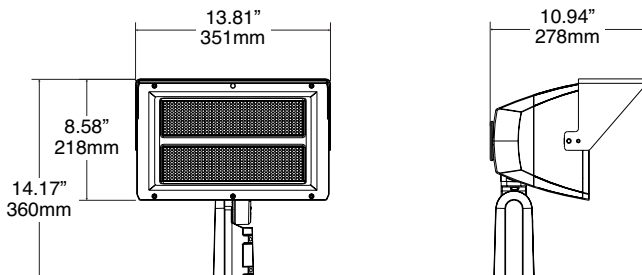
300W - Slipfitter



300W - Yoke



300W - Slipfitter with Visor



300W - Yoke with Visor

