

MaxLite® MSLO2H Series: Security Light With Motion Sensor, 2 Head - 28W



General Safety Information

WARNING: RISK OF SHOCK

House electrical current can cause painful shock or serious injury unless handled properly. For your safety, always remember to:

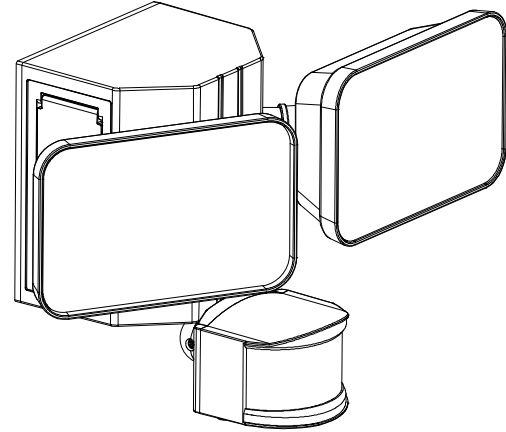
- Turn off the power at the fuse or circuit breaker box before you install the LED light fixture.
- This LED light fixture is designed for use in a circuit protected by a fuse or circuit breaker. It is also designed to be installed in accordance with local electrical codes. If you are unsure about your wiring, consult a qualified electrician or local electrical inspector, and consult your electrical code.
- Account for small parts and destroy packing material, as these may be hazardous to children.

WARNING: RISK OF INJURY

- Do not open LED light fixture. No serviceable parts inside.

WARNING: RISK OF FIRE

- Most dwellings built before 1985 have a supply wire rated 60°C. Do not overload the circuit and wiring. Consult a qualified electrician.
- This device complies with part 15 of the FCC Rules. Operation is subject to the following 2 conditions:
- This device may not cause harmful interference, and (2) this device must accept any interference received, including interference that may cause undesired operation. Note: This equipment has been tested and found to comply with the limits for a Class B digital device, pursuant to part 15 of the FCC Rules. These limits are designed to provide reasonable protection against harmful interference in a residential installation. This equipment generates, uses and can radiate radio frequency energy and, if not installed and used in accordance with the instructions, may cause harmful interference to radio communications. However, there is no guarantee that interference will not occur in a particular installation. If this equipment does cause harmful interference to radio or television reception, which can be determined by turning the equipment off and on, the user is encouraged to try to correct the interference by one or more of the following measures: Reorient or relocate the receiving antenna. Increase the separation between the equipment and receiver. Connect the equipment into an outlet on a circuit different from that to which the receiver is connected. Consult the dealer or an experienced radio/TV technician for help.
- The Ground-fault circuit interrupter (GFCI) socket carried with this product is not allowed to be used on rainy days.
- Do NOT mount below 5 feet.
- To protect against water damage and maintain proper light operation, the motion sensor adjustment controls MUST face downward.
- Not for use with dimmers or 3-way switches. If you have those in place, remove them and replace with regular electrical switches.



Pictures are for illustration purposes only. Your model may vary.

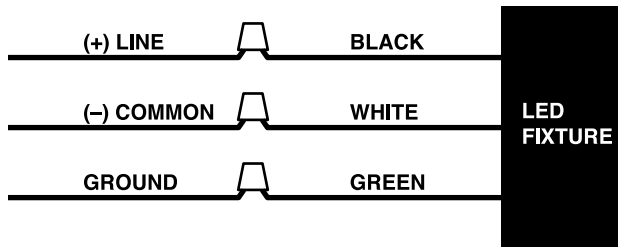
Models:

MSLO2H



MaxLite® MSLO2H Series:
Security Light With Motion Sensor, 2 Head - 28W

Wiring Diagram



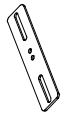
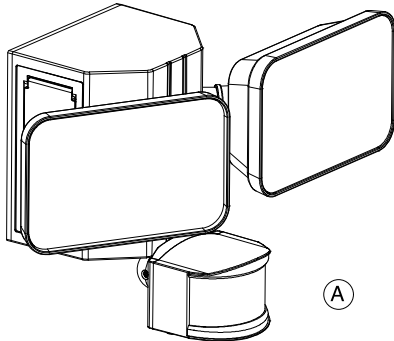
Specifications

Voltage	120V
Wattage	28 Watts
Environmental	Wet location
Housing	Plastic & Metal
Warranty	5 Years

Installation Instructions

WARNING: THIS PRODUCT MUST BE INSTALLED IN ACCORDANCE WITH THE APPLICABLE INSTALLATION CODE BY A PERSON FAMILIAR WITH THE CONSTRUCTION AND OPERATION OF THE PRODUCT AND THE HAZARDS INVOLVED.

Installation Schematic:



(B)



(C)



(D)



(E)



(F)



(G)

Part	Description	Qty.
A	LED Light Fixture	1
B	Mounting Bracket	1
C	#8x32 Mounting Screw	2
D	M4x80 Fixture Screw	1
E	M4x6 Grounding Screw	1
F	Rubber Gasket	1
G	Wire Nuts	3

Tools Required: Phillips Screwdriver; Silicone (optional, used for wet locations) PPE - Eye Protection

Note: Before beginning installation of the product, make sure all parts are present. If any part is missing or damaged, do not attempt to assembly, install or operate the product. Contact customer service for replacement parts.

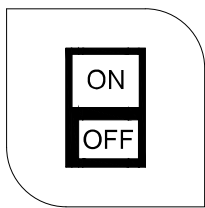


Figure 1

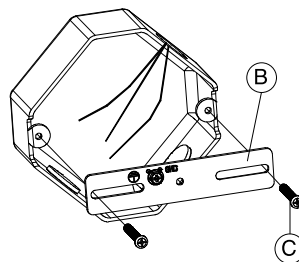


Figure 2

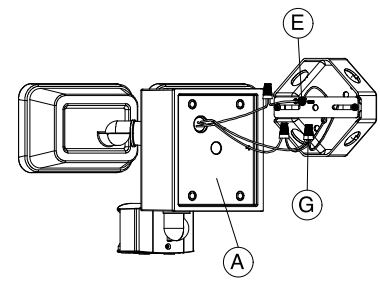


Figure 3

1. Turn off the switch and circuit breaker before installing this LED light fixture. (See Figure 1)
2. Install the **mounting bracket (B)** to the junction box (not included) by aligning the mounting screws (C) with the junction box and mounting bracket. (See Figure 2)
3. Connect the supply wires to the **LED light fixture (A)** wires using the **Wire Nuts (G)** included. (See Figure 3)
 - Black to Black (Live)
 - White to White (Neutral)
 - Green to Green (Ground)

WARNING: First use the **Ground Screw (E)** to fix the ground conductor in the junction box on the mounting bracket and then link it with the LED light fixture ground wire.

MaxLite® MSLO2H Series: Security Light With Motion Sensor, 2 Head - 28W

Installation Instructions – continued

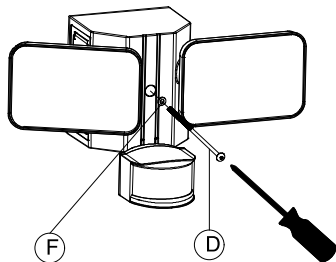


Figure 4

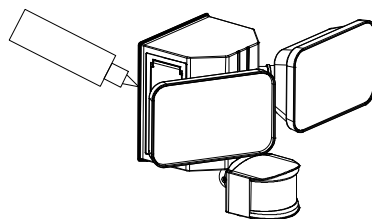


Figure 5

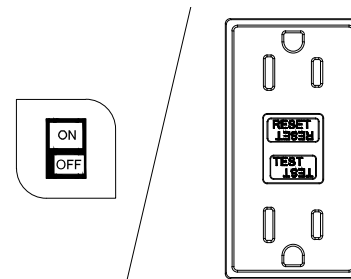


Figure 6

4. Install the LED luminaires on the mounting bracket using **fixture screws (D)** and **rubber gaskets (F)**. (See Figure 4)

WARNING: When installing the lamp, do not directly face the motion sensor to the air-conditioning port, high temperature area or area with large temperature changes.

WARNING: Do NOT allow the sensor head to touch the LED head housing. Maintain at least a 1-inch space between LED heads and sensor head.
5. For outside use, apply a sealant/caulking (not included) to seal between the wall sconce and your wall. This step is not required for indoor use. (See Figure 5)
6. Turn on the switch or circuit breaker and test whether the product is working properly. (See Figure 6)
 - a. After the power is connected, the LED lamp will light up, press the RESET button on the GFCI socket, the green indicator on the GFCI socket will light up, and plug in other electrical appliances to work.
 - b. Press the TEST button, the RESET button will spring up, and other electrical appliances will stop working. Press the RESET button again to resume power work.

The above instructions are correctly installed. If the device cannot work normally, please check whether the link is intact and correct, and whether the device has electric leakage.

 - c. It is necessary to press steps 6a and 6b to test the GFCI socket every month. If the RESET button cannot be reset, the GFCI socket should be stopped immediately. And make a disable mark.

WARNING: The Ground-fault circuit interrupter(GFCI) socket carried with this product is not allowed to be used on rainy days. Keep the protective cover tightly closed when the GFCI socket is not in use.

WARNING: The GFCI socket has its own end-of-life monitoring function, once the GFCI is properly wired and powered on, the red Led will flash once in 5 seconds, and the internal self-test circuit will start every 1-10 minutes. When the GFCI displays an alarm during operation, the red light will immediately flash and it will no longer provide ground fault circuit protection, alerting the user that the GFCI has failed and must stop using the GFCI socket immediately.

WARNING: The use of GFCI socket, the maximum current should not exceed 15A, and it is not recommended to work at full load for a long time.



**MaxLite® MSLO2H Series:
Security Light With Motion Sensor, 2 Head - 28W**

Settings & Operational Instructions

IMPORTANT: Installation should be performed by a qualified electrician.

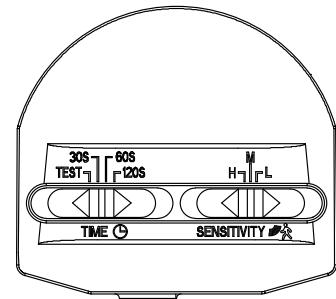
Please read and understand the entire manual prior to attempting to assemble, operate or install this product.

- To protect against water damage and maintain proper light operation, the motion sensor adjustment controls **MUST** face downward.
- Wall switch must remain ON continually for the motion detector to work.
- If motion is continually detected, then the light will remain on until after motion ceases.
- Do NOT mount below 5 feet.

Auto Motion Sensor Mode: Setting Lights-On Duration

- TEST-LEDs stay on constantly at night.
- 30S-LEDs will come on for 30 seconds after motion is detected.
- 60S-LEDs will come on for 60 seconds after motion is detected.
- 120S-LEDs will come on for 120 seconds after motion is detected.

LED lights will auto off and return to the auto motion sensor mode after illumination for a set time period. *(The LEDs do not light up during the daytime, but only at night or when it is dark enough)*

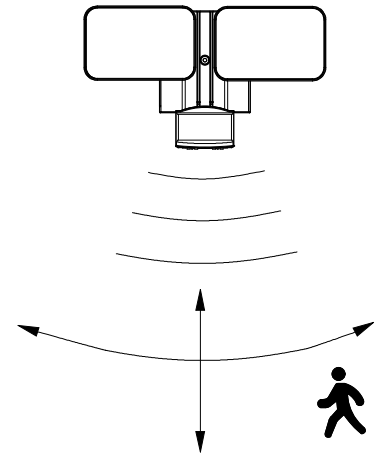


Setting Motion Detection Range

There are (3) setting modes you can select to establish the motion detection range:

- 13ft - 20ft (4m - 6m)
- 20ft - 33ft (6m - 10m)
- 33ft - 45ft (10m - 14m)

To determine which setting is best for your location and whether you need to reposition the LED heads lay down a measuring tape from light location extending outwards. Next, walk in an arc across the front of the light to set off the motion detector and turn on the light. You can also walk straight towards the light to determine the distance you require. Select the appropriate setting based on your findings.



MaxLite® MSLO2H Series: Security Light With Motion Sensor, 2 Head - 28W



Warranty Information

Maxlite Inc. warrants its products for a minimum period of **FIVE (5)** years from the earlier of the actual installation date or 90 days after the original date of purchase from a Maxlite authorized distributor/dealer (the "Warranty Period"), as follows: If a Product fails to operate during the Warranty Period as a result of defects in materials or workmanship, Maxlite will, at its option, repair it, replace it with the same or like Product.

Please refer to Maxlite's website (at <http://maxlite.com/resources/warranties>) for the complete coverage details as well as the terms and conditions of our warranty. Please note that it is NOT a requirement to register your warranty in order to initiate a warranty claim unless a Ten Year warranty has been purchased separately, or when applicable and/or purchased separately, your warranty contains a replacement labor allowance.

Limitation of Liability

THIS WARRANTY IS EXCLUSIVE, AND IS THE SOLE REMEDY FOR ANY AND ALL CLAIMS, WHETHER IN CONTRACT, IN TORT OR OTHERWISE ARISING FROM THE FAILURE OF PRODUCT AND IS IN LIEU OF ALL OTHER WARRANTIES, EXPRESS OR IMPLIED, INCLUDING ALL WARRANTIES OF MERCHANTABILITY OR FITNESS FOR A PARTICULAR PURPOSE, WHICH WARRANTIES ARE HEREBY EXPRESSLY DISCLAIMED TO THE EXTENT PERMITTED BY LAW AND, IN ANY EVENT, SHALL BE LIMITED TO THE WARRANTY PERIOD SPECIFIED ABOVE. THE LIABILITY OF MAXLITE SHALL BE LIMITED TO THE TERMS OF THE EXPRESS WARRANTY SET FORTH HEREIN. IN NO EVENT WILL MAXLITE BE LIABLE FOR ANY SPECIAL, INCIDENTAL OR CONSEQUENTIAL DAMAGES INCLUDING, WITHOUT LIMITATION, DAMAGES RESULTING FROM LOSS OF USE, PROFITS, BUSINESS OR GOODWILL, LABOR COSTS, REMOVAL OR INSTALLATION COSTS, WHETHER OR NOT MAXLITE HAS BEEN ADVISED OF THE POSSIBILITY THEREOF. UNDER NO CIRCUMSTANCES SHALL MAXLITE'S ENTIRE LIABILITY FOR A DEFECTIVE PRODUCT EXCEED THE PURCHASE PRICE OF THAT PRODUCT (EXCLUDING LABOR WARRANTY COVERAGE WHERE SPECIFICALLY OFFERED BY MAXLITE). WARRANTY SERVICES PROVIDED UNDER THESE TERMS AND CONDITIONS DONOT ENSURE THE UNINTERRUPTED OPERATION OF PRODUCTS; MAXLITE SHALL NOT BE LIABLE FOR DAMAGES CAUSED BY ANY DELAYS INVOLVING WARRANTY SERVICE.

This Warranty gives you specific legal rights and you may also have other rights that may vary from state to state. Because some states or jurisdictions do not allow the exclusion or limitation of liability for consequential or incidental damages, such limitation may not apply to you.