

PROJECT NAME: \_\_\_\_\_ CAT. #: \_\_\_\_\_  
 NOTES: \_\_\_\_\_ FIXTURE SCHEDULE: \_\_\_\_\_

## C-MAX NETWORK BRIDGE -3RD PARTY INTEGRATION NN-BRG01



### c-Max Overview

c-Max network lighting controls features a patented plug-and-play interface that allows for easy field installation of low voltage nodes and sensors to create an affordable luminaire lighting control solution. Sensors integrated with occupancy, daylight harvesting, and other control capabilities help achieve energy code compliance.

NN-BRG01 has a BLE and a WIFI hardware connection. The BLE connects to c-Max devices while the WIFI connects to 3rd party systems. It provides Modbus TCP and REST APIs simultaneously over WIFI connections.

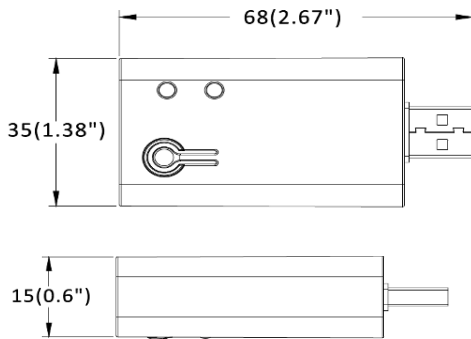
### Features

- Easy commissioning via c-Max App (IOS and Android)
- 1 NN-BRG01 device is required per zone
- BLE Wifi bridge to connect with 3rd party systems
- Powered by plugging into any USB-A port
- Based on Modbus communication protocol
- Data send and receive commands using REST API
- Support mainstream WIFI encryption, such as WPA2\_PSK
- Support both DHCP and Static IP assignment.
- 5 Year Warranty

### Ordering Information

MODEL NUMBER	DESCRIPTION	UPC	ORDER CODE
NN-BRG01	C-MAX NETWORK BRIDGE -3RD PARTY INTEGRATION	767627041099	109419

### Dimensions



### Specifications

	NN-BRG01
<b>OPERATING VOLTAGE</b>	Powered by USB-A 5V charging port
<b>FLAME RATING</b>	UL 94 V-0
<b>CONTROL TECHNOLOGY</b>	Bluetooth / WIFI
<b>BLE WIRELESS STANDARD</b>	BLE IEEE 802.15.1
<b>BLE WIRELESS FREQUENCY</b>	2.4GHz
<b>PROGRAMMING</b>	c-Max Mobile App (IOS and Android)
<b>CYBERSECURITY</b>	UL1376 Gold Rating
<b>ENCRYPTION</b>	AES 128-bit
<b>MESH RANGE</b>	100ft node-to-node and 50ft node-to-device (Commissioning)
<b>WIFI RANGE</b>	60ft
<b>FCC</b>	FCC ID: 2AZRDCMAX2021
<b>OPERATING TEMPERATURE</b>	-22°F to 131°F / -30°C to 55°C
<b>WARRANTY</b>	5 years
<b>COLOR</b>	White
<b>WEIGHT (NO BATTERY)</b>	1 oz

### Commissioning

c-Max mobile App makes it easy to pair devices, create groups, set scenes/schedules, customize dimming levels, and adjust high trim based on application needs.

Visit [www.maxlite.com/cmox](http://www.maxlite.com/cmox) for How-to-Videos and a comprehensive commissioning guide.



**5-year standard warranty** (further details available at [www.maxlite.com/warranties](http://www.maxlite.com/warranties)) Contact MaxLite for details.