

PROJECT NAME: _____ CAT. #: _____
 NOTES: _____ FIXTURE SCHEDULE: _____

Energy Monitoring Data Collector



c-Max Overview

c-Max network lighting controls features a patented plug-and-play interface that allows for easy field installation of low voltage nodes and sensors to create an affordable luminaire lighting control solution. Sensors integrated with occupancy, daylight harvesting, and other control capabilities help achieve energy code compliance.

The Energy Monitoring Data Collector (NN-EDC) uses a calculation method to compute energy consumption of the luminaires within the zone based on maximum wattage of the luminaire and the percentage dimming level of individual luminaires. The energy data is collected every 15 minutes.

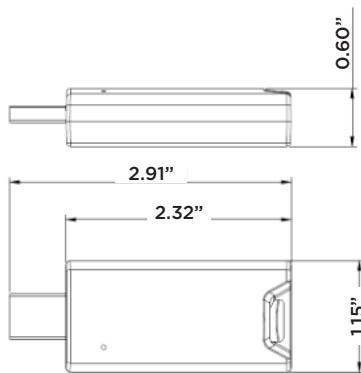
Features

- Embedded with a micro-SD card capable of storing up to 2 years worth of data
- Easy commissioning via c-Max App (IOS and Android)
- Embedded Real-time clock for time syncing for all devices in the zone
- At least 1 NN-EDC device per zone
- Can be utilized as a bridge connection between nodes
- Powered by plugging into any USB-A port
- 10-year Internal CR1220 battery to maintain the zone's real-time schedule after power outage
- Micro SD card reader for iOS and Android devices included
- 5 Year Warranty

Ordering Information

MODEL NUMBER	DESCRIPTION	UPC	ORDER CODE
NN-EDC	NETWORK NODE - ENERGY DATA COLLECTOR	767627035432	108860

Dimensions



Specifications

	NN-EDC
OPERATING VOLTAGE	Powered by USB-A 5V charging port
FLAME RATING	UL 94 V-0
CONTROL TECHNOLOGY	Bluetooth
WIRELESS STANDARD	BLE 4.2MESH IEEE 802.15.1
WIRELESS FREQUENCY	2.4GHz
PROGRAMMING	c-Max Mobile App (IOS and Android)
CYBERSECURITY	UL1376 Gold Rating
ENCRYPTION	AES 128-bit
MESH RANGE	100ft node-to-node and 50ft node-to-device (Commissioning)
FCC	FCC ID: 2AZRDCMAX2021
OPERATING TEMPERATURE	-40°F to 131°F / -40°C to 55°C
WARRANTY	5 years
COLOR	White
WEIGHT	1 oz

Commissioning

c-Max mobile App makes it easy to pair devices, create groups, set scenes/schedules, customize dimming levels, and adjust high trim based on application needs.

Visit www.maxlite.com/cmox for How-to-Videos and a comprehensive commissioning guide.



5-year standard warranty (further details available at www.maxlite.com/warranties) Product may be eligible for a warranty extension to 10 years, for an additional fee. Contact MaxLite for details.