

PROJECT NAME: _____ CAT. #: _____
 NOTES: _____ FIXTURE SCHEDULE: _____

ROUND SILVAIR NETWORK BLE NODES AND SENSORS



NN-RDMPB-SL



NN-RDB-SL

Overview:

c-Max Network Partners features additional networked lighting controls proposition that seamlessly combines MaxLite's broad c-Max controls ready luminaires with other technology partners control systems. This new wireless offering extends MaxLite's c-Max Lighting controls solutions to now include Silvaire's Bluetooth NLC and DLC 5.0 qualified system featuring a globally interoperable lighting controls ecosystem. It features USB-C based sensors and nodes based on Bluetooth NLC open standards.

Applications:

- Industrial
- Warehouses
- Schools
- Commercial
- Site Lighting
- Parking Garages/Lots
- Exterior Applications

Features:

- Luminaire Level Lighting Control (LLC) enabled with wireless Bluetooth NLC
- Simple "Plug-and-Play" Connection - Easy to install in the field with pre-installed USB-C receptacle in Maxlite Controls Ready luminaires
- Easy Commissioning with Silvaire App (Available in iOS and Android)
- Local Bluetooth Network with no gateway needed
- Occupancy/Vacancy and Daylight Harvesting/Photocell on select models
- Up to 360ft node-to-node communication range and line of sight
- Individual Addressability and/or Grouping
- Multi-level dimming: Manual ON/OFF Automatic ON/OFF, and Automatic Partial ON/OFF control capability
- Ability to create scenes for more customized dimming scenarios
- Time clock scheduling for individual lights, groups, or scenes
- Astronomical time clock scheduling available via Gateway-SL (sold separately)
- Ability to add Remote Access and Connected Services (Gateway and subscription sold separately)
- High-Trim/Tuning sets the maximum light level based on customer requirements
- Includes locking screw to resist vandalism and withstand vibration (Requires 1.5mm Allen wrench)
- Check <https://www.maxlite.com> for c-Max fixture compatibility
- 5 Year Warranty

System Highlights:

- Designed to support large-scale installations deployed in commercial environments, offers powerful commissioning, fine-tuning, and everyday management features.
- Can add upto 8,000 devices to one project
- Silvaire firmware provides enterprise-level reliability, scalability and security
- DLC NLC5 complaint with technology stack based on open wireless standards - Bluetooth NLC qualified
- Flexible access to data via in-app dashboards or API
 - Occupancy analytics and energy monitoring via Connected Lighting Services dashboard
 - Intuitive API including Occupancy, Scheduling, System monitoring and Remote control
- Intuitive web app and mobile app for easy commissioning and provisioning faster commissioning with Duplicate zone
 - Feature and ability to set zone profiles remotely
- Ability to link zones in an Area, perform OTA firmware updates via mobile app, or add gateway for advanced connected lighting services

Ordering Information

MODEL NUMBER	DESCRIPTION	UPC	ORDER CODE
NN-RDB-SL	SILVAIR NETWORK NODE ROUND BRONZE	767627074882	112649
NN-RDMPB-SL	SILVAIR NETWORK NODE ROUND, PIR MOTION SENSOR, PHOTOCELL, BRONZE	767627074745	112635

ROUND SILVAIR NETWORK BLE NODES AND SENSORS

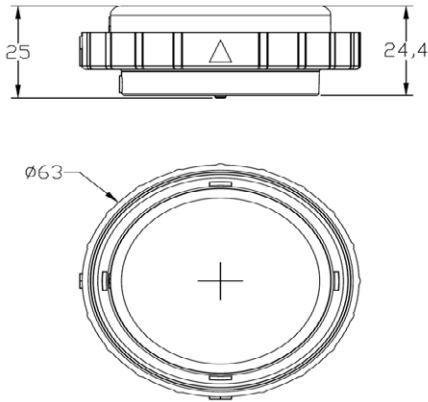
Specifications

	NN-RDB-SL	NN-RDMPB-SL
BLE CONTROL NODE	Yes	Yes
DAYLIGHT HARVEST/PHOTOCELL	No	Yes
PIR MOTION SENSOR	No	Yes
DETECTION MODE	N/A	Occupancy/Vacancy
OVERALL DIMENSIONS	Ø63mm x 25mm	Ø63mm x 48.2mm
WEIGHT	1.47oz (42g)	1.92oz (55g)
CONNECTOR PORT	USB-C	
OPERATING VOLTAGE	12-24Vdc	
OPERATING CURRENT	max 15mA	
SINKING CURRENT	max 25mA	
CONTROL OUTPUT	Analog 0-10V (Linear)	
FACTORY RESET	Magnetic Reset	
STATUS INDICATORS	Green (Network Status), Red (Sensor Detection)	
RADIO FREQUENCY	2.4GHz ± 75MHz	
WIRELESS STANDARD	Bluetooth NLC v2.30+	
PROGRAMMING	Silvair App iOS and Android	
CYBERSECURITY	ioXt Certified	
MESH RANGE	Up 360ft to node-to-node and 50ft node-to-device (Commissioning)	
IP RATING	IP65	
SAFETY	cULus Listed E511069 Light-emitting-diode Controllers	
FCC	47 CFR Part 15, Subpart C 15.247	
BQB	D066483	
OPERATING TEMPERATURE	-40°F to 130°F / -40°C to 55°C	
COLOR	Bronze	

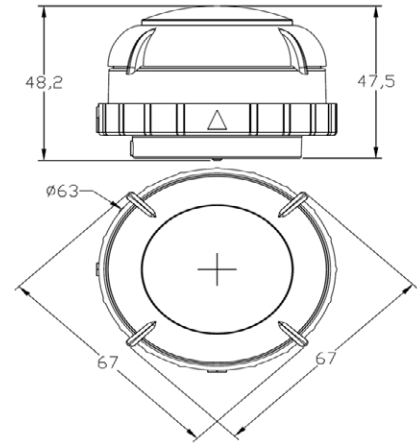
ROUND SILVAIR NETWORK BLE NODES AND SENSORS

Product Dimensions

NN-RDB-SL



NN-RDMPB-SL

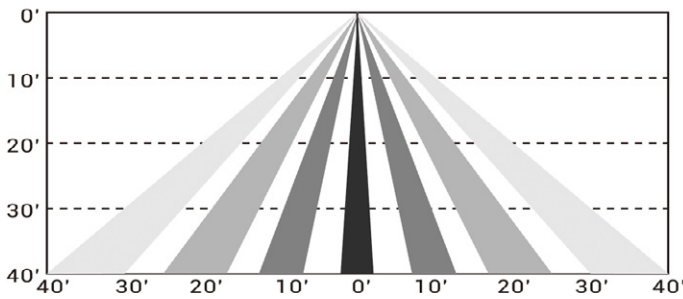


REQUIRES M1.5 ALLEN WRENCH

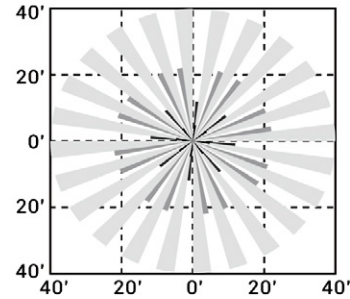
Sensor Detection Coverage

NN-RDMPB-SL

SIDE VIEW



TOP VIEW



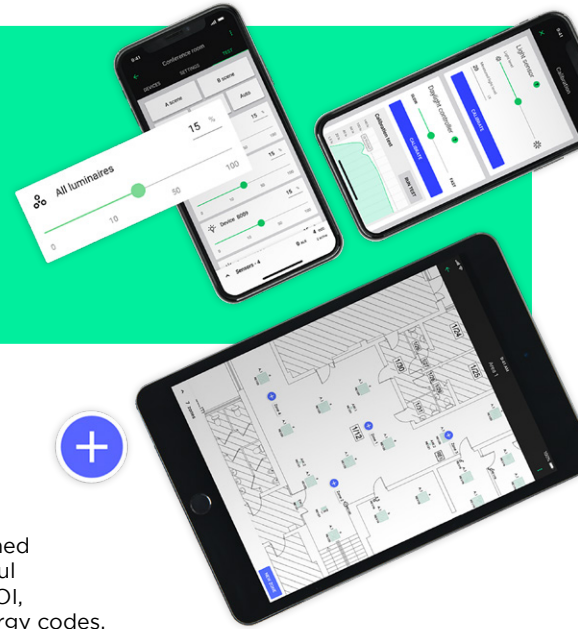
MOUNTING HEIGHT	ft (m)	10' (3)	20' (6)	30' (9.1)	40' (12.2)
MAX COVERAGE DIAMETER	ft (m)	20' (6)	40' (12.2)	60' (18.3)	80' (24.4)



ROUND SILVAIR NETWORK BLE NODES AND SENSORS

Technology Partner **SILVAIR**

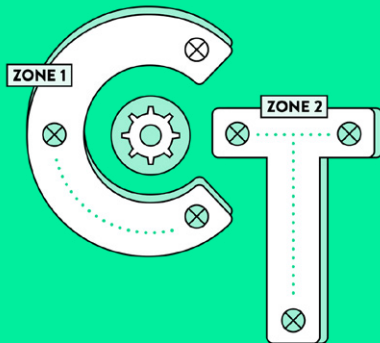
Silvaair provides a reliable lighting control technology based on the globally interoperable Bluetooth mesh standard. Whether you are a component manufacturer, a facility manager, or an energy service company, you can easily deploy our solutions to strengthen your competitive advantage and create new revenue streams.



Commissioning tools for installers

Advanced strategies have never been easier

We provide intuitive apps for standard-compliant Bluetooth mesh lighting networks. Designed to support large-scale installations deployed in commercial environments, they offer powerful commissioning, fine-tuning, and everyday management features. The bottom line is faster ROI, shortened path to advanced control strategies, and facilitated compliance with building energy codes.



Plan every detail from the comfort of your desk

Silvaair Applications

[Web App](#)

[iOS App](#)

[Android App](#)