

PROJECT NAME: _____ CAT. #: _____
 NOTES: _____ FIXTURE SCHEDULE: _____

Round Network BLE Nodes & Sensors

c-Max Overview

c-Max network lighting controls features a patent pending plug-and-play interface that allows for easy field installation of low voltage nodes and sensors to create an affordable luminaire lighting control solution. Sensors integrated with occupancy, daylight harvesting, and other control capabilities help achieve energy code compliance.

Applications:

- Site Lighting
- Parking Garages/Lots
- Exterior
- Warehouses
- Industrial Space
- Commercial

Features

- Luminaire Level Lighting Control (LLLC) enabled with wireless bluetooth technology
- Simple "Plug-and-Play" Connection - Easy to install in the field with pre-installed USB-C receptacle in Maxlite Controls Ready luminaires, Auxiliary jack to be used with BPHE2 series
- Easy Commissioning with c-Max App (Available in IOS and Android)
- Local Bluetooth Network with no gateway needed
- Choice of different devices based on your desired functionality: Occupancy, Photocell and Daylight Harvesting on select models
- Individual Addressability and/or Grouping
- Multi-level dimming: Manual ON/OFF Automatic ON/OFF, and Automatic Partial ON/OFF control capability
- Ability to create scenes for more customized dimming scenarios
- Time clock scheduling for individual lights, groups, or scenes
- High-Trim/Tuning sets the maximum light level based on customer requirements in each space
- Includes locking screw to resist vandalism and withstand vibration (USB-C models require 1.5mm Allen wrench)
- Check <https://www.maxlite.com/cmax> for c-Max fixture compatibility
- 5 Year Warranty



NN-RDW



NN-RDB



NN-RDMPB



NN-RDMSW



NNA-RDW



NNA-RDMSW

PIR Sensor Features

DAYLIGHT HARVESTING	ON/OFF
MOTION SENSING	ON/OFF
PHOTOCELL	ON/OFF
FIRST TIME DELAY	1-59 minutes/infinite
SECOND TIME DELAY	0-59 minutes/infinite
DIM LEVEL	1-100%
MOUNTING HEIGHT	10-40ft
DETECTION RANGE	80ft diameter
DETECTION HORIZONTAL PATTERN	360°
DETECTION VERTICAL PATTERN	90°

Ordering Information

MODEL NUMBER	DESCRIPTION	UPC	ORDER CODE
NN-RDW	NETWORK NODE ROUND, WHITE	767627017810	106391
NN-RDB	NETWORK NODE ROUND, BRONZE	767627011962	105897
NN-RDMSW	NETWORK NODE ROUND, PIR MOTION SENSOR, DAYLIGHT HARVESTING, WHITE	767627011979	105905
NN-RDMPB	NETWORK NODE ROUND, PIR MOTION SENSOR, PHOTOCELL, BRONZE	767627029271	108255
NNA-RDMSW	NETWORK NODE W/ AUDIO JACK, ROUND, PIR MOTION SENSOR, DAYLIGHT HARVESTING, WHITE	767627033773	108688
NNA-RDW	NETWORK NODE W/ AUDIO JACK, ROUND, BLUETOOTH, 12VDC, WHITE	767627041037	109413



5-year standard warranty (further details available at www.maxlite.com/warranties) Product may be eligible for a warranty extension to 10 years, for an additional fee. Contact MaxLite for details.



PROJECT NAME: _____ CAT. #: _____
 NOTES: _____ FIXTURE SCHEDULE: _____

Round Network BLE Nodes & Sensors

Specifications:

	NN-RDW	NN-RDB	NN-RDMSW	NN-RDMPB	NNA-RDW	NNA-RDMSW
BLE CONTROL NODE	Yes	Yes	Yes	Yes	Yes	Yes
DAYLIGHT HARVESTING	No	No	Yes	No	No	Yes
PHOTOCELL	No	No	No	Yes	No	No
PIR MOTION SENSOR	No	No	Yes	Yes	No	Yes
OVERALL DIMENSIONS	Ø63mm x 25mm	Ø63mm x 25mm	Ø63mm x 48.2mm	Ø63mm x 48.2mm	Ø55.2mm x 39.2mm	Ø66.3mm x 60mm
COLOR	White	Bronze	White	Bronze	Translucent	White
WEIGHT	1.47oz (42g)	1.47oz (42g)	1.92oz (55g)	1.92oz (55g)	1.25oz (35g)	1.92oz (55g)
CONNECTOR PORT	USB-C			Audio Jack 3.5mm		
OPERATING VOLTAGE	12-20VDC					
OPERATING CURRENT	max 35mA					
SINKING CURRENT	max 25mA					
CONTROL OUTPUT	0-10V (Linear)					
RADIO FREQUENCY	2.4GHz ± 75MHz					
WIRELESS STANDARD	BLE 4.2 MESH IEEE 802.15.1					
PROGRAMMING	c-Max Mobile App (IOS and Android)					
CYBERSECURITY	UL1376 Gold Rating					
ENCRYPTION	AES 128-bit					
MESH RANGE	100ft node-to-node and 50ft node-to-device (Commissioning)					
SAFETY	cULus Listed E511069 Light-emitting-diode Controllers					
FCC	FCC ID: 2AZRDCMAX2021					
BQB	D055367					
OPERATING TEMPERATURE	-40°F to 130°F / -40°C to 55°C					
IP RATING	IP66					



5-year standard warranty (further details available at www.maxlite.com/warranties) Product may be eligible for a warranty extension to 10 years, for an additional fee. Contact MaxLite for details.

Phone: 1-800-555-5629

Fax: 973-244-7333

Web: www.maxlite.com

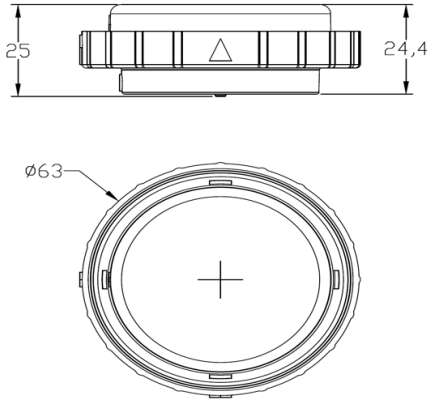
E-mail: info@maxlite.com

Rev: 02/28/23

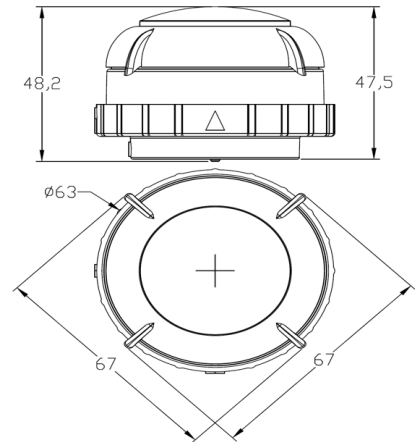
Round Network BLE Nodes & Sensors

Product Dimensions

NN-RDB AND NN-RDW

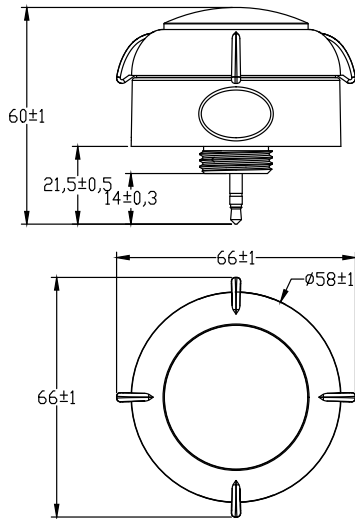


NN-RDMSW AND NN-RDMPB

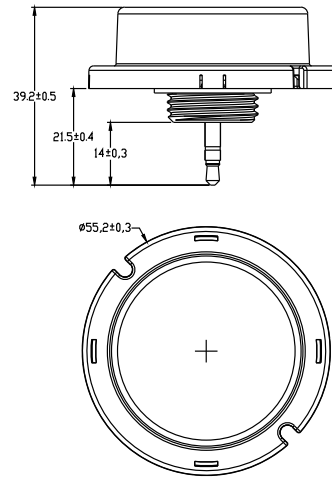


REQUIRES M1.5 ALLEN WRENCH

NNA-RDMSW



NNA-RDW

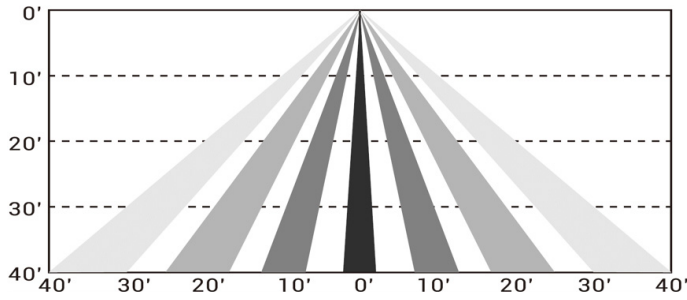


Round Network BLE Nodes & Sensors

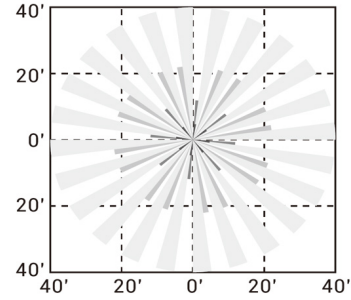
Sensor Detection Coverage

NN-RDMSW/NN-RDMPB/ NNA-RDMSW

SIDE VIEW



TOP VIEW



MOUNTING HEIGHT	ft (m)	10' (3)	20' (6)	30' (9.1)	40' (12.2)
MAX COVERAGE DIAMETER	ft (m)	20' (6)	40' (12.2)	60' (18.3)	80' (24.4)

Commissioning

c-Max mobile App makes it easy to pair devices, create groups, set scenes/schedules, customize dimming levels, and adjust high trim based on application needs.

Visit www.maxlite.com/cmax for How-to-Videos and a comprehensive commissioning guide.

