

PROJECT NAME: \_\_\_\_\_ CAT. #: \_\_\_\_\_  
 NOTES: \_\_\_\_\_ FIXTURE SCHEDULE: \_\_\_\_\_

## RECTANGULAR SILVAIR NETWORK BLE NODES AND SENSORS



NN-RTPSW-SL



NN-RTW-SL

### Overview:

c-Max Network Partners features additional networked lighting controls proposition that seamlessly combines MaxLite's broad c-Max controls ready luminaires with other technology partners control systems. This new wireless offering extends MaxLite's c-Max Lighting controls solutions to now include Silvair's Bluetooth NLC and DLC 5.0 qualified system featuring a globally interoperable lighting controls ecosystem. It features USB-C based sensors and nodes based on Bluetooth NLC open standards.

### Applications:

- Offices
- Hospitals
- Schools
- Warehouses
- Industrial
- Retail

### Features:

- Luminaire Level Lighting Control (LLLC) enabled with wireless Bluetooth NLC
- Simple "Plug-and-Play" Connection - Easy to install in the field with pre-installed USB-C receptacle in Maxlite Controls Ready luminaires
- Easy Commissioning with Silvair App (Available in iOS and Android)
- Local Bluetooth Network with no gateway needed
- Choice of different devices based on your desired functionality: Occupancy/Vacancy and Daylight Harvesting on select models
- Multi-level dimming: Manual ON/OFF Automatic ON/OFF, and Automatic Partial ON/OFF control capability
- Ability to create scenes for more customized dimming scenarios
- Time clock scheduling for individual lights, groups, or scenes
- High-Trim/Tuning sets the maximum light level based on customer requirements in each space
- Includes locking screw to resist vandalism and withstand vibration (Requires 2.5mm Allen wrench)
- Check <https://www.maxlite.com/cmax> for c-Max fixture compatibility
- 5 Year Warranty

### System Highlights:

- Designed to support large-scale installations deployed in commercial environments, offers powerful commissioning, fine-tuning, and everyday management features.
- Can add up to 8,000 devices to one project
- Silvair firmware provides enterprise-level reliability, scalability and security
- DLC NLC5 compliant with technology stack based on open wireless standards - Bluetooth NLC qualified
- Flexible access to data via in-app dashboards or API
  - Occupancy analytics and energy monitoring via Connected Lighting Services dashboard
  - Intuitive API including Occupancy, Scheduling, System monitoring and Remote control
- Intuitive web app and mobile app for easy commissioning and provisioning faster commissioning with Duplicate zone feature and ability to set zone profiles remotely
- Ability to link zones in an Area, perform OTA firmware updates via mobile app, or add gateway for advanced connected lighting services

### Ordering Information

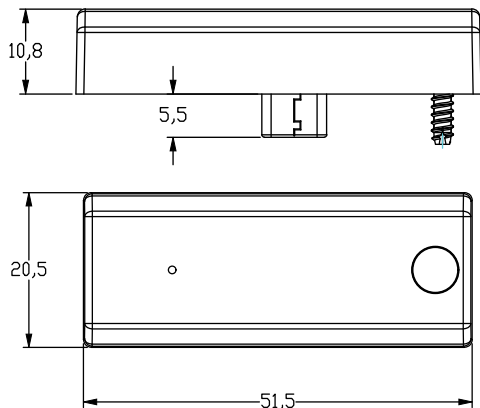
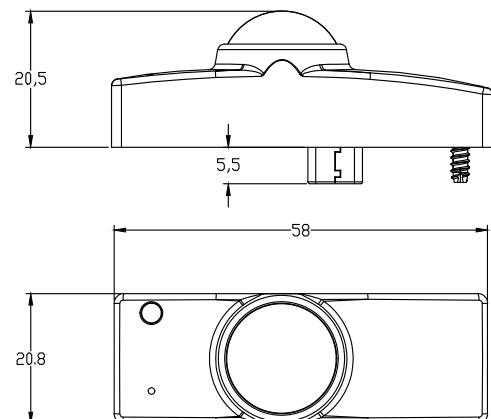
MODEL NUMBER	DESCRIPTION	UPC	ORDER CODE
NN-RTW-SL	NETWORK NODE RECTANGULAR, (SILVAIR), WHITE	767627058530	111148
NN-RTPSW-SL	NETWORK NODE RECTANGULAR, PIR MOTION SENSOR/ DAYLIGHT HARVESTING (SILVAIR), WHITE	767627051371	110431

# RECTANGULAR SILVAIR NETWORK BLE NODES AND SENSORS

## Specifications

	NN-RTW-SL	NN-RTPSW-SL
BLE CONTROL NODE	Yes	Yes
DAYLIGHT HARVESTING	No	Yes
PIR MOTION SENSOR	No	Yes
DETECTION MODE	N/A	Occupancy/Vacancy
OVERALL DIMENSIONS	51.5mm x 20.5 mm x 10.8 mm	58 mm x 20.8 mm x 20.5 mm
WEIGHT	0.35oz	0.45oz
CONNECTOR PORT	USB-C	
OPERATING VOLTAGE	12Vdc	
OPERATING CURRENT	max 15mA	
SINKING CURRENT	max 25mA	
CONTROL OUTPUT	Analog 0-10V (Linear)	
FACTORY RESET	Magnetic Reset	
STATUS INDICATORS	Green (Network Status), Red (Sensor Detection)	
RADIO FREQUENCY	2.4GHz ± 75MHz	
WIRELESS STANDARD	Bluetooth NLC v2.30+	
PROGRAMMING	Silvaire App iOS and Android	
CYBERSECURITY	ioXt Certified	
MESH RANGE	100ft node-to-node and 50ft node-to-device (Commissioning)	
SAFETY	cULus Listed E511069 Light-emitting-diode Controllers	
FCC	47 CFR Part 15, Subpart C 15.247	
BQB	D066483	
OPERATING TEMPERATURE	-40°F to 130°F / -40°C to 55°C	
COLOR	WHITE	

## Product Dimensions

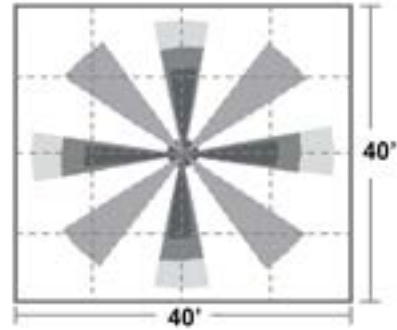
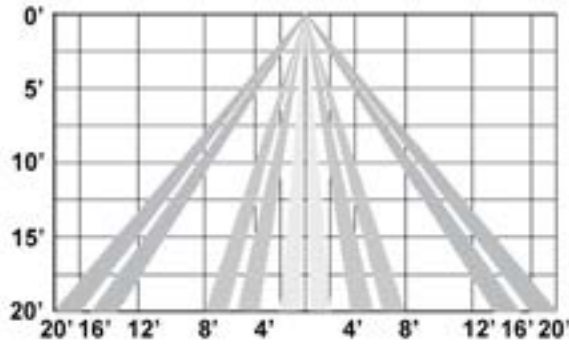
**NN-RTW-SL**

**NN-RTPSW-SL**


REQUIRES M2.5 ALLEN WRENCH

# RECTANGULAR SILVAIR NETWORK BLE NODES AND SENSORS

## Sensor Detection Coverage

NN-RTPSW-SW



<b>MOUNTING HEIGHT</b>	ft (m)	8' (2.4)	10' (3)	15' (4.6)	20' (6.1)
<b>MAX COVERAGE DIAMETER</b>	ft (m)	16' (4.9)	20' (6.1)	30' (9.1)	40' (12.1)

Technology Partner

# SILVAIR

Silvaair provides a reliable lighting control technology based on the globally interoperable Bluetooth mesh standard. Whether you are a component manufacturer, a facility manager, or an energy service company, you can easily deploy our solutions to strengthen your competitive advantage and create new revenue streams.

## Commissioning tools for installers

Advanced strategies have never been easier

We provide intuitive apps for standard-compliant Bluetooth mesh lighting networks. Designed to support large-scale installations deployed in commercial environments, they offer powerful commissioning, fine-tuning, and everyday management features. The bottom line is faster ROI, shortened path to advanced control strategies, and facilitated compliance with building energy codes.

